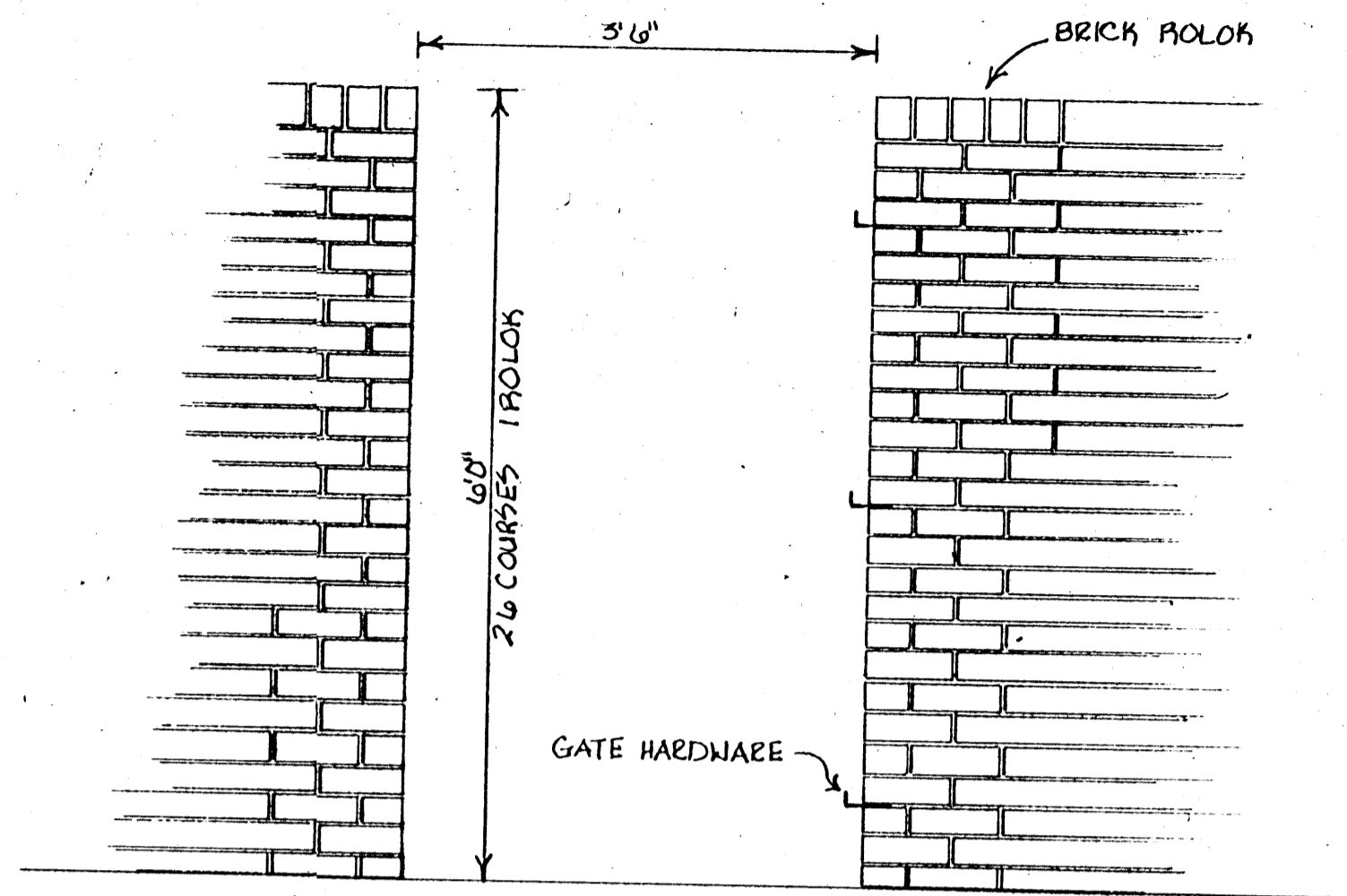
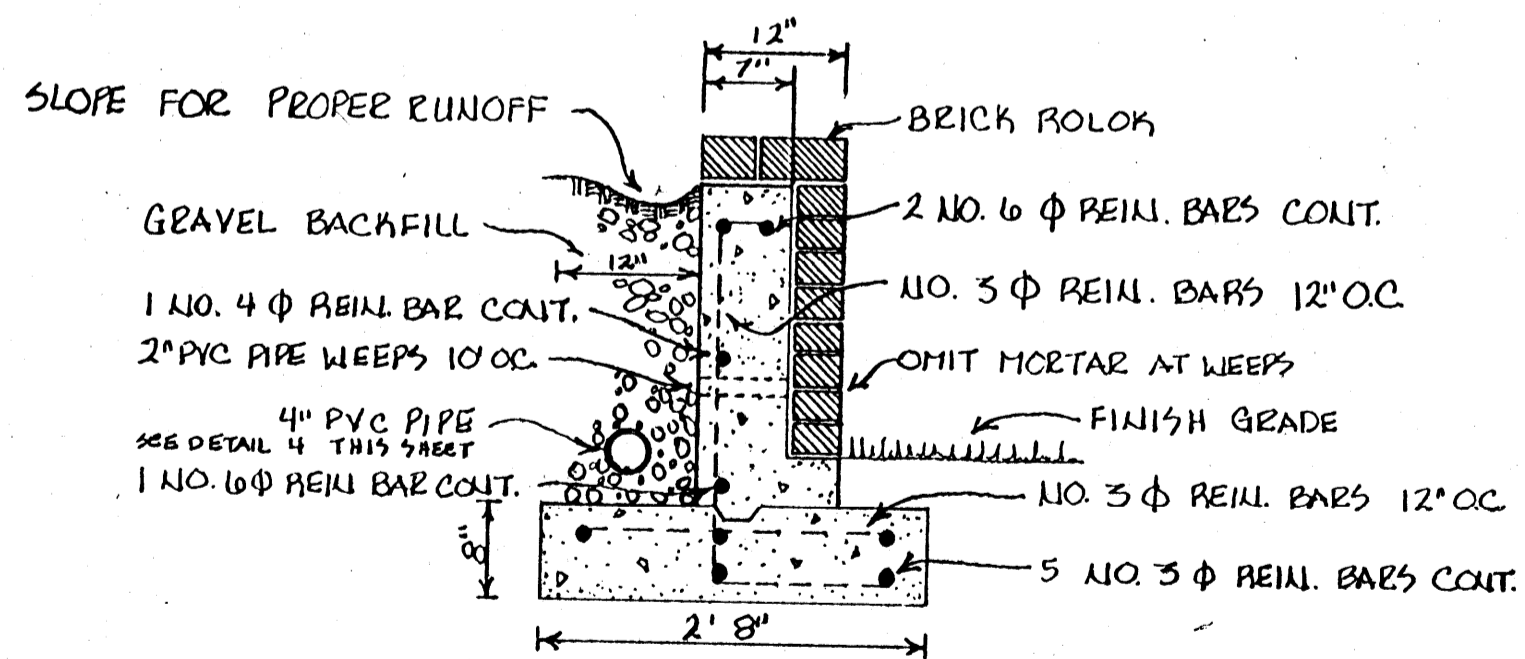


SECTION - FREE STANDING BRICK WALL 1  
SCALE 3/4" = 1' 0"



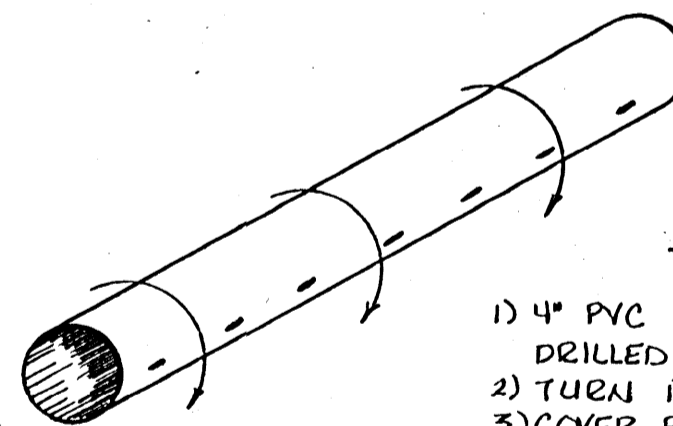
ELEVATION - FREESTANDING BRICK WALL W / OPENING 2  
SCALE 3/4" = 1' 0"

NOTE: 1) GATE HARDWARE WILL DEPEND ON STYLE OF GATE TO BE USED. THIS SHOULD BE DECIDED BEFORE WALL IS BUILT.  
2) SOLID WALLS THAT ARE OVER 3' IN HEIGHT SHOULD NOT BE BUILT IN WIND BELT AREAS. PIERCED WALLS SHOULD BE USED.



SECTION - RETAINING WALL 3  
SCALE 3/4" = 1' 0"

NOTE: THIS SPECIFICATION IS FOR A WALL UP TO 3' IN HEIGHT. ANY WALL OVER THIS HEIGHT SHOULD USE CUSTOM ENGINEERED SPECIFICATIONS.



DRAIN PIPE DETAIL 4

- 1) 4" PVC PIPE W/ 12" TO 34" HOLES DRILLED 12" APART IN A SINGLE LINE.
- 2) TURN PIPE SO HOLES ARE ON BOTTOM.
- 3) COVER PIPE W/ 3 MIL PLASTIC TO PREVENT INFILTRATION OF SOIL PARTICLES, TRASH, ETC.
- 4) BACK FILL WITH COARSE GRAVEL.



PL. NO. 8020	
<b>RETAINING WALL DETAILS</b>	
DESIGN BY J. PERRY	SHEET 1
DRAWN BY D. SHURLEY	OF 1
DATE 5/1980	