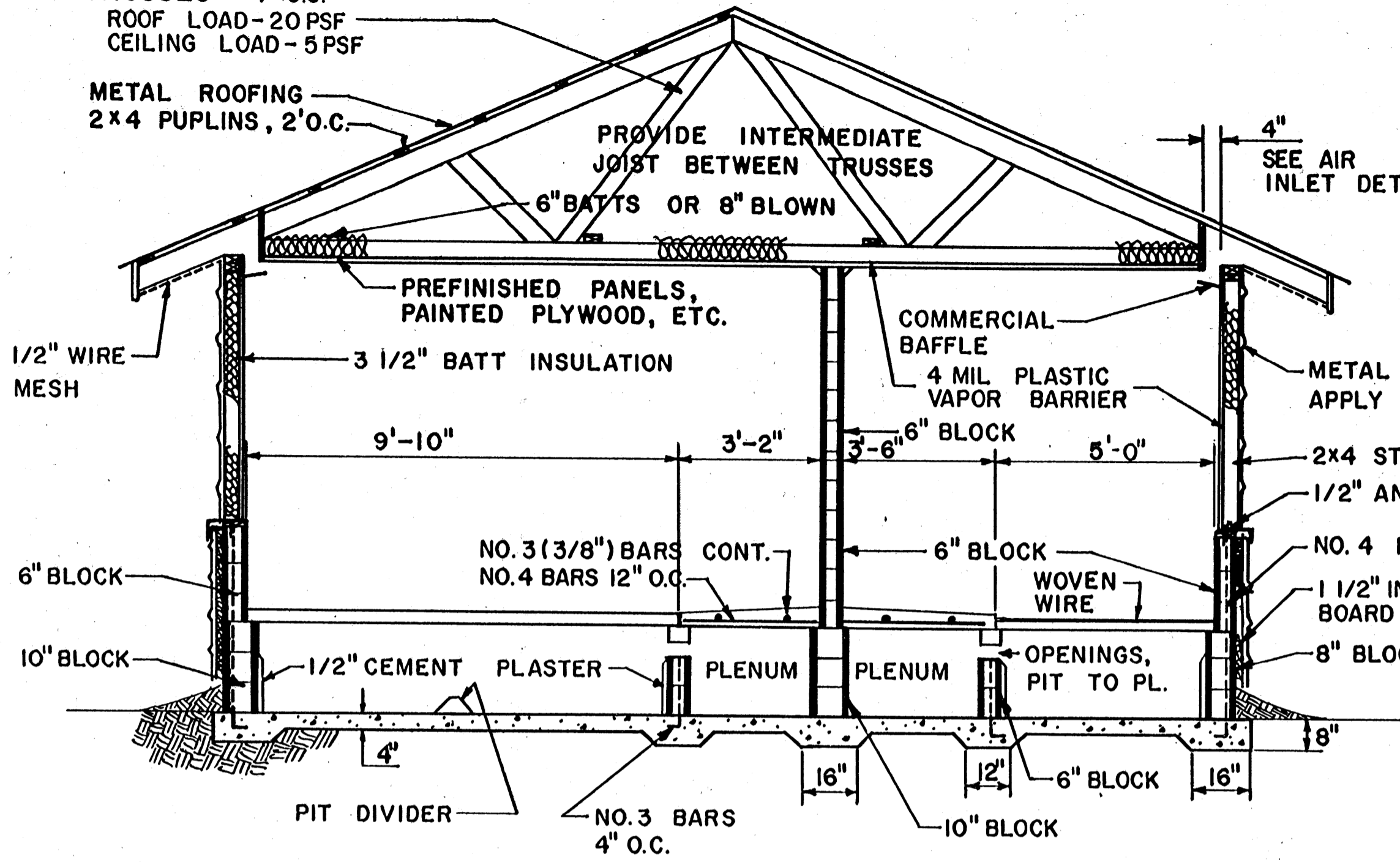
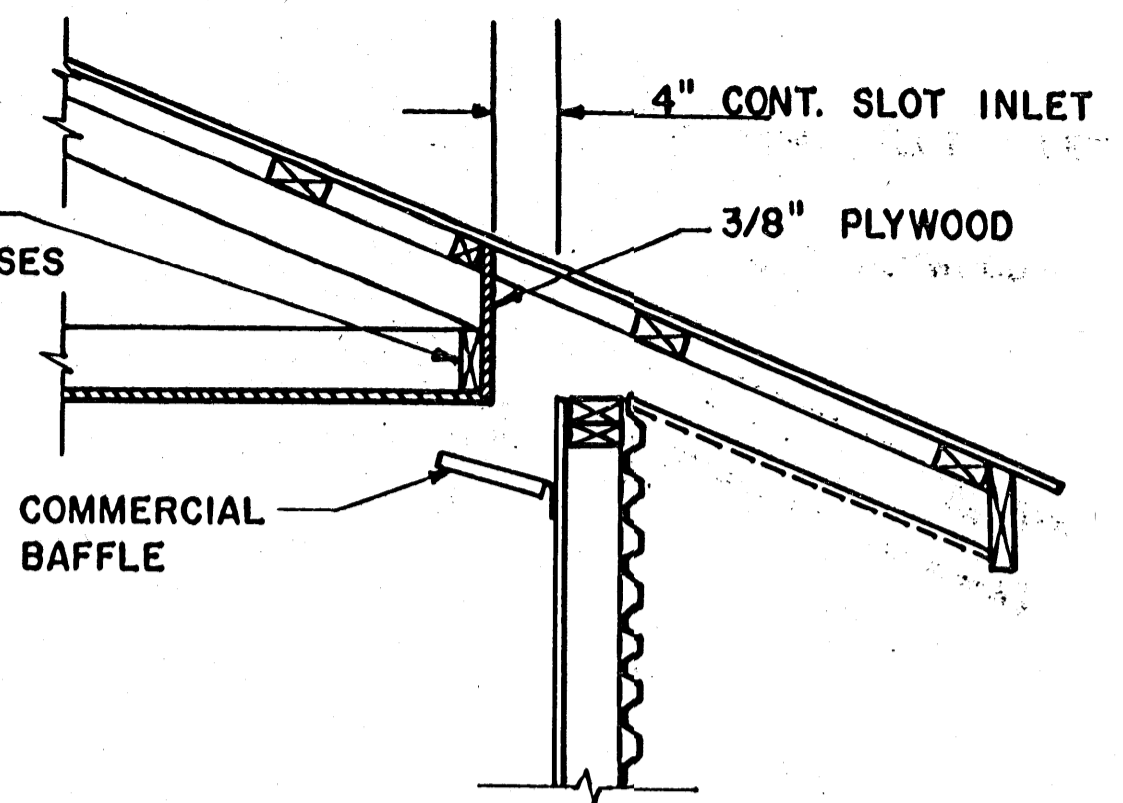


TRUSSES 4' O.C.  
 ROOF LOAD - 20 PSF  
 CEILING LOAD - 5 PSF

METAL ROOFING  
 2x4 PUPLINS, 2' O.C.



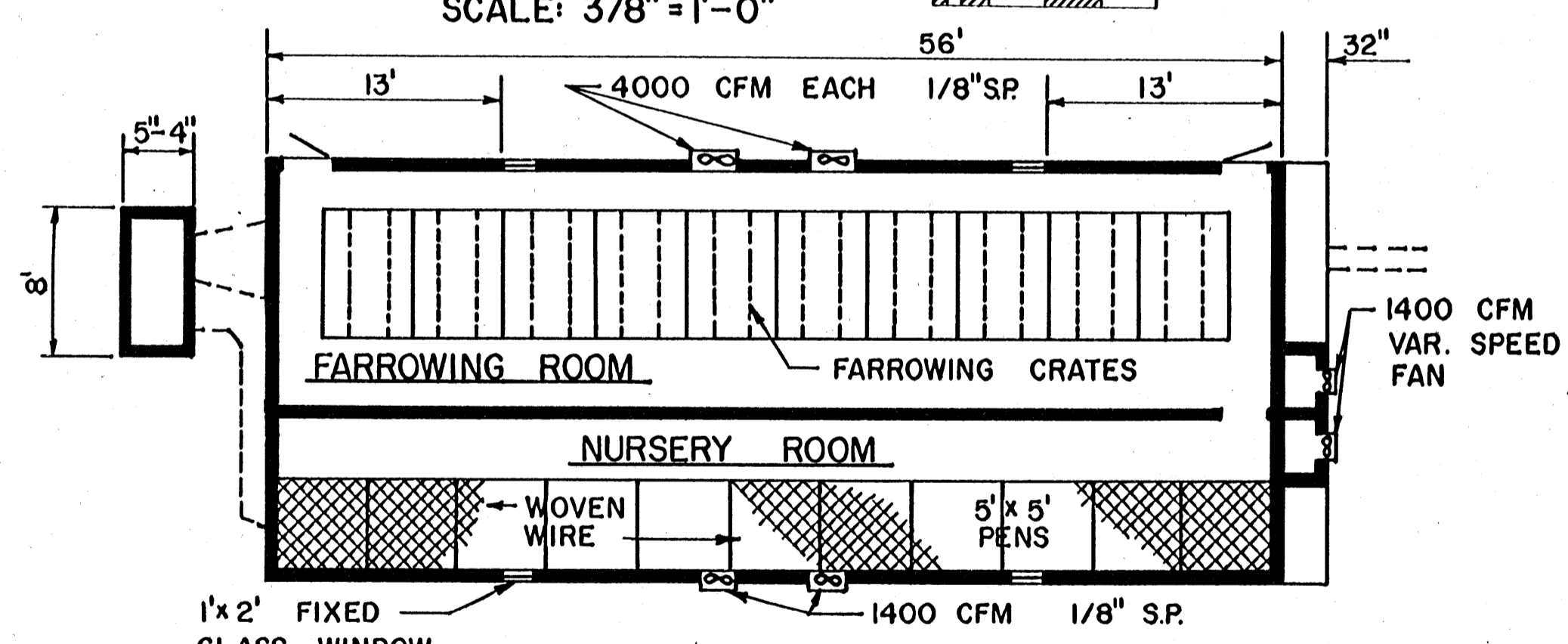
**TYPICAL SECTION**  
 SCALE: 3/8" = 1'-0"



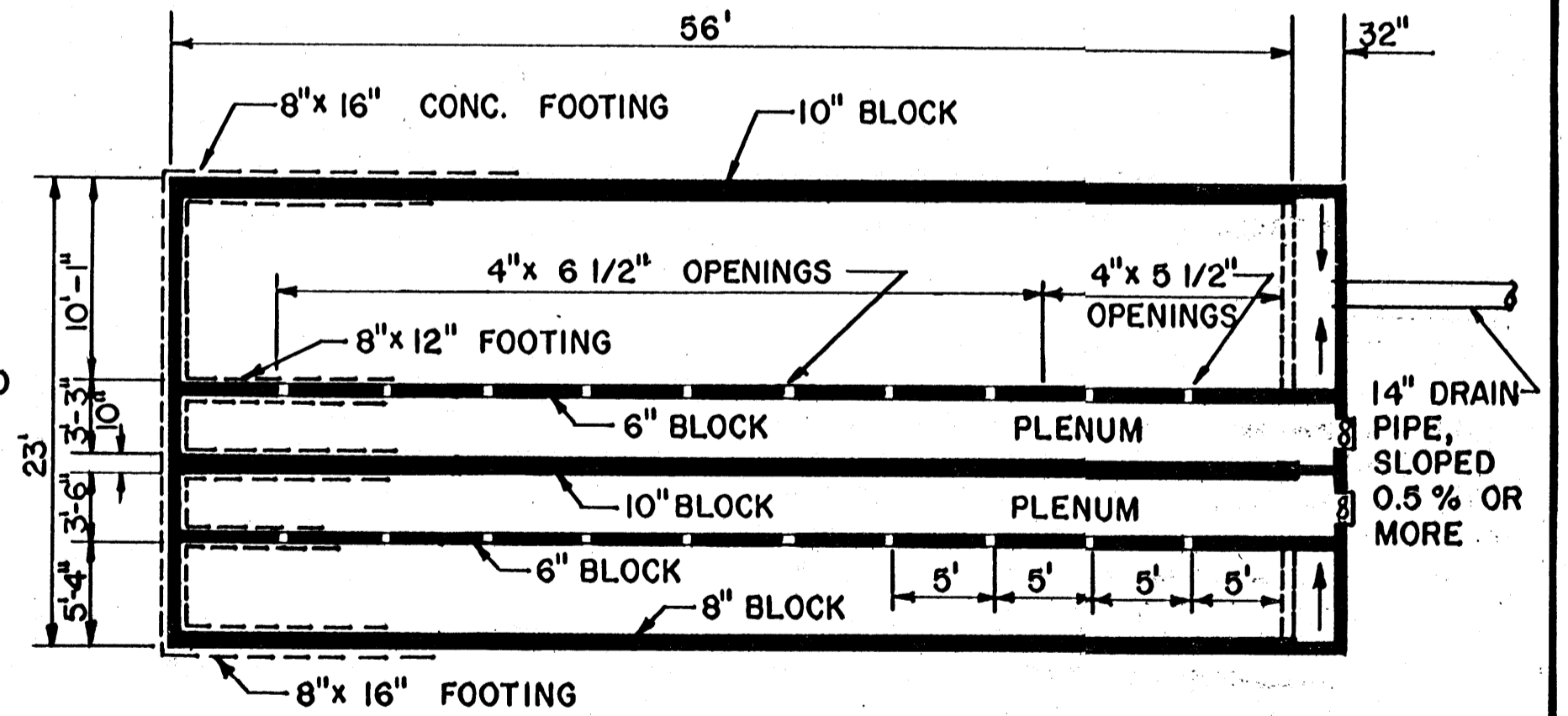
**AIR INLET DETAIL**

NOT TO SCALE

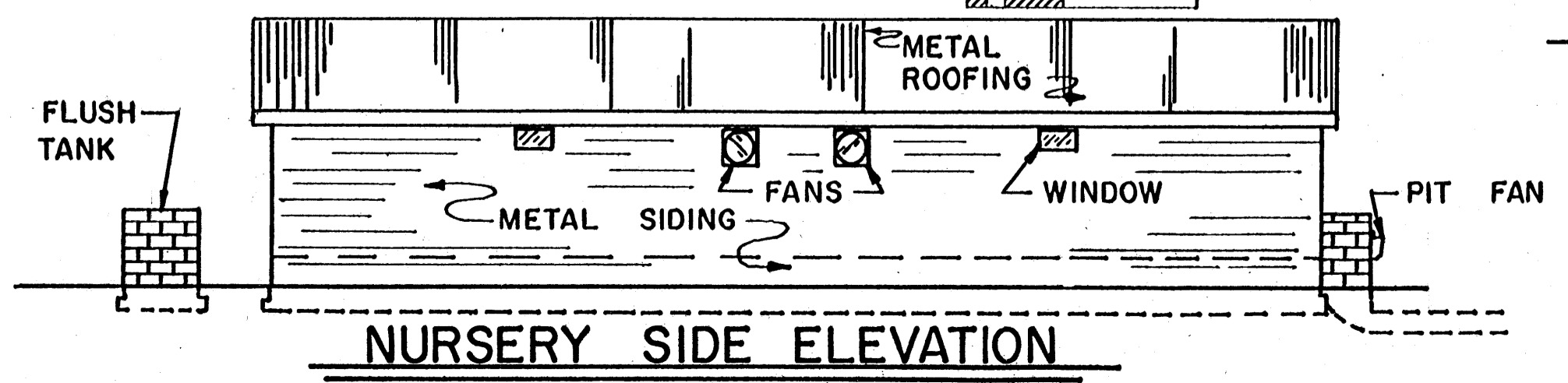
NOTE:  
 GRADE SITE AND CONSTRUCT BUILDING ON 2% SLOPE.



**FLOOR PLAN - SLOPE BLDG. 2%**  
 SCALE: 1/8" = 1'-0"



**FOUNDATION PLAN**  
 SCALE: 1/8" = 1'-0"



**NURSERY SIDE ELEVATION**

NOTE:  
 THIS BUILDING IS DESIGNED FOR A FOUR GROUP PRODUCTION SCHEDULE. SOWS FARROW EVERY 37 DAYS AND PIGS ARE WEANED AT 30 DAYS OF AGE AND MOVED INTO NURSERY UNTIL 65 DAYS OF AGE.

THOROUGHLY CLEAN EACH ROOM BETWEEN GROUPS.

COOPERATIVE EXTENSION SERVICE AGRICULTURE AND HOME ECONOMICS STATE OF MISSISSIPPI MISSISSIPPI STATE UNIVERSITY AND UNITED STATES DEPARTMENT OF AGRICULTURE COOPERATING		
<b>10 CRATE FARROWING AND NURSERY - FLUSH UNDER SLATS</b>		
NC '85	6372	SHEET 1 OF 1