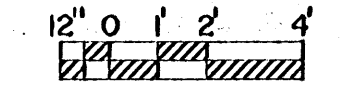


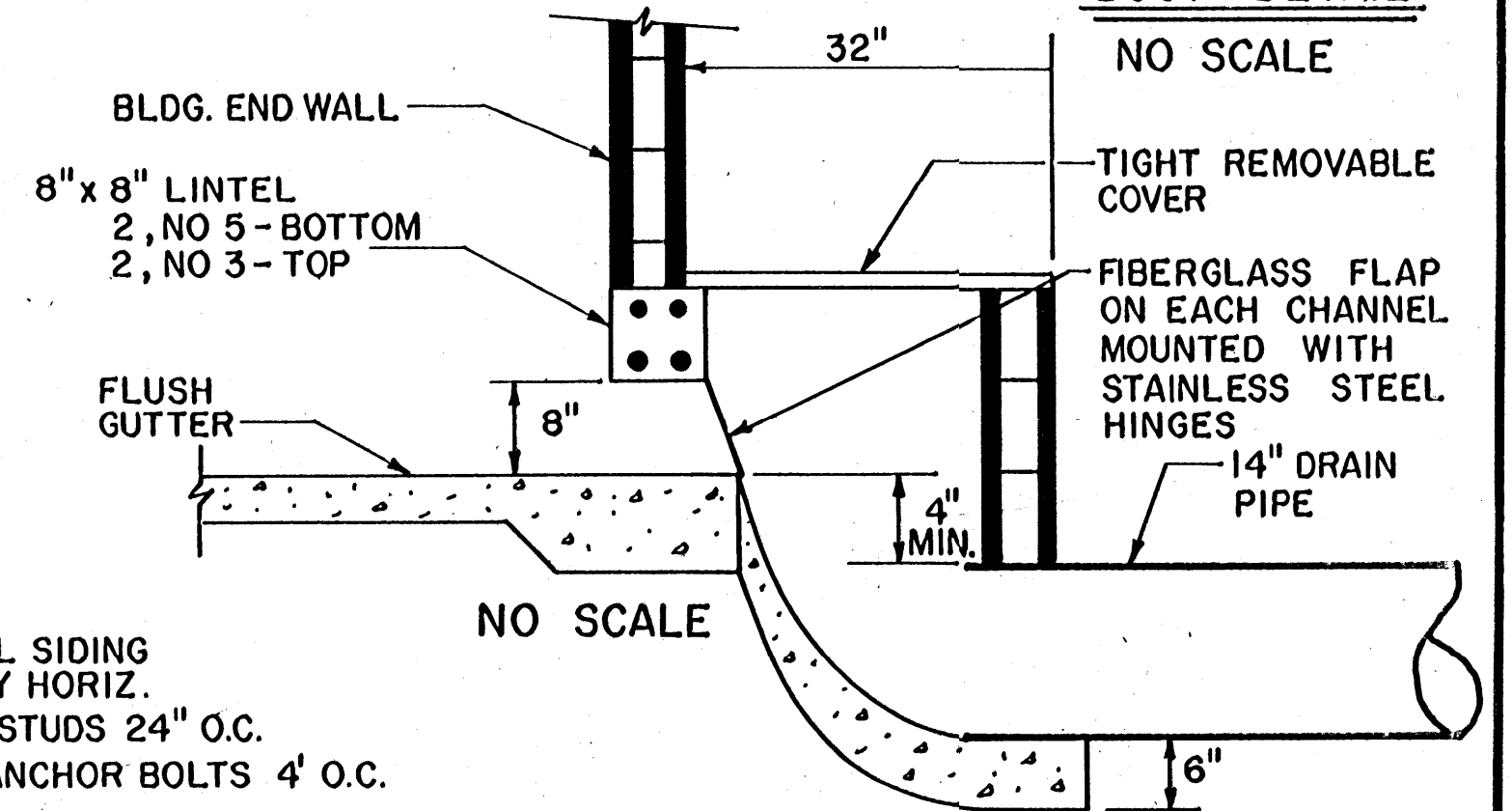
FLOOR PLAN - SLOPE BLDG 2%

SCALE: 1/4" = 1'-0"



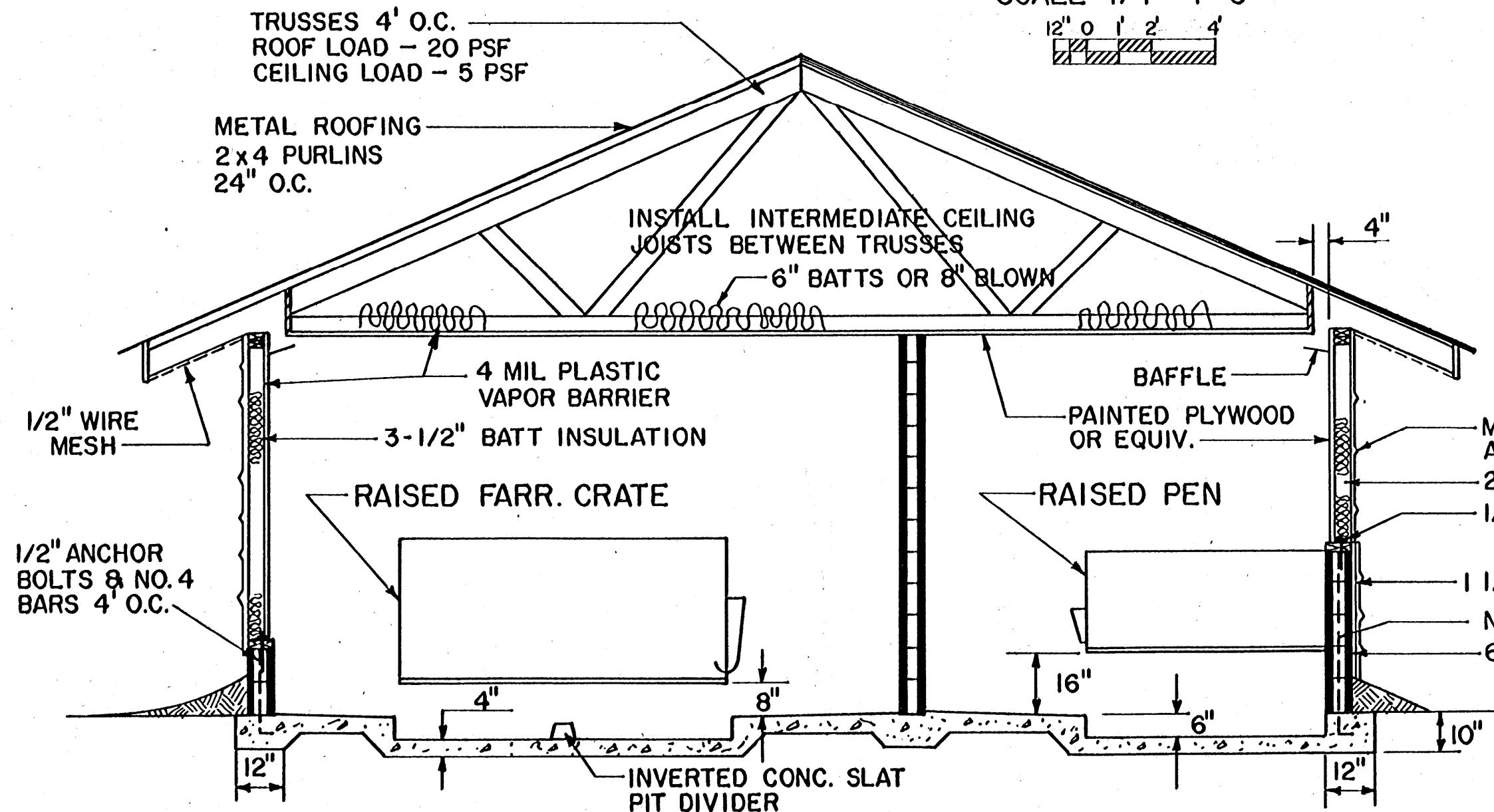
DUCT DETAIL

NO SCALE



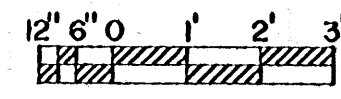
GUTTER DRAIN DETAIL

NO SCALE



TYPICAL SECTION

SCALE: 3/8" = 1'-0"



NOTE:
THIS BUILDING IS DESIGNED FOR A FOUR GROUP PRODUCTION SCHEDULE. SOWS FARROW EVERY 37 DAYS AND PIGS ARE WEANED AT 30 DAYS OF AGE AND MOVED INTO NURSERY UNTIL 65 DAYS OF AGE.

COOPERATIVE EXTENSION SERVICE
 AGRICULTURE AND HOME ECONOMICS
 STATE OF MISSISSIPPI
 MISSISSIPPI STATE UNIVERSITY,
 AND
 UNITED STATES DEPARTMENT OF AGRICULTURE COOPERATING

10 CRATE FARROWING AND NURSERY WITH RAISED PENS

NC '85	6371	SHEET 1 OF 1
--------	------	--------------