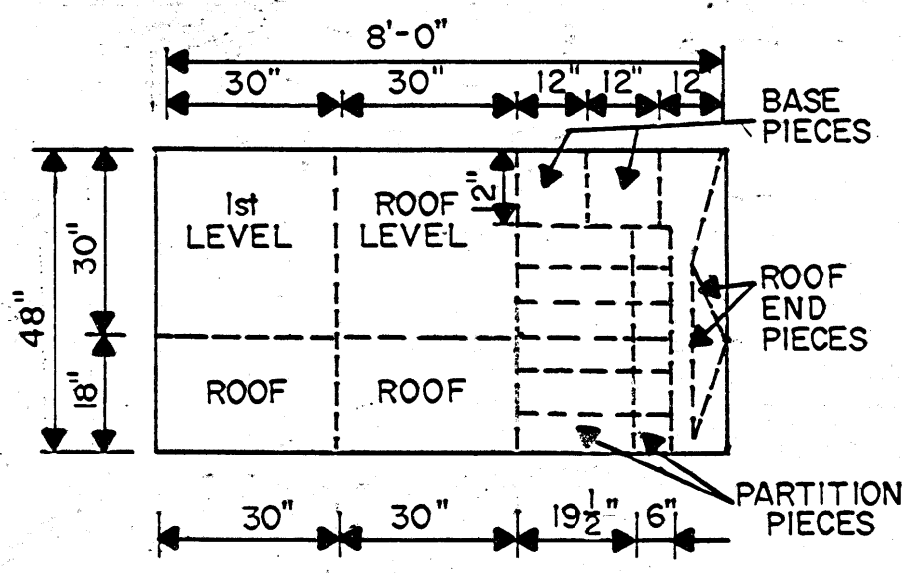
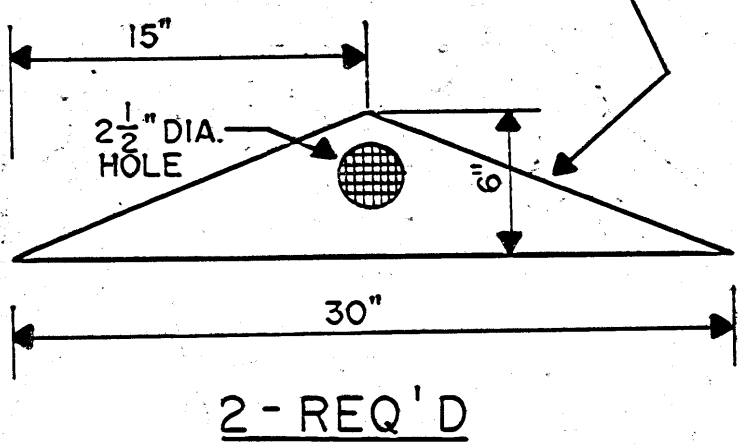


SEE FRONT ELEVATION BELOW

**ROOF DETAILS**

**VIEW OF TWO LEVEL BIRDHOUSE**

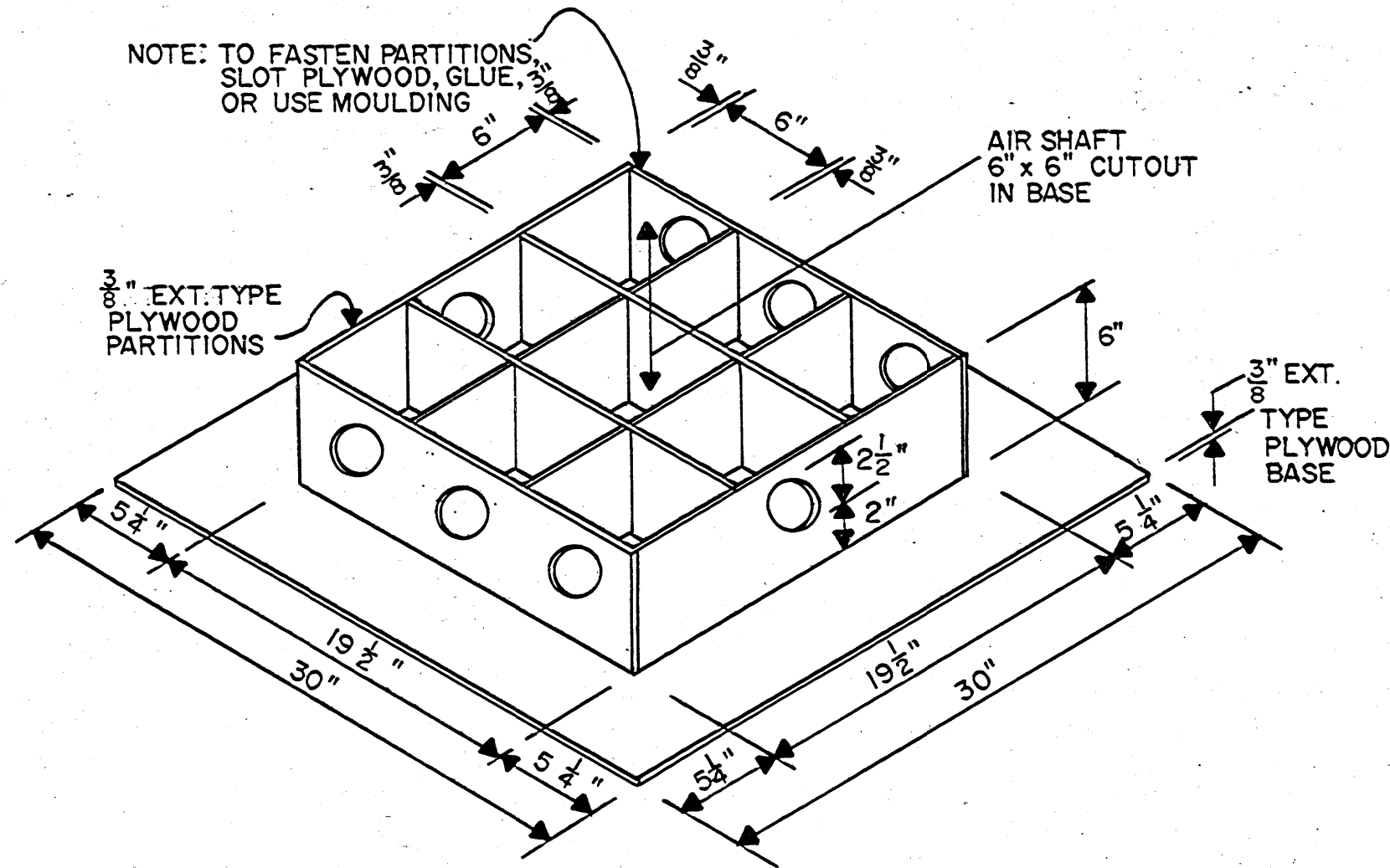


**PLYWOOD CUTTING DIAGRAM FOR ONE LEVEL BIRDHOUSE**

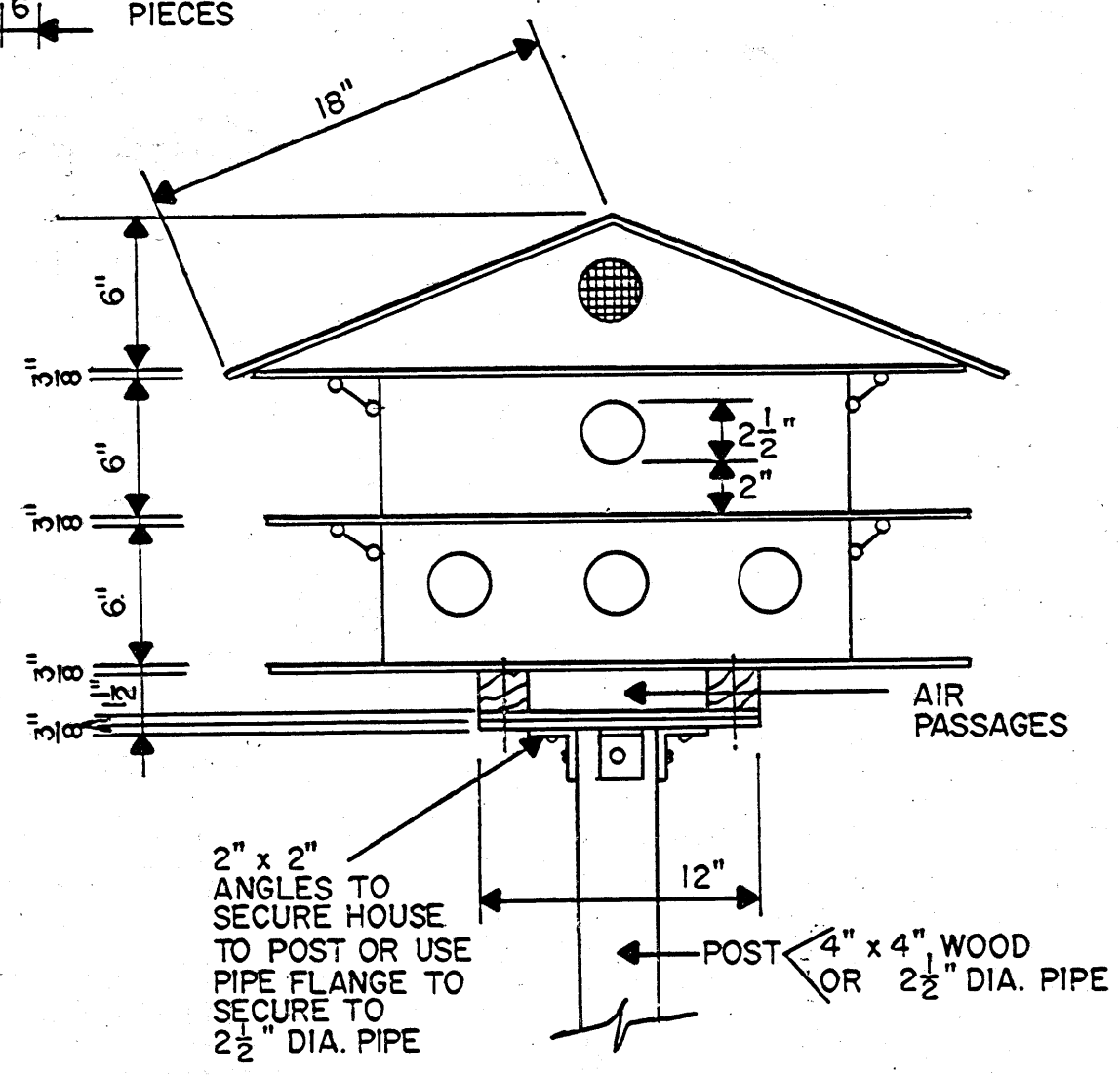
0 1" 4" 9" 12" SCALE 1/8"=1"  
UNLESS OTHERWISE NOTED

3/8" EXT. TYPE PLYWOOD  
12" 6" 0 1" 2" 3" SCALE 3/8"=1'-0"

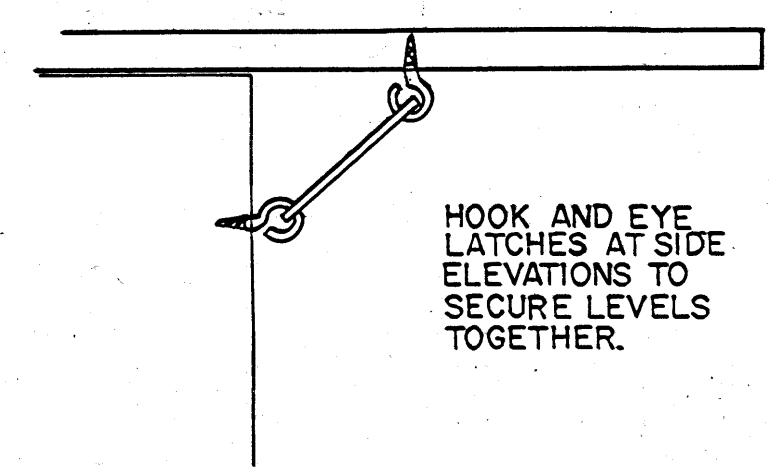
NOTE: TO FASTEN PARTITIONS, SLOT PLYWOOD, GLUE, OR USE MOULDING



**DETAILS OF ONE LEVEL**



**FRONT ELEVATION**



**DETAIL FOR LATCHES**

NOTE: 1. LOCATE NEAR AREA NEEDING INSECT CONTROL.  
2. HEIGHT ABOVE GROUND IS 15'-20'.

COOPERATIVE EXTENSION WORK IN  
AGRICULTURE AND HOME ECONOMICS  
STATE OF MISSISSIPPI  
MISSISSIPPI STATE UNIVERSITY  
AND  
UNITED STATES DEPARTMENT OF AGRICULTURE COOPERATING

**PURPLE MARTIN BIRDHOUSE**

NJ' 69    EX. 6344    SHEET | OF |