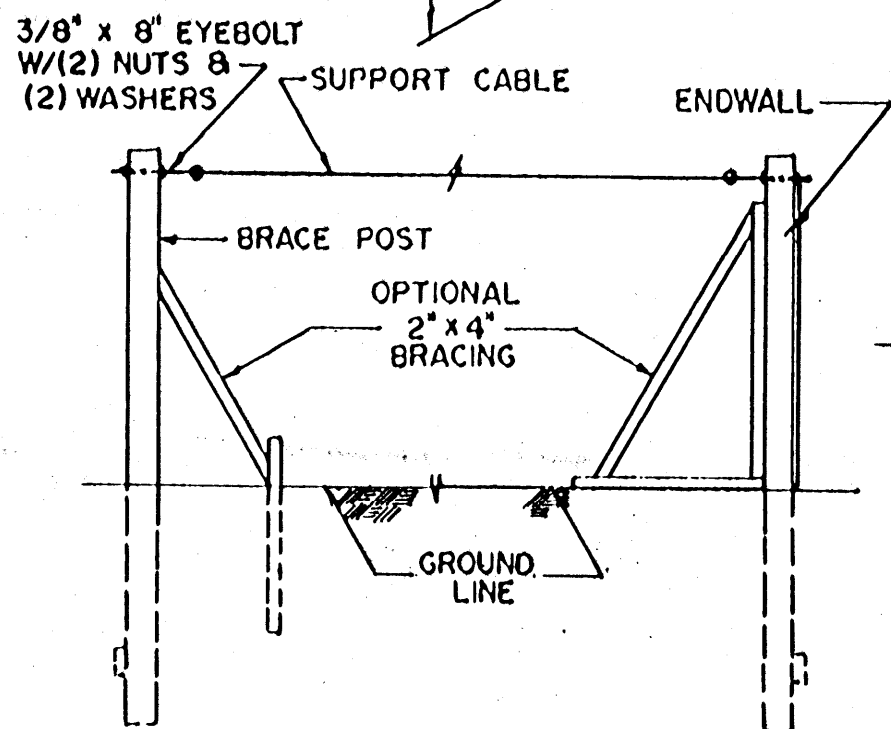
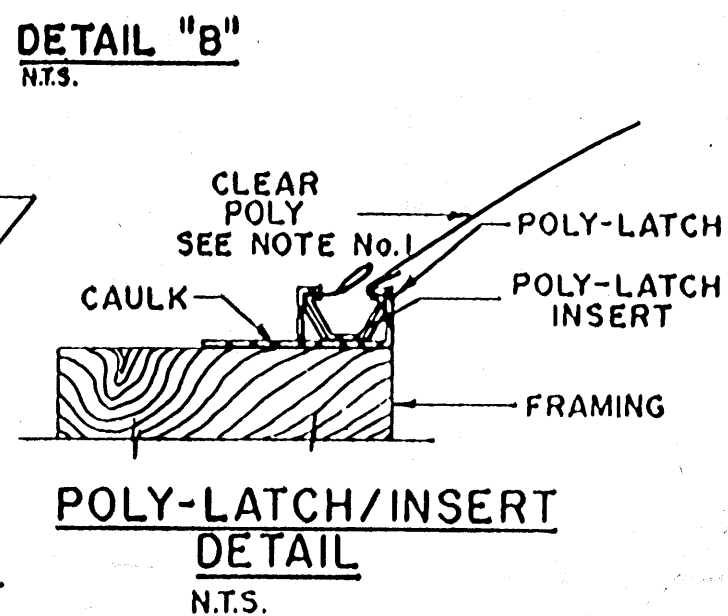
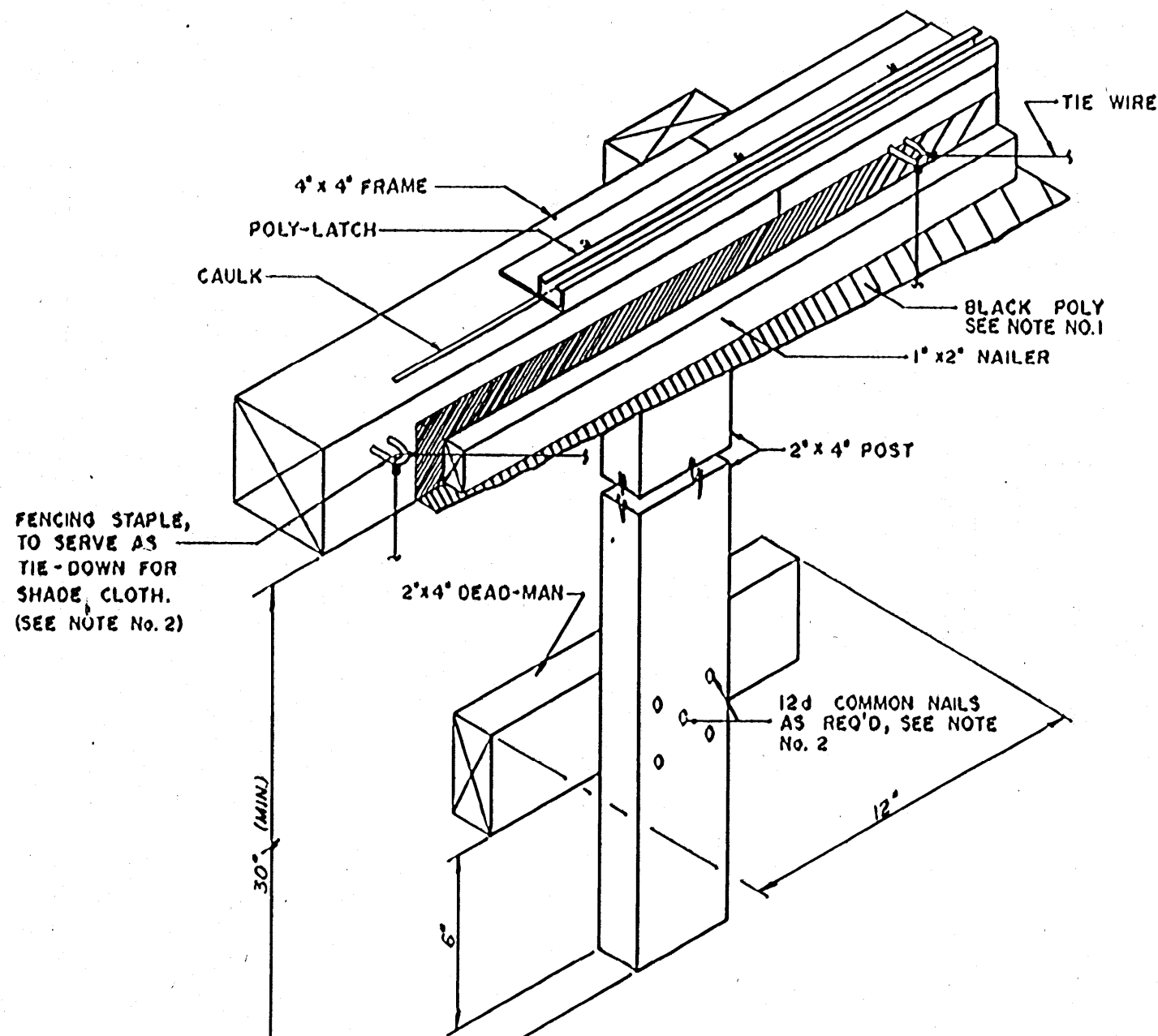
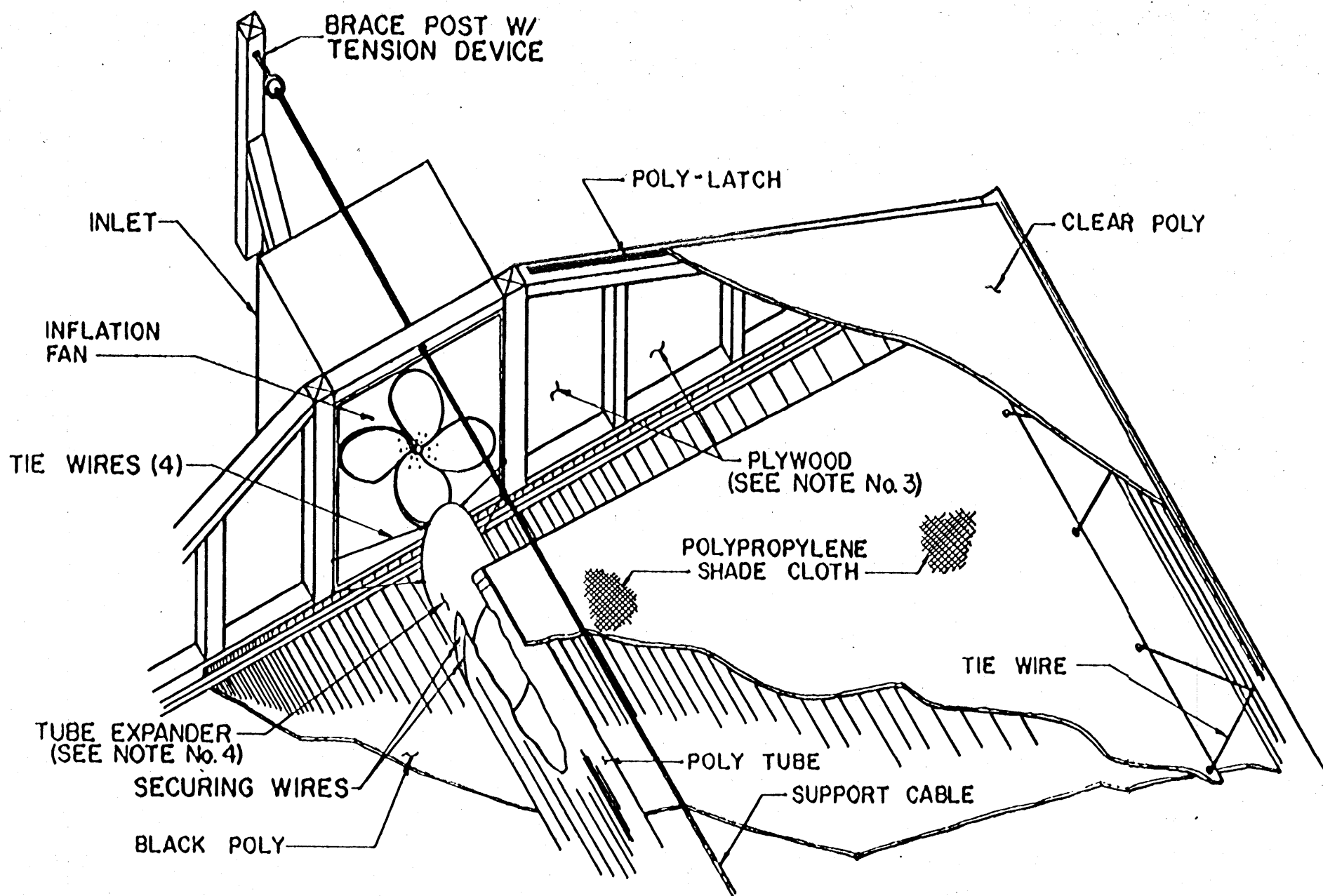
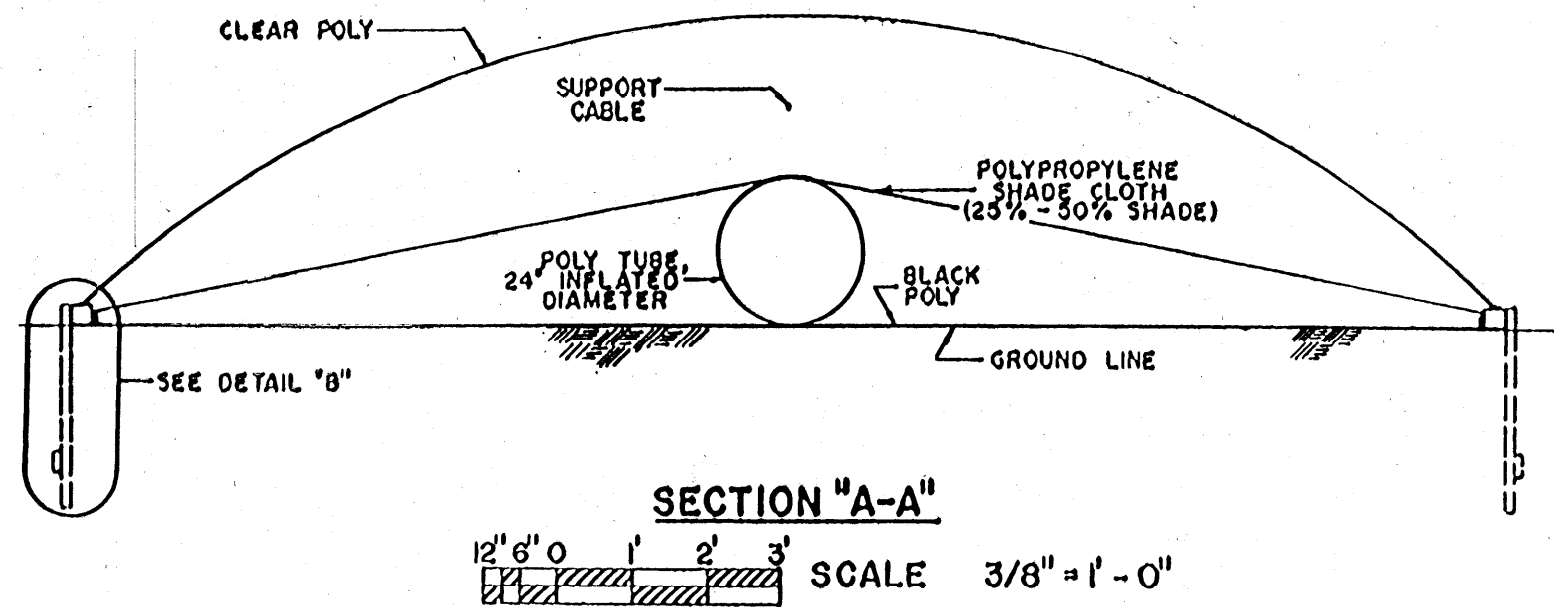


COOPERATIVE EXTENSION SERVICE
AGRICULTURE AND HOME ECONOMICS

AND
UNITED STATES DEPARTMENT OF AGRICULTURE COOPERATING

**LOW COST SOLAR COLLECTOR
FOR GRAIN DRYER**

FL '80	6341	SHEET 1 OF 2
REV. '88		



NOTES:

1. ALL POLY SHALL BE FOLDED AS TO PROVIDE DOUBLE THICKNESS AT POINTS OF ATTACHMENT.
2. ALL NAILS AND STAPLES SHALL BE HOT-DIP GALVANIZED.
3. PLYWOOD SHALL BE GLUED AND NAILED TO PROVIDE SEAL.
4. TUBE EXPANDER MAY BE ANY CIRCULAR ITEM HAVING A 24" DIAMETER. PURPOSE IS TO HOLD THE MOUTH OF THE POLY TUBE OPEN FOR INFLATION.
5. ALL BUTT JOINTS ON FRAMING SHALL BE CAULKED OR OTHERWISE SEALED.
6. ALL 4"x4" FRAMING JOINTS SHALL BE AT CENTER-LINE OF POSTS. SEE DETAIL "B" THIS SHEET.
7. ALL FRAMING, BRACES AND POSTS SHALL BE NEW PRESSURE TREATED LUMBER.
8. ALL PLYWOOD SHALL BE 1/2", EXTERIOR GRADE.
9. DUE TO POOR SOIL CONDITIONS, OPTIONAL BRACING MAY BE DESIRED.

BILL OF MATERIALS

ITEM No.	QUANT.	DESCRIPTION
1.	29	4"x4" P.T., 8' LENGTH (FRAMING)
* 2.	4	4"x4" P.T., 6' LENGTH (POSTS)
3.	8	2"x4" P.T., 12' LENGTH (ENDWALLS BRACING & FRAMING)
4.	9	2"x4" P.T., 12' LENGTH (POSTS & DEADMEN)
5.	232 L.F.	1" x 2" P.T., (NAILER STRIP)
6.	4	4" x 8" x 1/2" EXTERIOR PLYWOOD
7.	240 L.F.	POLY-LATCH W/INSERT (CAVE ENTERPRISES, INC. OR EQUAL)
8.	100 L.F.	24" WIDE, 6 mil BLACK POLYETHYLENE
9.	94 L.F.	18" WIDE SHADE CLOTH (25% - 50% SHADE W/ GROMMETS at 2' O.C.)
10.	96 L.F.	24" DIAMETER POLY-TUBE
11.	100 L.F.	24" WIDE, 6 mil CLEAR POLYETHYLENE (MONSANTO 603 OR EQUAL)
12.	110 L.F.	1/8" DIAMETER TENSION CABLE (PLASTIC COATED)
13.	2	3/8" EYEBOLT, 8" W/EXTRA THREAD
14.	220 L.F.	TIE WIRE, SIZE AS REQUIRED
15.	As Req'd	12d COMMON NAILS (SEE NOTE No. 2)
16.	As Req'd	8d COMMON NAILS (SEE NOTE No. 2)
17.	As Req'd	1-1/2" (MIN.) FENCE STAPLES (SEE NOTE No. 2)
18.	As Req'd	No. 8 WOOD SCREWS 1-1/4" LENGTH
* 2a.	1	4"x4" P.T., 6' LENGTH (OPTIONAL BRACE)

COOPERATIVE EXTENSION SERVICE
AGRICULTURE AND HOME ECONOMICS

AND
UNITED STATES DEPARTMENT OF AGRICULTURE COOPERATING

**LOW COST SOLAR COLLECTOR
FOR GRAIN DRYER**

FL '80	6341	SHEET 2 OF 2
REV. '88		