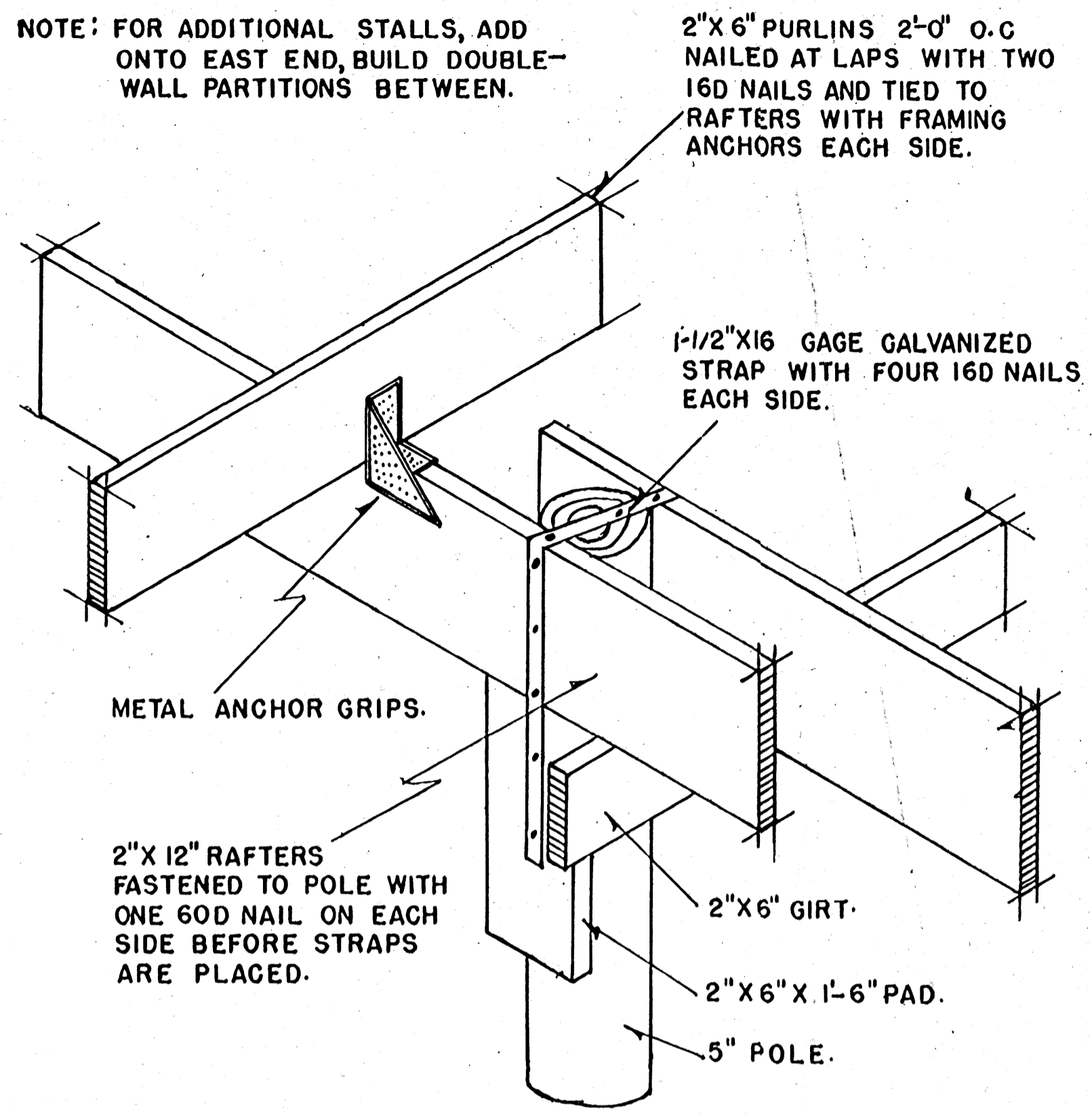
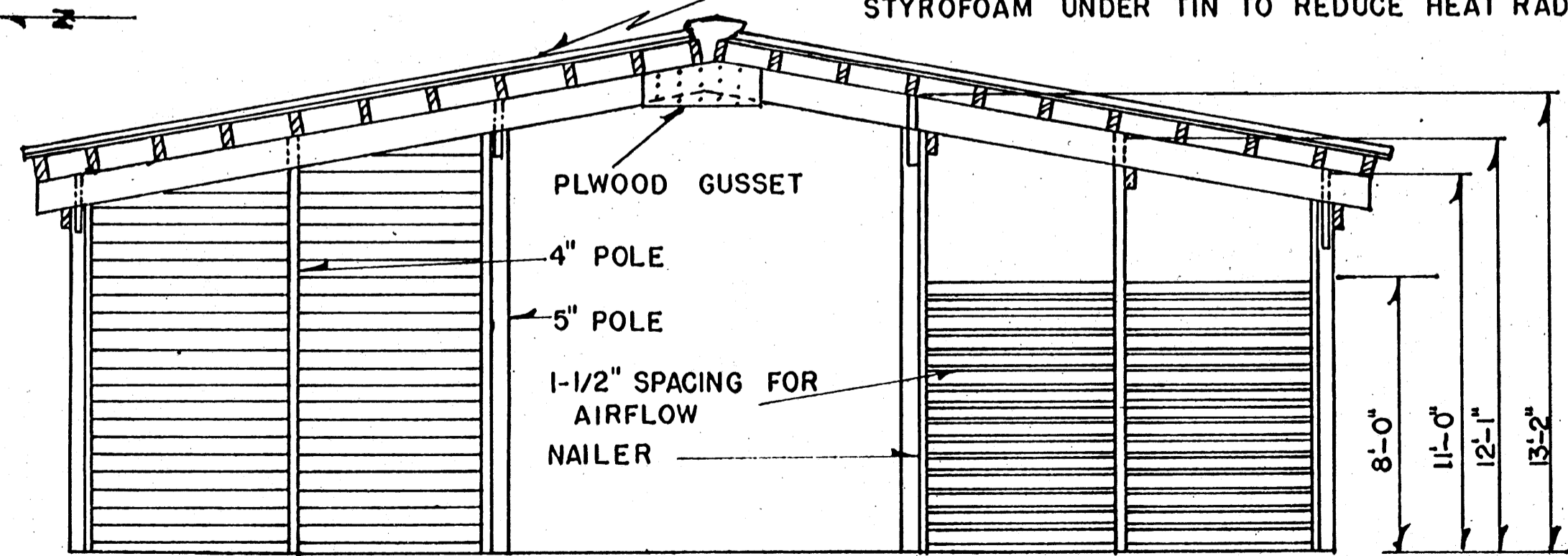


PLAN
 SCALE 1/4" = 1'-0"
 0' 12" 1' 2' 4' 6' 8'



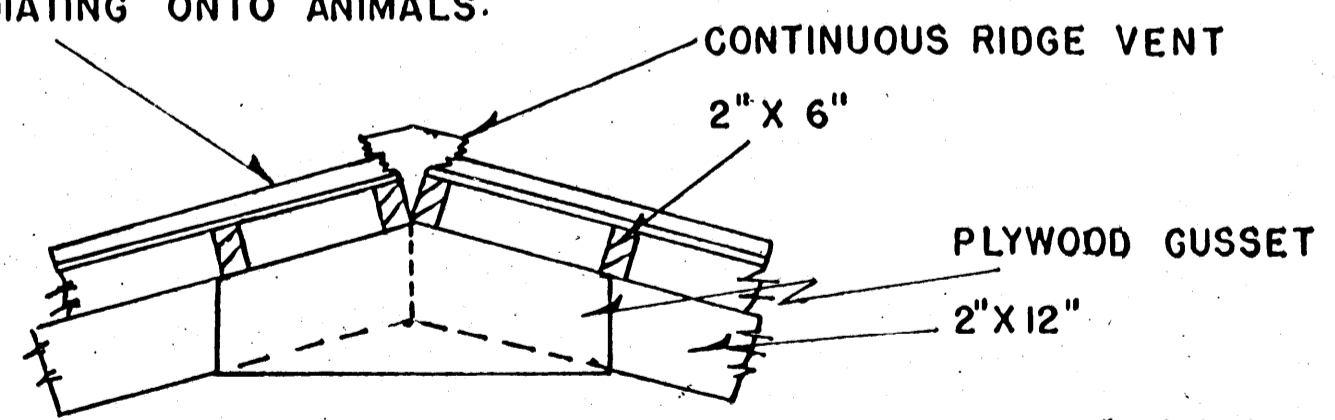
DETAIL
 SCALE 1/8" = 1'-0"
 12" 0 2 4 6 8 12

26 GAGE GALVANIZED METAL
 USE WHITE ROOF COATING ON TOP AND EQUIVALENT OF 1/2"
 STYROFOAM UNDER TIN TO REDUCE HEAT RADIATING ONTO ANIMALS.



WEST ELEVATION
 SCALE 1/4" = 1'-0"

POLE HEIGHTS



RIDGE DETAIL
 SCALE 1/2" = 1'-0"
 12" 6" 0 1 2

0' 12" 1' 2' 4' 6' 8'
 SCALE: 1/4" = 1'-0" UNLESS OTHERWISE NOTED.

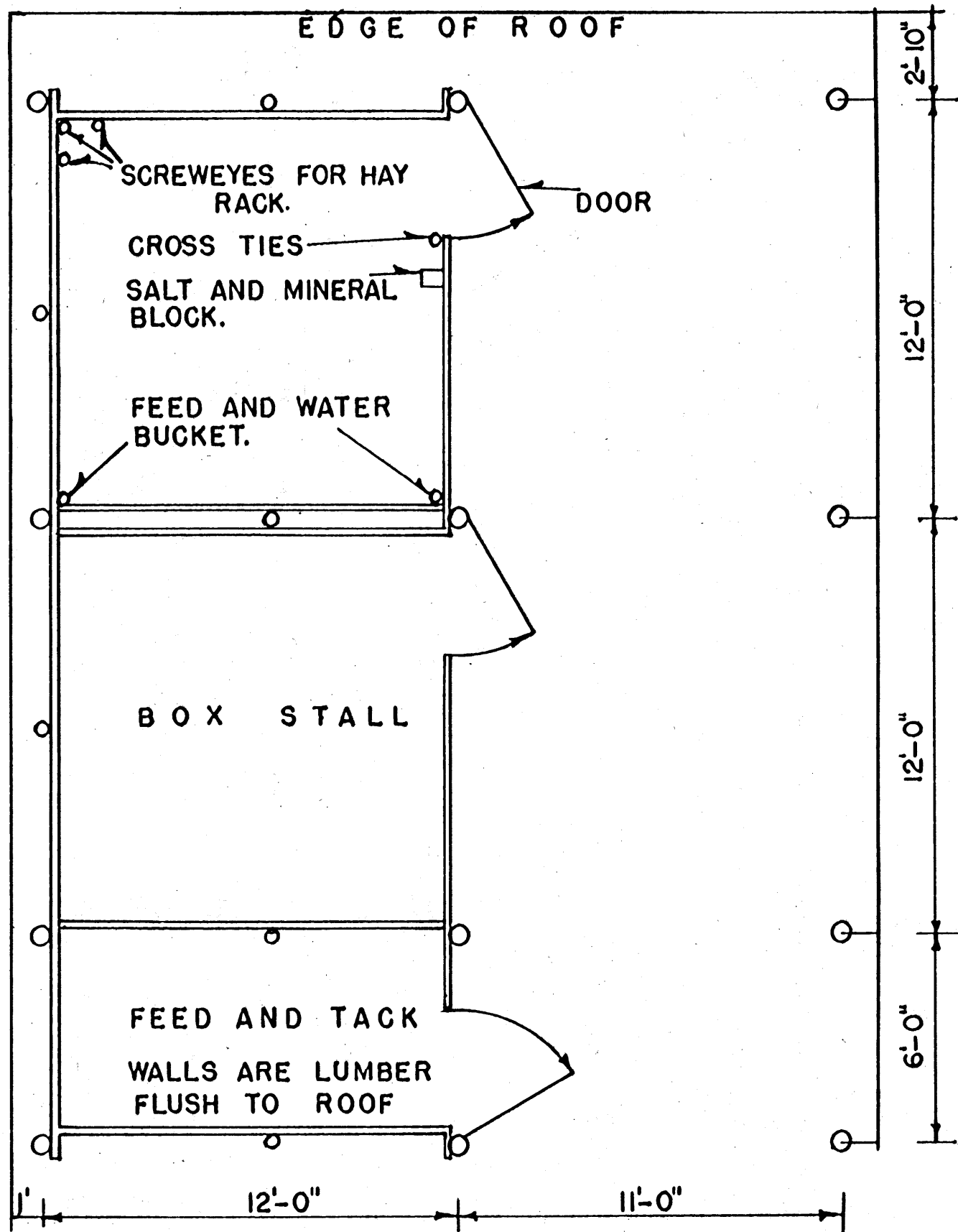
COOPERATIVE EXTENSION WORK IN
 AGRICULTURE AND HOME ECONOMICS
 STATE OF MISSISSIPPI
 MISSISSIPPI STATE UNIVERSITY
 AND
 UNITED STATES DEPARTMENT OF AGRICULTURE COOPERATING

HORSE BARN FOR HOT CLIMATE

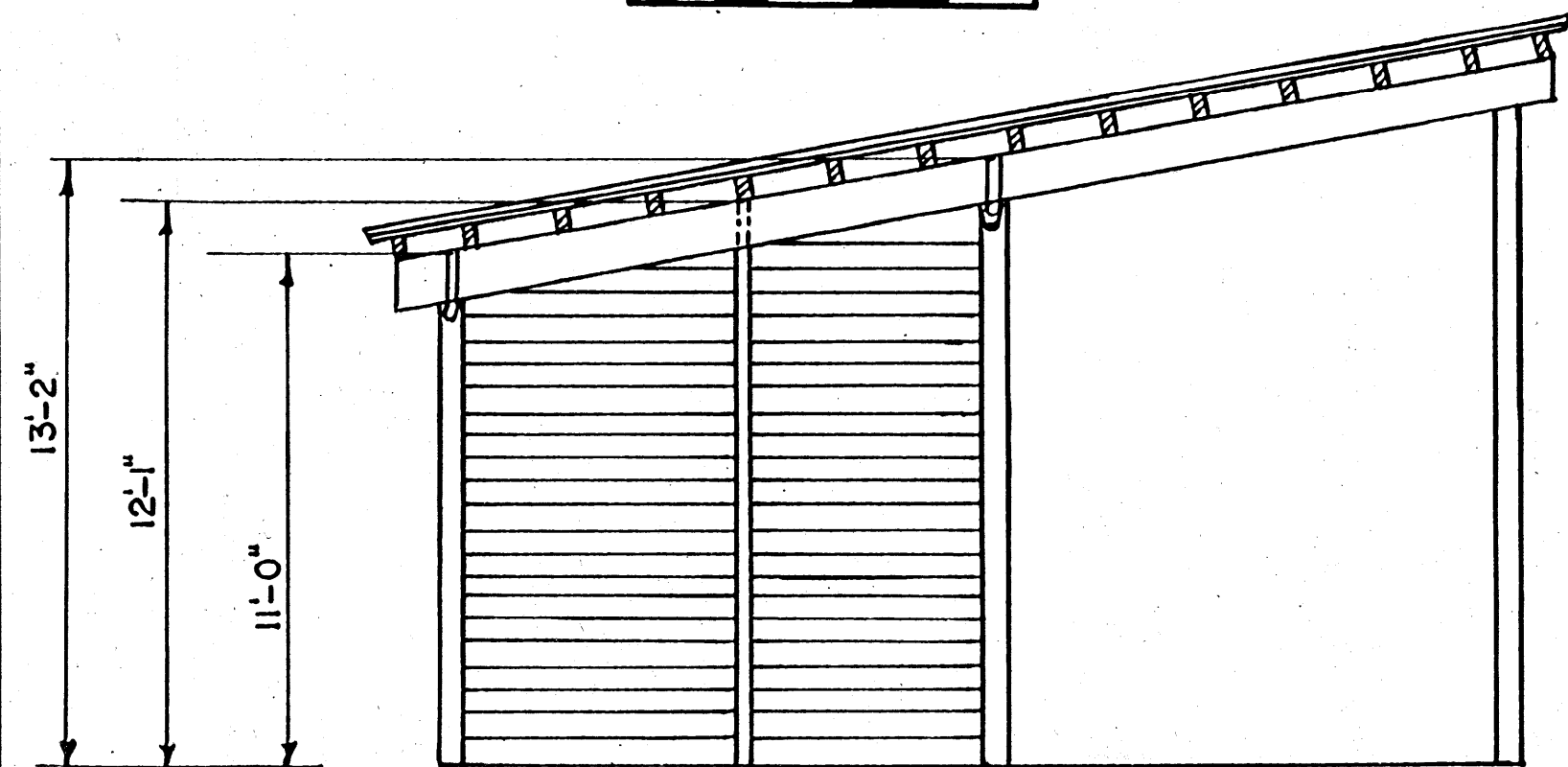
LA. '81	6337	SHEET 1 OF 2
---------	------	--------------

NOTE: DESIGN FOR TIMBER OF MINIMUM STRENGTH F = 1500 PSI

BASED ON: L.S.U. AND A. & M. COLLEGE PLAN No. 58-4

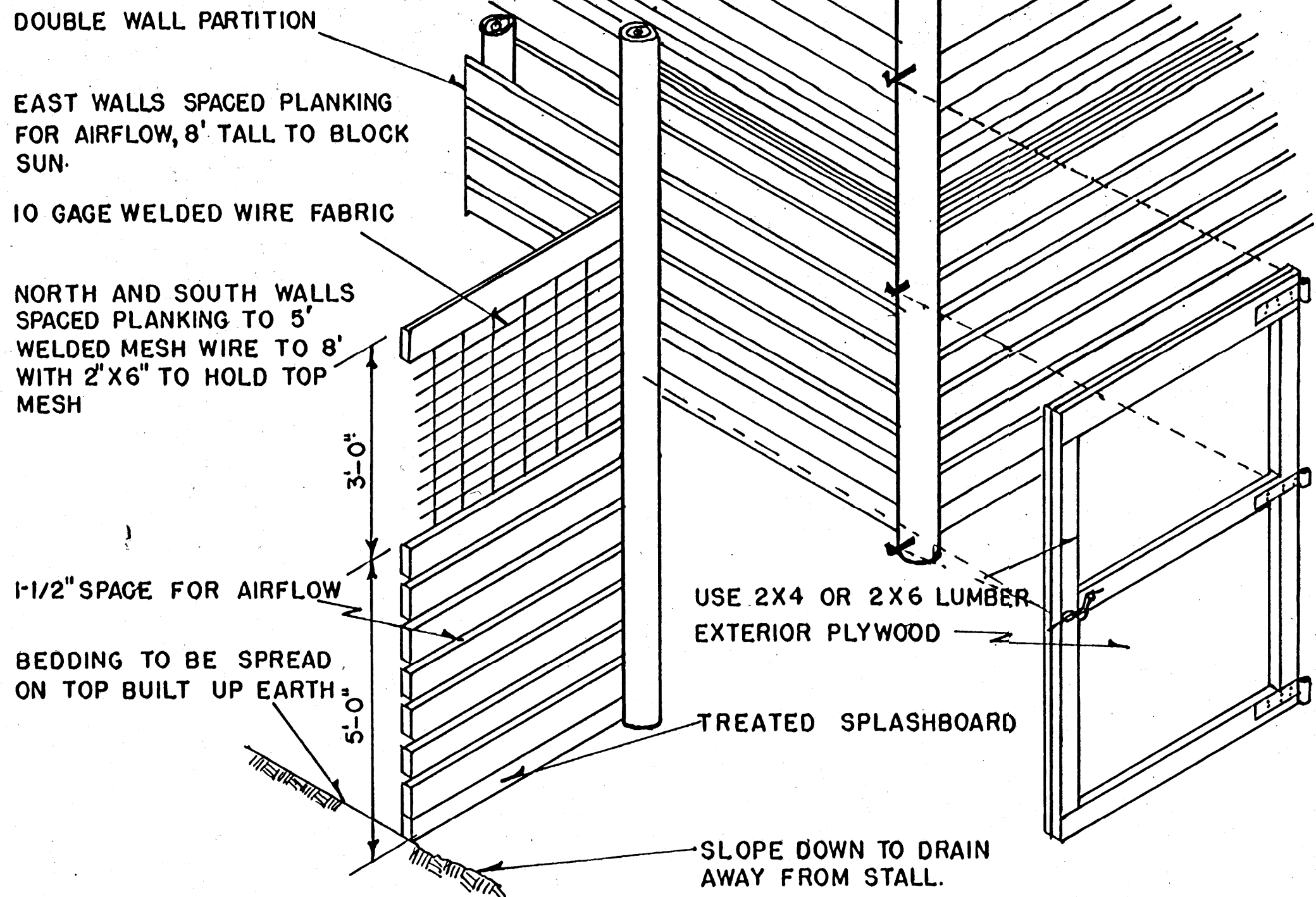


PLAN
SCALE 1/4" = 1'-0"
0' 12' 1' 2' 4' 6' 8'



POLE HEIGHTS

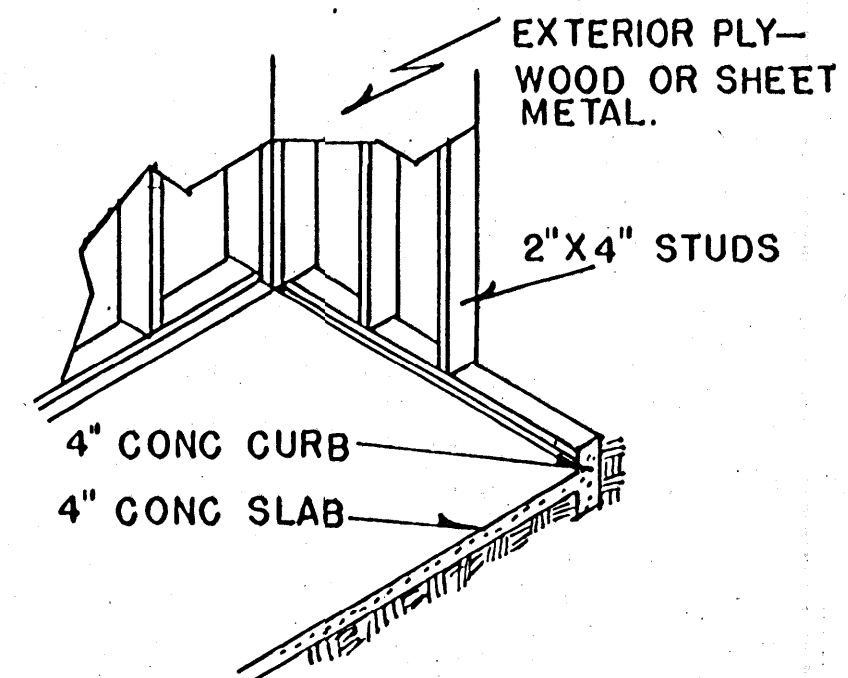
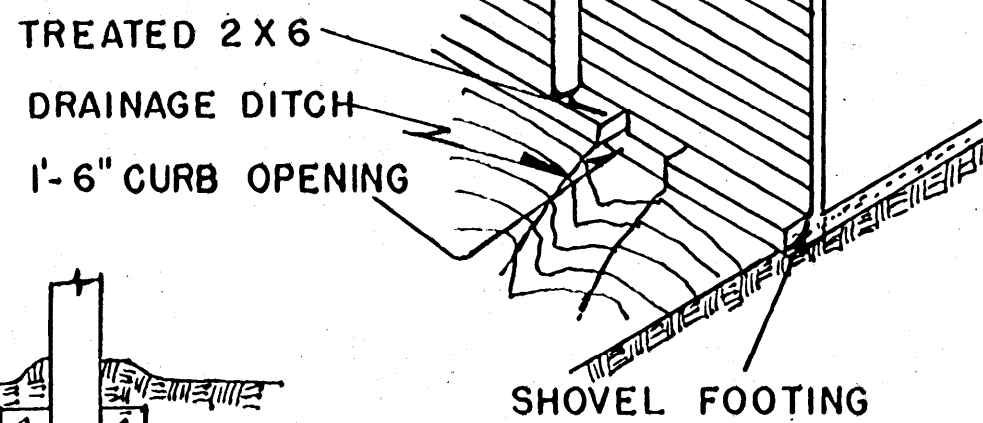
WEST VIEW
SCALE 1/4" = 1'-0"



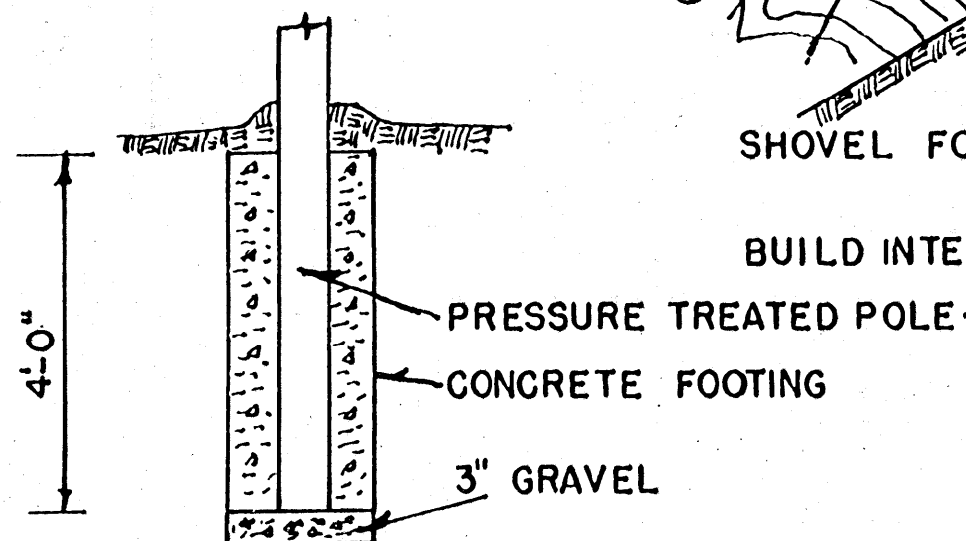
DOOR/PARTITION/WALL DETAIL

SCALE 1/2" = 1'-0"
12' 6' 0' 1' 2'

WASH STALL WALL ALTERNATIVES



BROOM, WOOD FLOAT, OR TROWEL SURFACE.
BUILD INTERIOR WASHSTALL WALLS WATER TIGHT.



TYPICAL FOOTING
SCALE 1/2" = 1'-0"

0' 12' 1' 2' 4' 6' 8'
SCALE 1/4" = 1'-0" UNLESS OTHERWISE NOTED.

COOPERATIVE EXTENSION WORK IN
AGRICULTURE AND HOME ECONOMICS
STATE OF MISSISSIPPI
MISSISSIPPI STATE UNIVERSITY
AND
UNITED STATES DEPARTMENT OF AGRICULTURE COOPERATING

HORSE BARN FOR HOT CLIMATE

LA. '81 6337 SHEET 2 OF 2