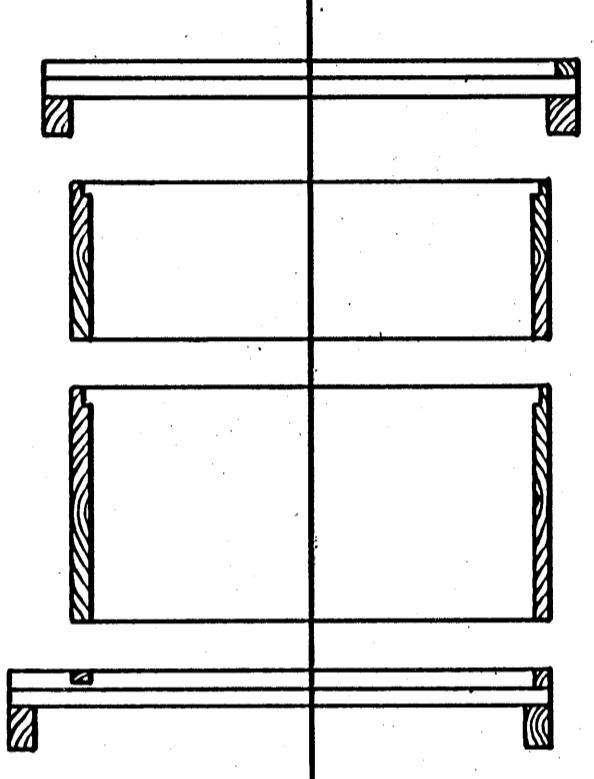
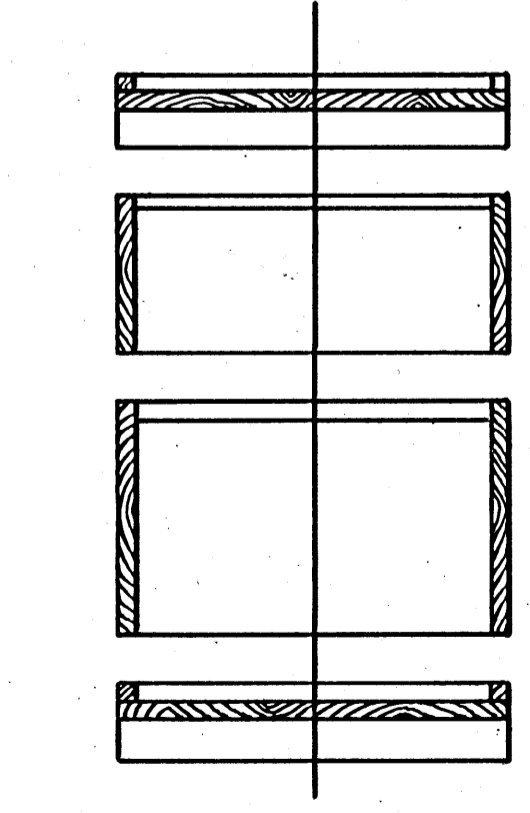


NOTE: DIAGRAM ABOVE SHOWS HOW ONE HIVE CAN BE CUT FROM A 1x12 AND A 1x8, BOTH 10' LONG, AND A 2x2 6' LONG. (1/8" FOR SAW CUT)



EXPLODED TOP: T-1, T-2, THE TWO T-3'S, T-4, AND THE TWO T-5 PIECES ARE ASSEMBLED TO FORM THE TOP.

SECTION A



SECTION B

SHALLOW SUPER  
EXPLODED END VIEW: ENDS AND SIDES ARE ASSEMBLED INTO ONE SOLID FRAME.

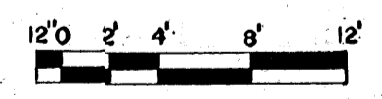
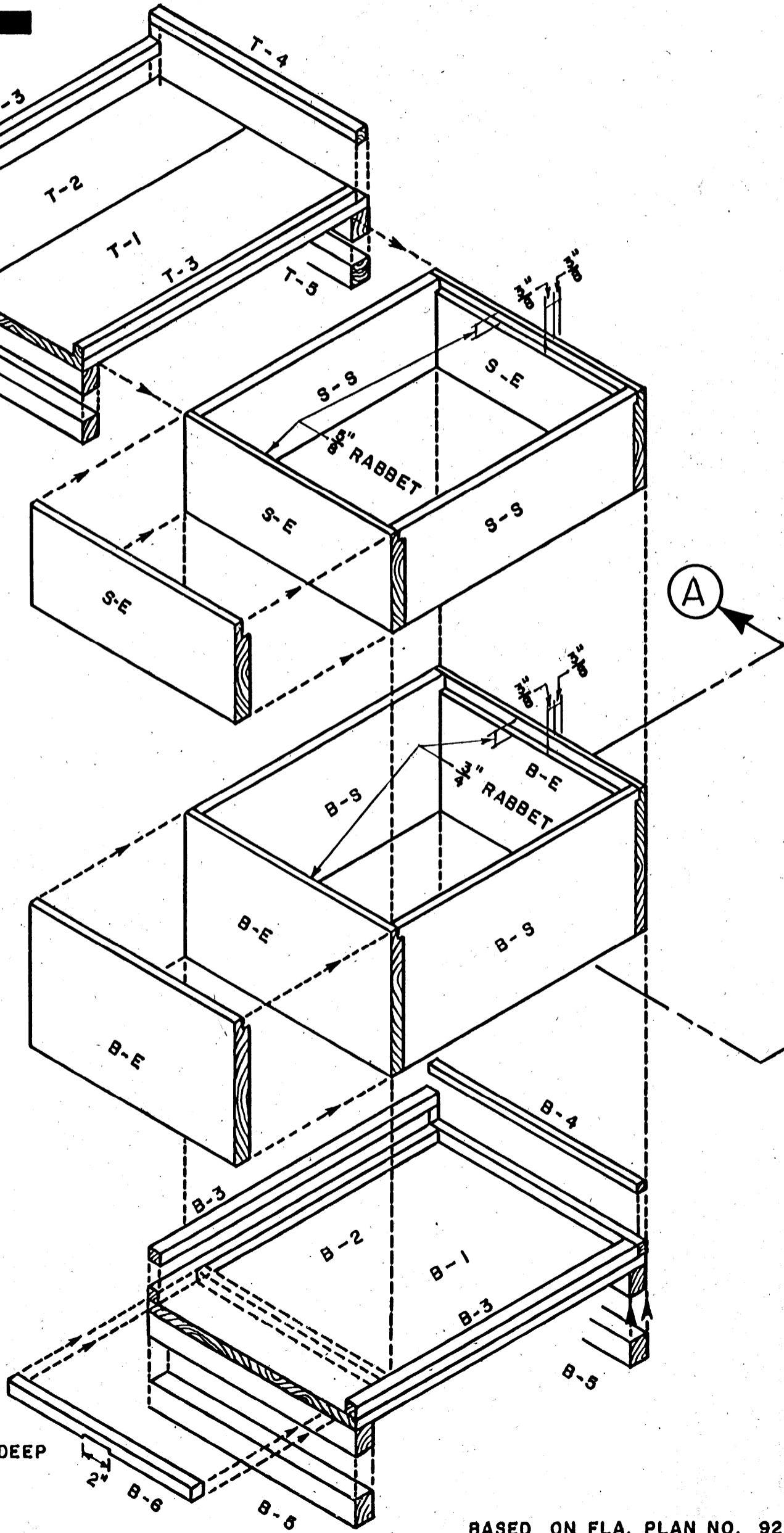
BROOD BODY  
EXPLODED END VIEW: ENDS AND SIDES ARE ASSEMBLED INTO ONE SOLID FRAME.

EXPLODED BOTTOM: B-1 AND B-2 ARE FASTENED AT EACH END TO A B-5 PART. A B-3 PART IS ATTACHED TO EACH SIDE, BUTTING UP TO B-4 AT THE END. B-6 IS LOCATED BETWEEN THE B-3'S AND DIRECTLY BELOW BROOD BODY END AS SHOWN.

1/8" DEEP

MEANING OF SYMBOLS	
B	BOTTOM
T	TOP
-E	END
-S	SIDE
B-	BROOD BODY
S-	SHALLOW SUPER

SCHEDULE OF PARTS		
SYMBOL	AMOUNT	DIMENSIONS (INCHES)
T-1	1	3/4 x 9 5/8 x 22 3/8
T-2	1	3/4 x 6 5/8 x 22 3/8
T-3	2	3/4 x 3/4 x 21 5/8
T-4	1	3/4 x 3/4 x 16 1/4
T-5	2	1 1/8 x 1 1/2 x 16 1/4
S-S	2	3/4 x 6 5/8 x 19 1/8
S-E	2	3/4 x 6 5/8 x 16 1/4
B-S	2	3/4 x 9 5/8 x 19 1/8
B-E	2	3/4 x 9 5/8 x 16 1/4
B-1	1	3/4 x 9 5/8 x 22 1/2
B-2	1	3/4 x 6 5/8 x 22 1/2
B-3	2	3/4 x 3/4 x 21 3/4
B-4	1	3/4 x 3/4 x 16 1/4
B-5	2	1 1/8 x 1 1/2 x 16 1/4
B-6	1	3/4 x 3/4 x 14 3/4



SCALE: 1/8" = 1'-0" UNLESS OTHERWISE NOTED

COOPERATIVE EXTENSION WORK IN  
AGRICULTURE AND HOME ECONOMICS  
STATE OF MISSISSIPPI  
MISSISSIPPI STATE UNIVERSITY  
AND  
UNITED STATES DEPARTMENT OF AGRICULTURE COOPERATING

LOW COST BEEHIVE

USDA 180 EX. 6324 SHEET 1 OF 1

BASED ON FLA. PLAN NO. 920