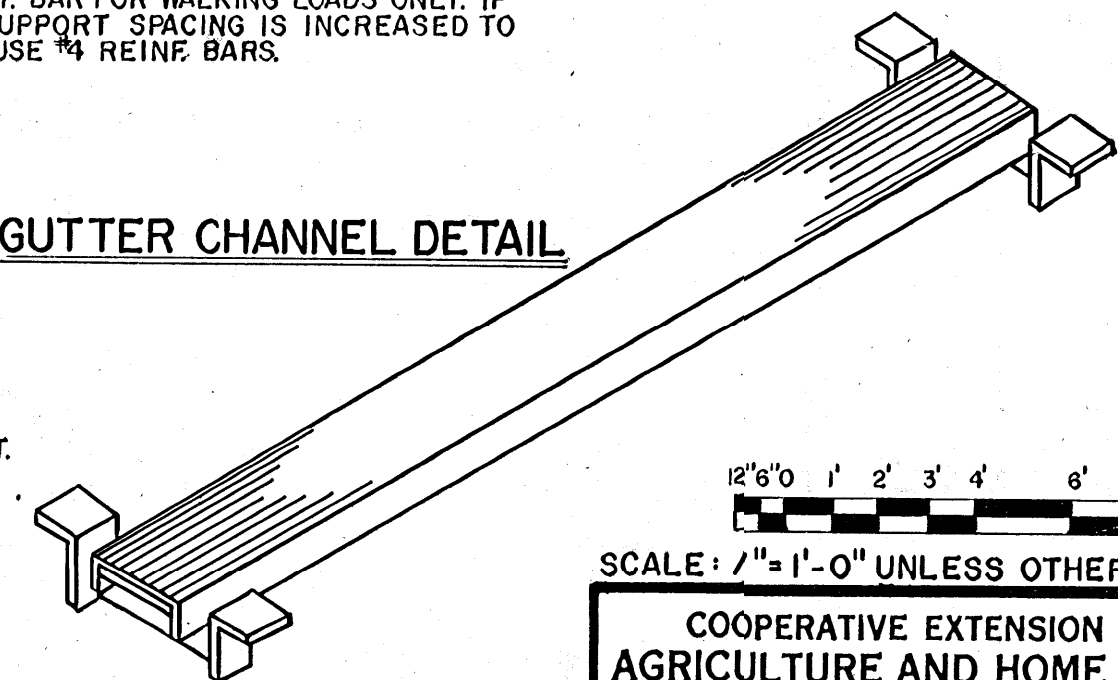
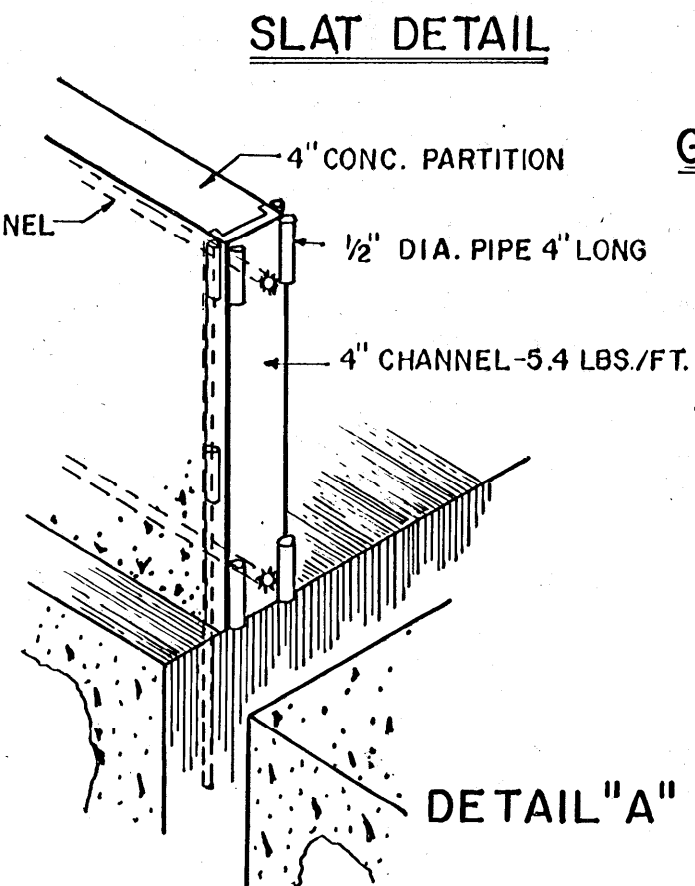
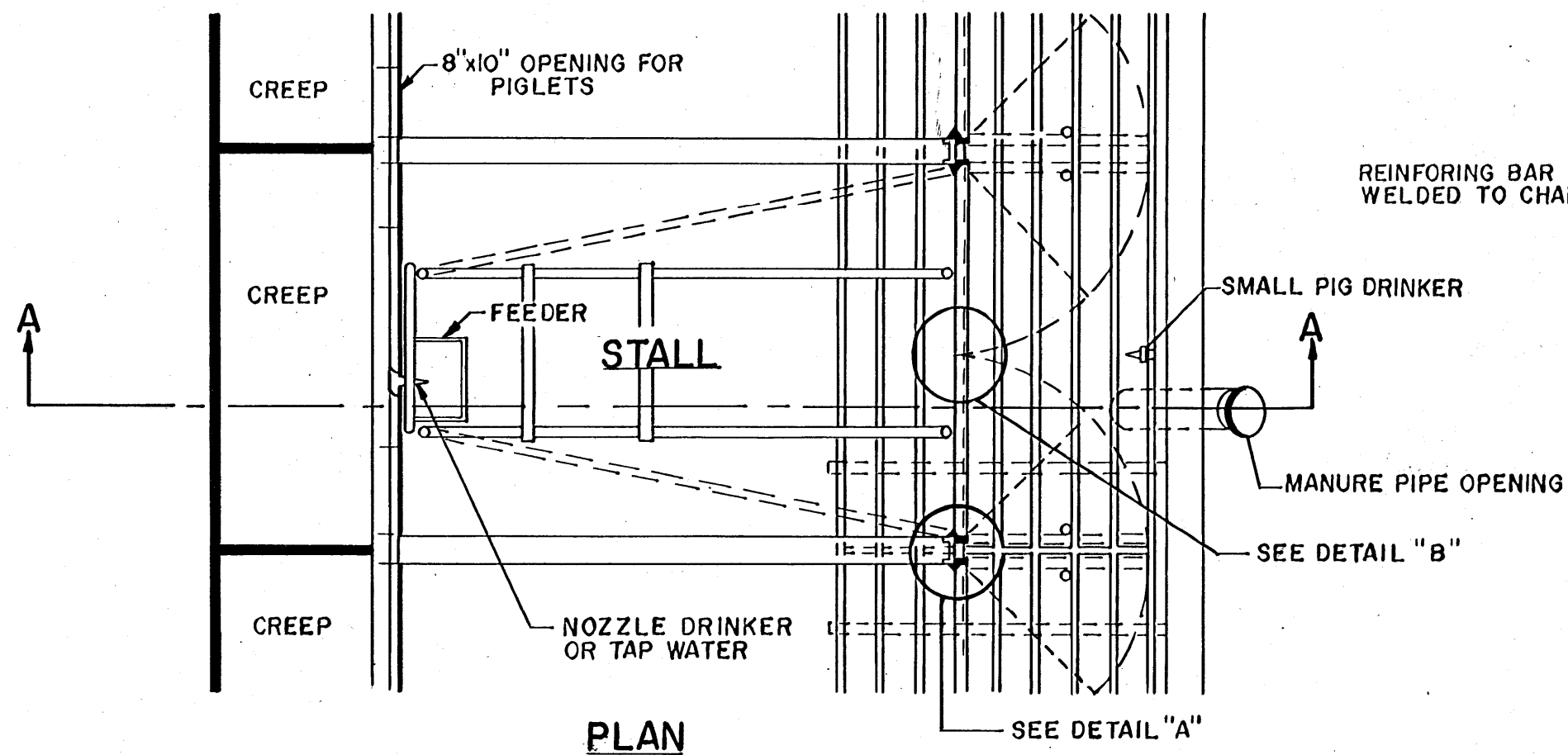
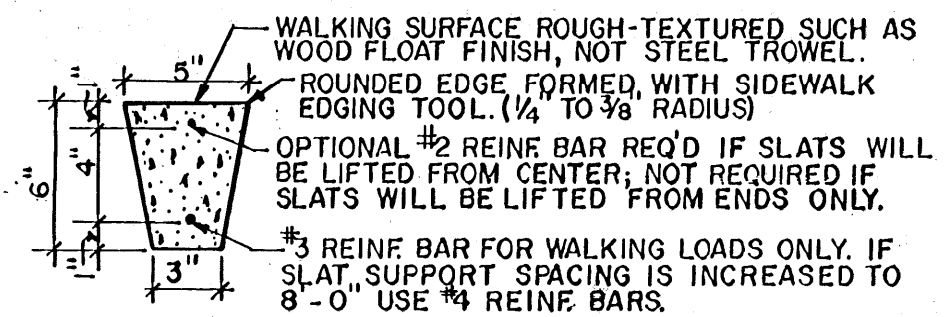
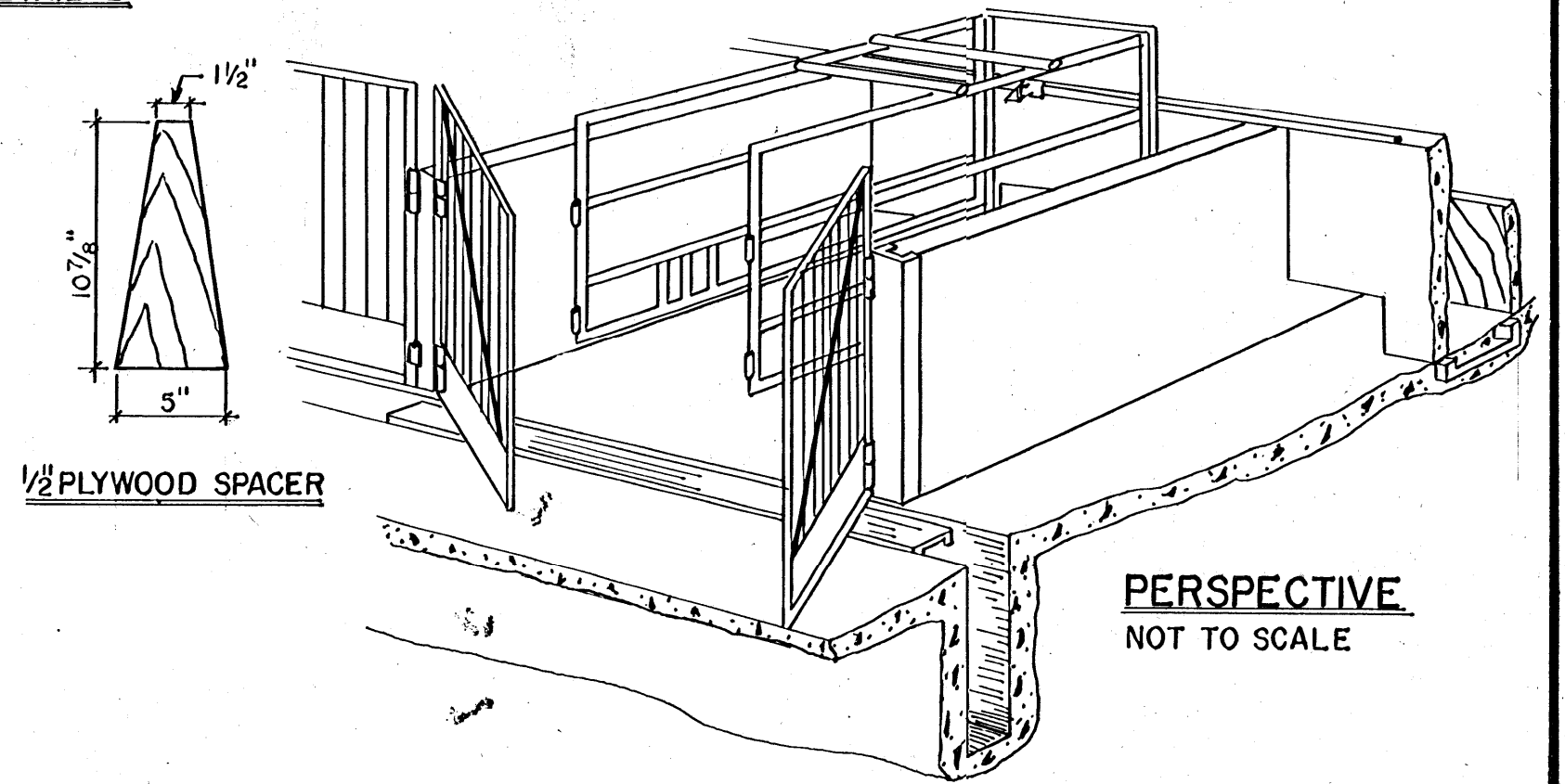


NOTE:
IN LIEU OF STALL GATES, USE A STANDARD
STEEL FARROWING CRATE BOLTED TO A 3/4"
PLYWOOD PLATFORM. SET REMOVABLE
FARROWING CRATE IN STALL FOR NURSING
PERIOD, TO BE REMOVED WITH THE SOW
AT WEANING.



NOTE: BASED ON CANADA PLAN NO. 3008