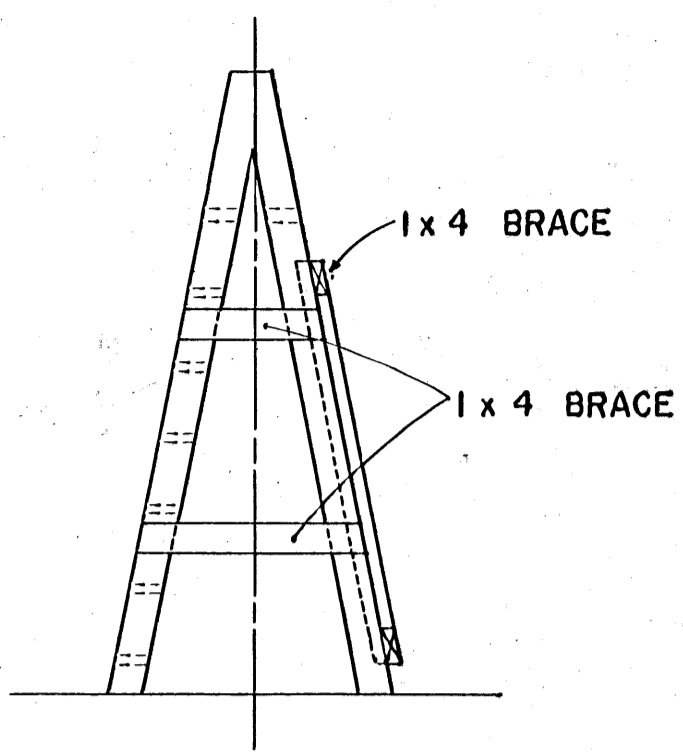
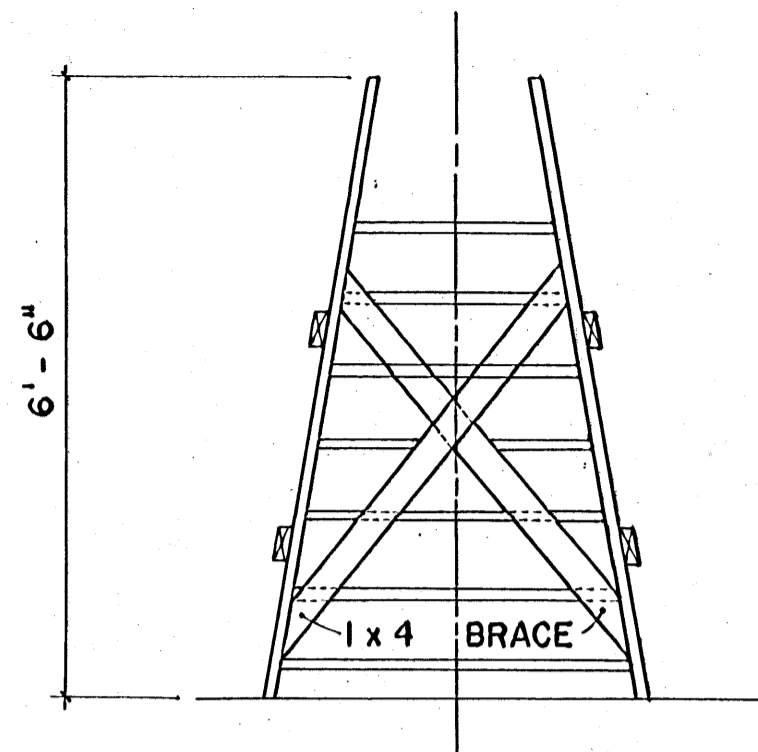


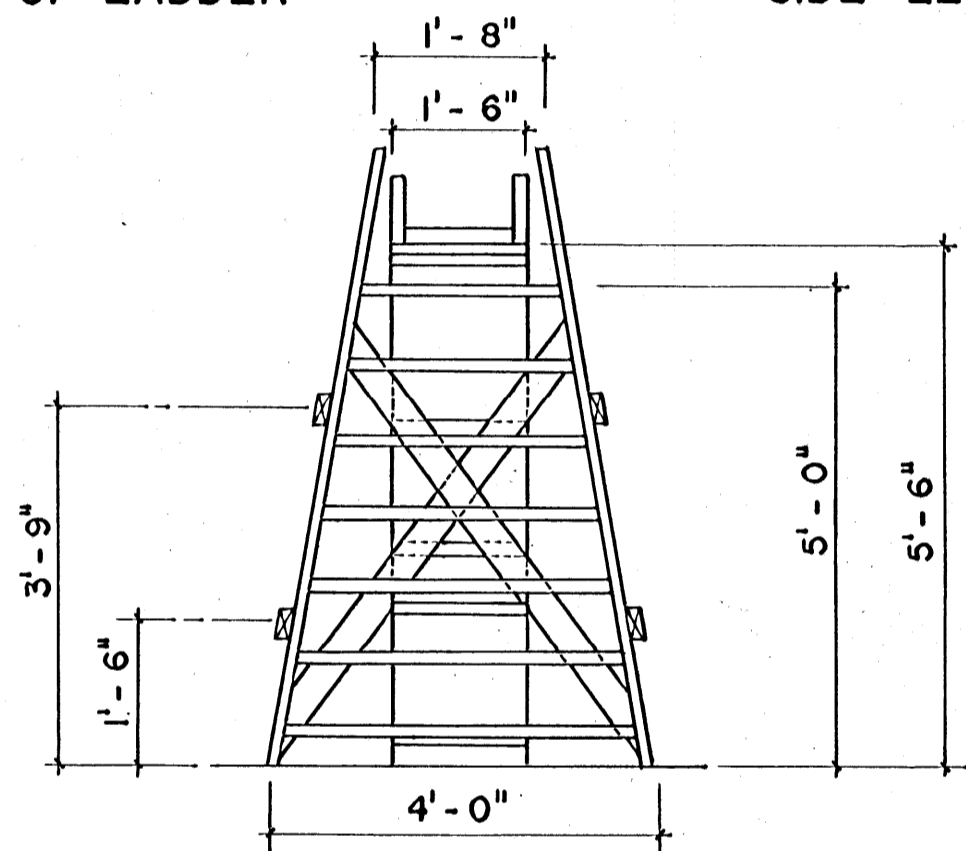
REAR ELEVATION OF LADDER



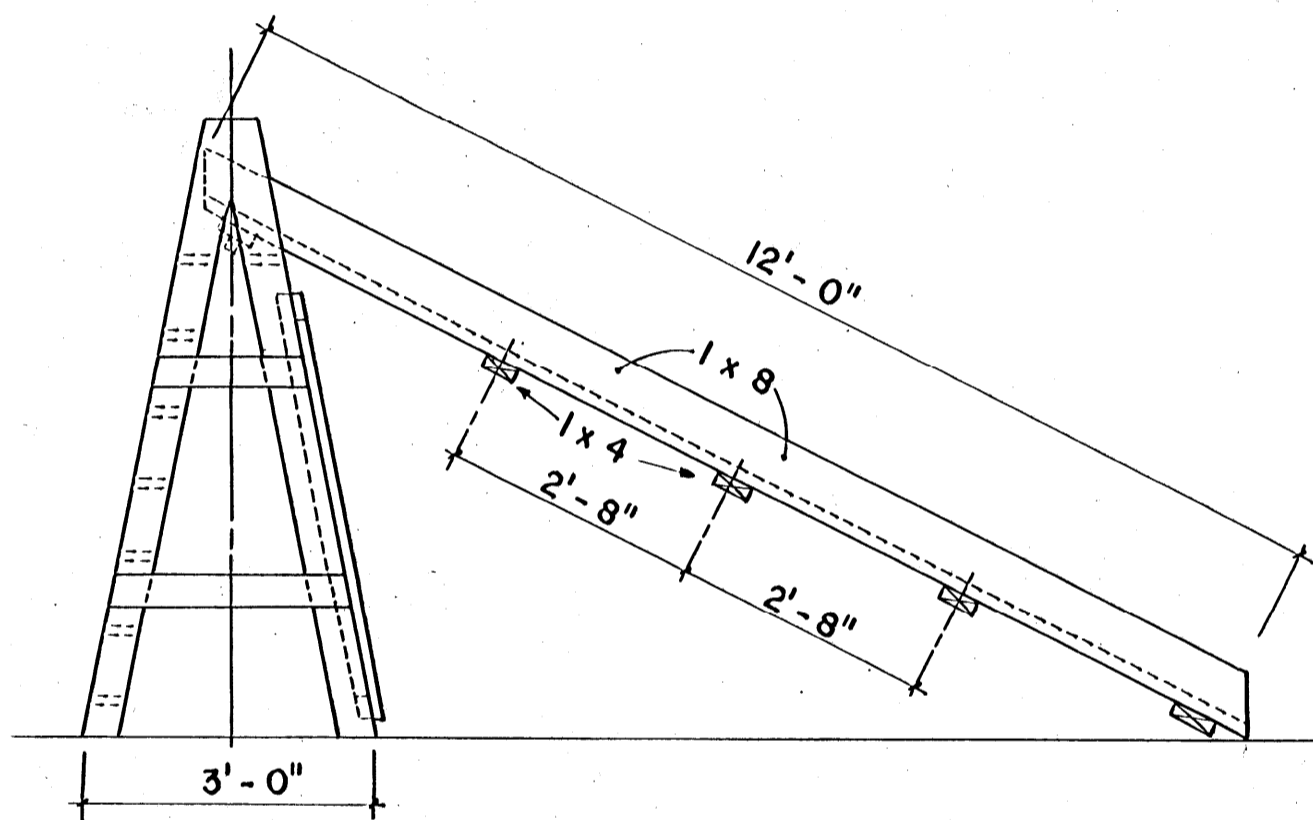
SIDE ELEVATION OF LADDER



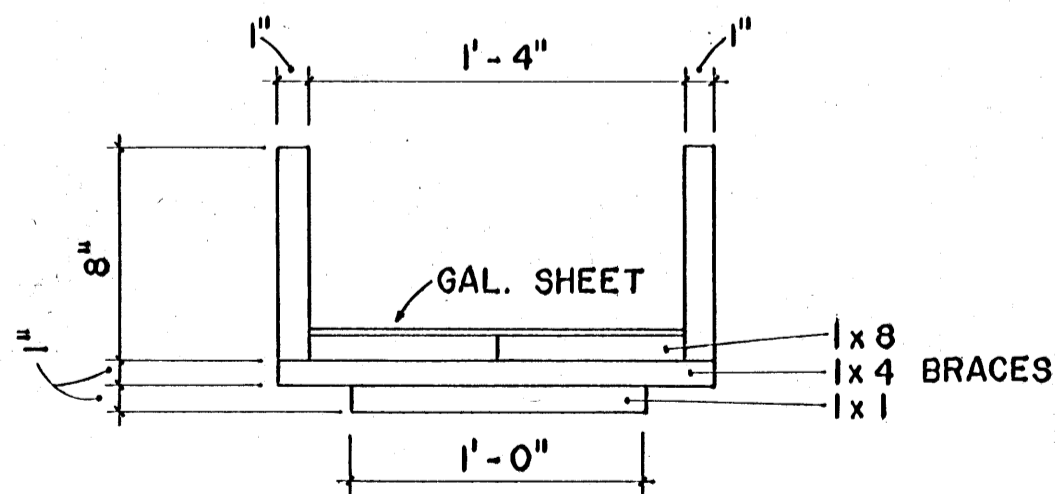
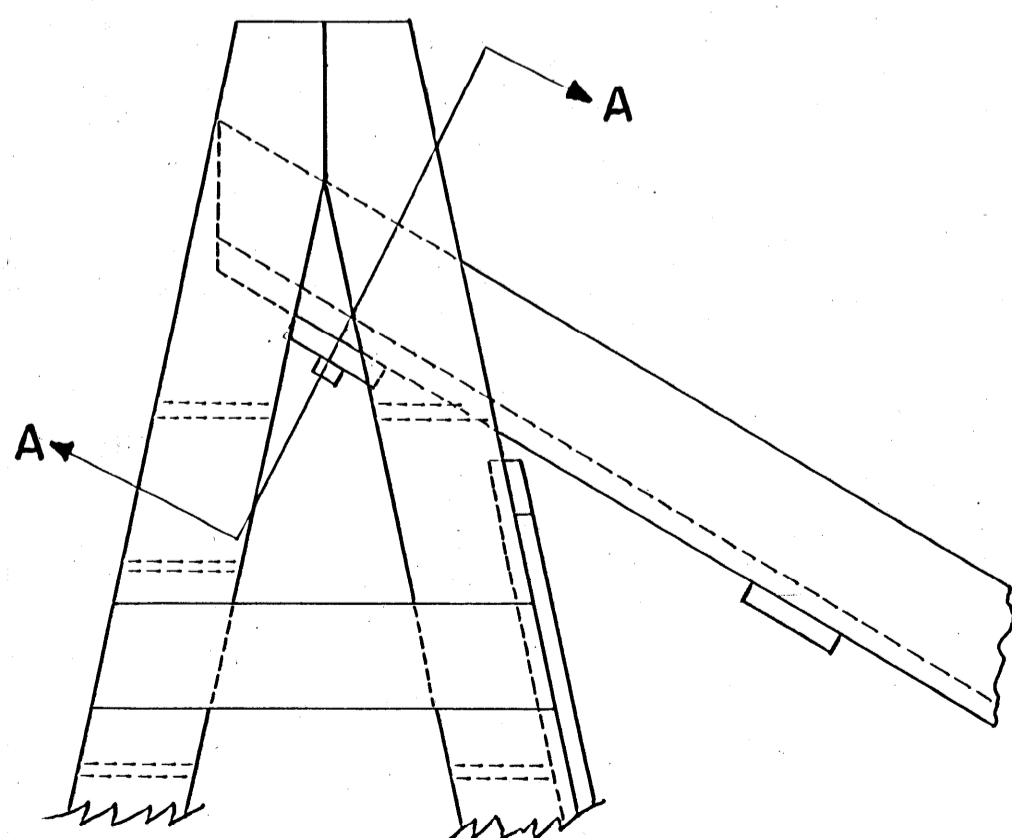
BRACING DETAIL



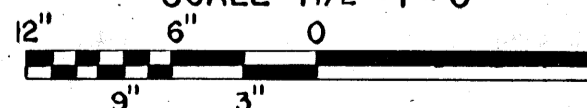
REAR ELEVATION



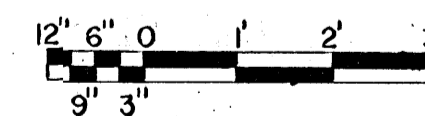
SIDE ELEVATION



SECTION A - A
SCALE 1 1/2" = 1' - 0"



SLIDING BOARD



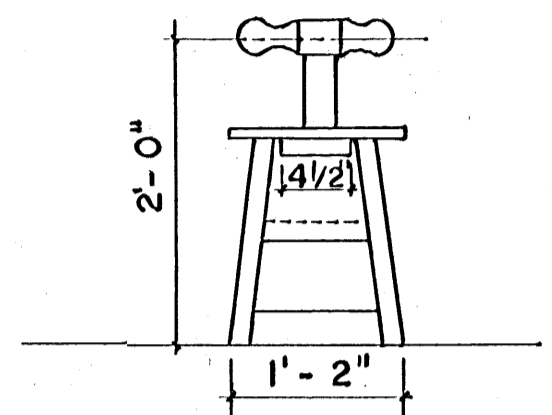
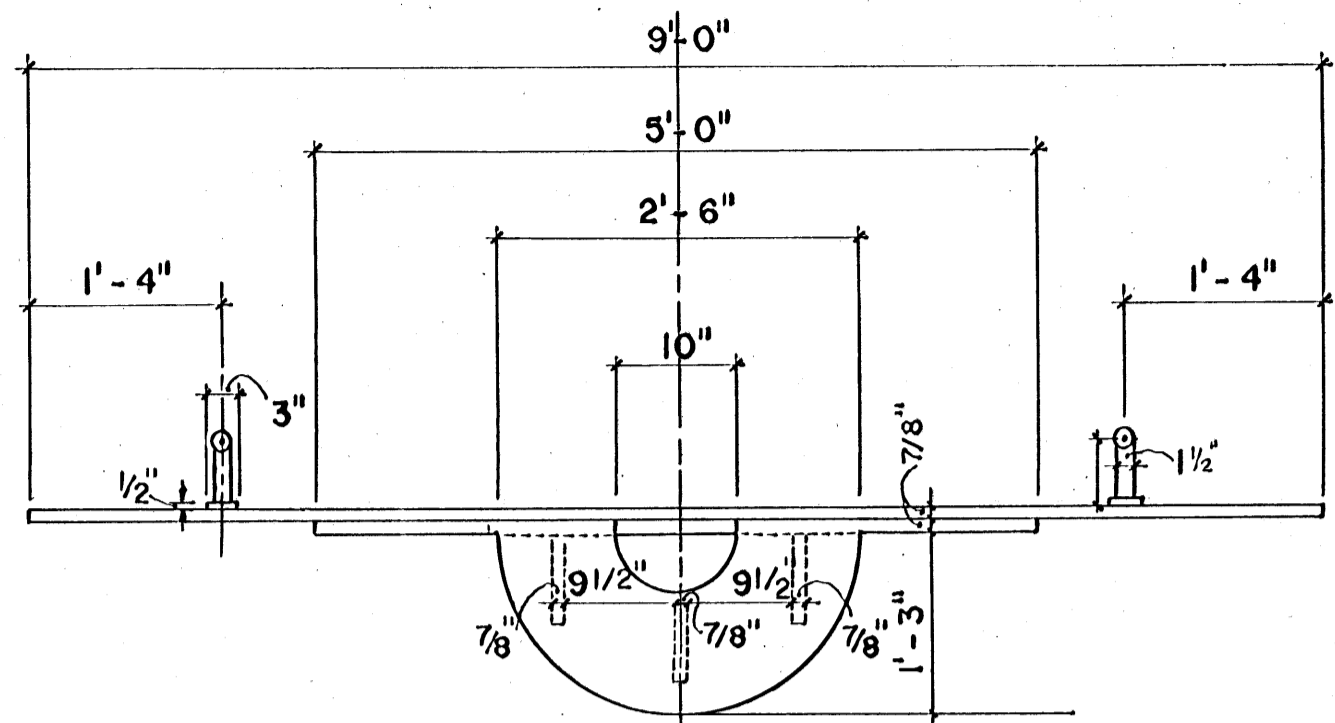
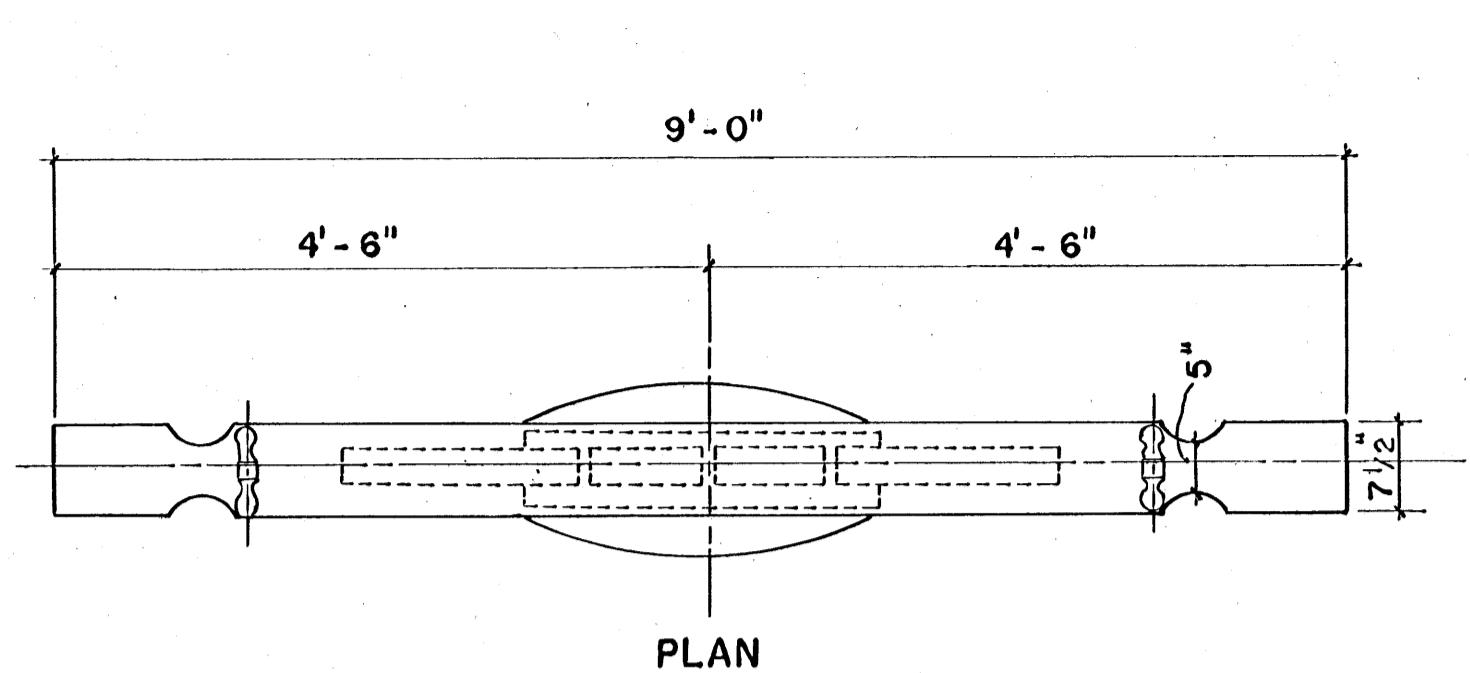
SCALE: 1/2" = 1' - 0" UNLESS OTHERWISE NOTE

COOPERATIVE EXTENSION WORK IN
AGRICULTURE AND HOME ECONOMICS
STATE OF MISSISSIPPI
MISSISSIPPI STATE UNIVERSITY
AND
UNITED STATES DEPARTMENT OF AGRICULTURE COOPERATING

PLAYGROUD EQUIPMENT

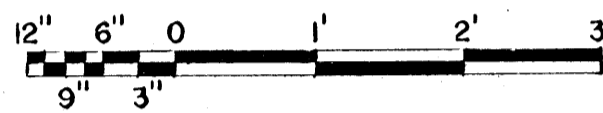
USDA '79 EX. 6317 SHEET 1 OF 4

BASED ON: AUBURN UNIV. PLAN NO. E-302

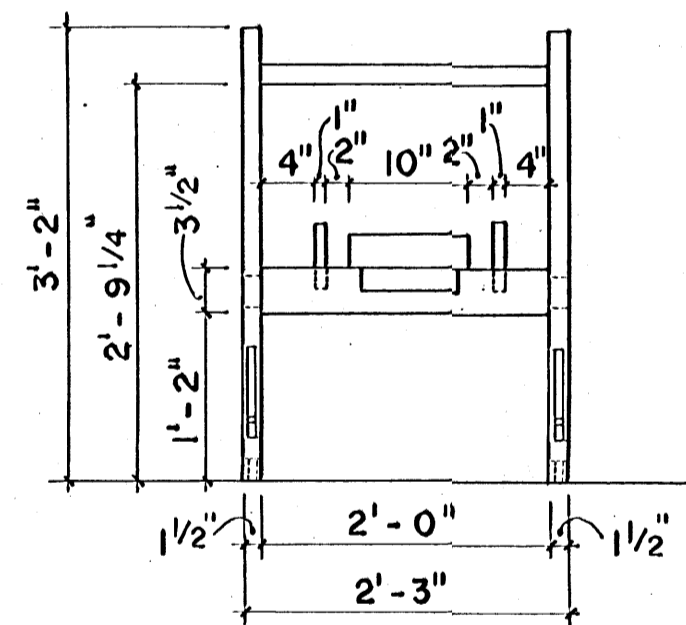
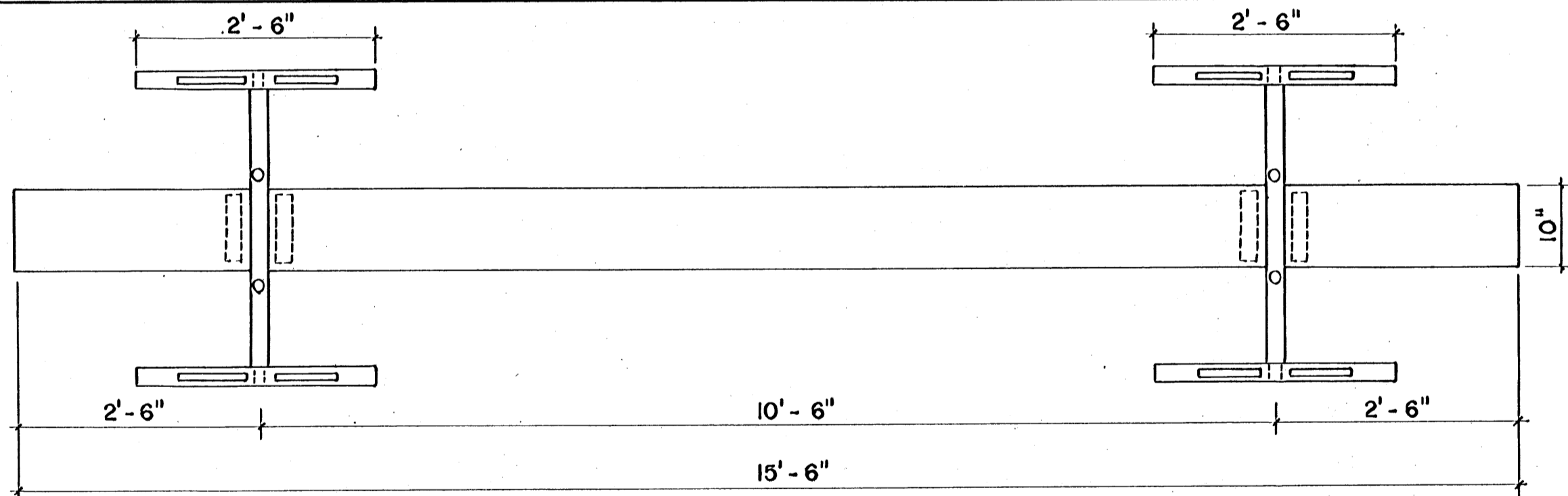


TEETER BOARD

SCALE 3/4" = 1' - 0"



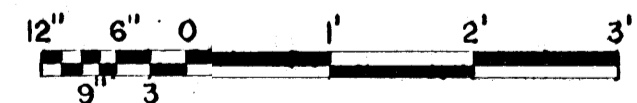
SIDE ELEVATION



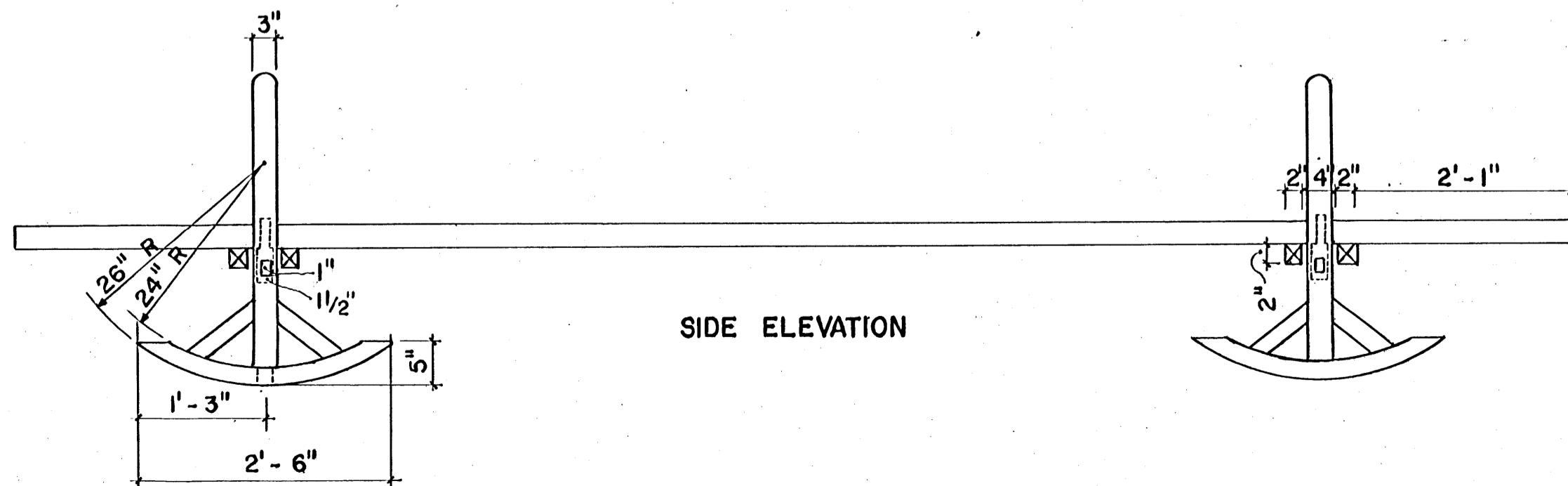
PLAN

ELEVATION

ROCKING BOARD



SCALE 3/4" = 1' - 0" UNLESS OTHERWISE NOTE

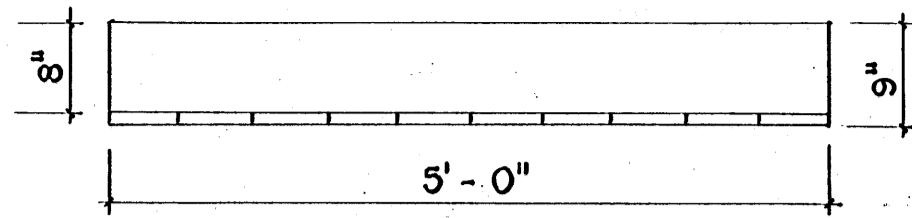


SIDE ELEVATION

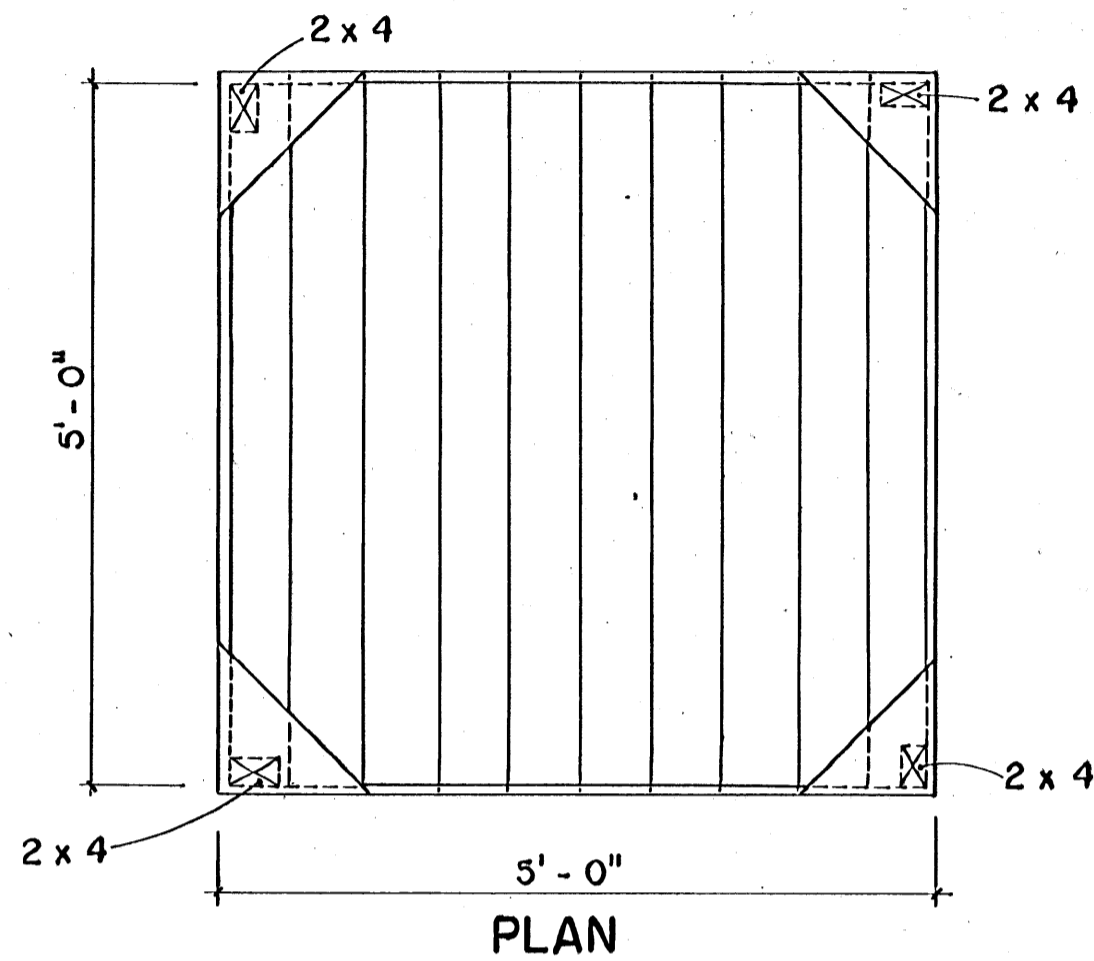
COOPERATIVE EXTENSION WORK IN
 AGRICULTURE AND HOME ECONOMICS
 STATE OF MISSISSIPPI
 MISSISSIPPI STATE UNIVERSITY
 AND
 UNITED STATES DEPARTMENT OF AGRICULTURE COOPERATING

PLAYGROUND EQUIPMENT

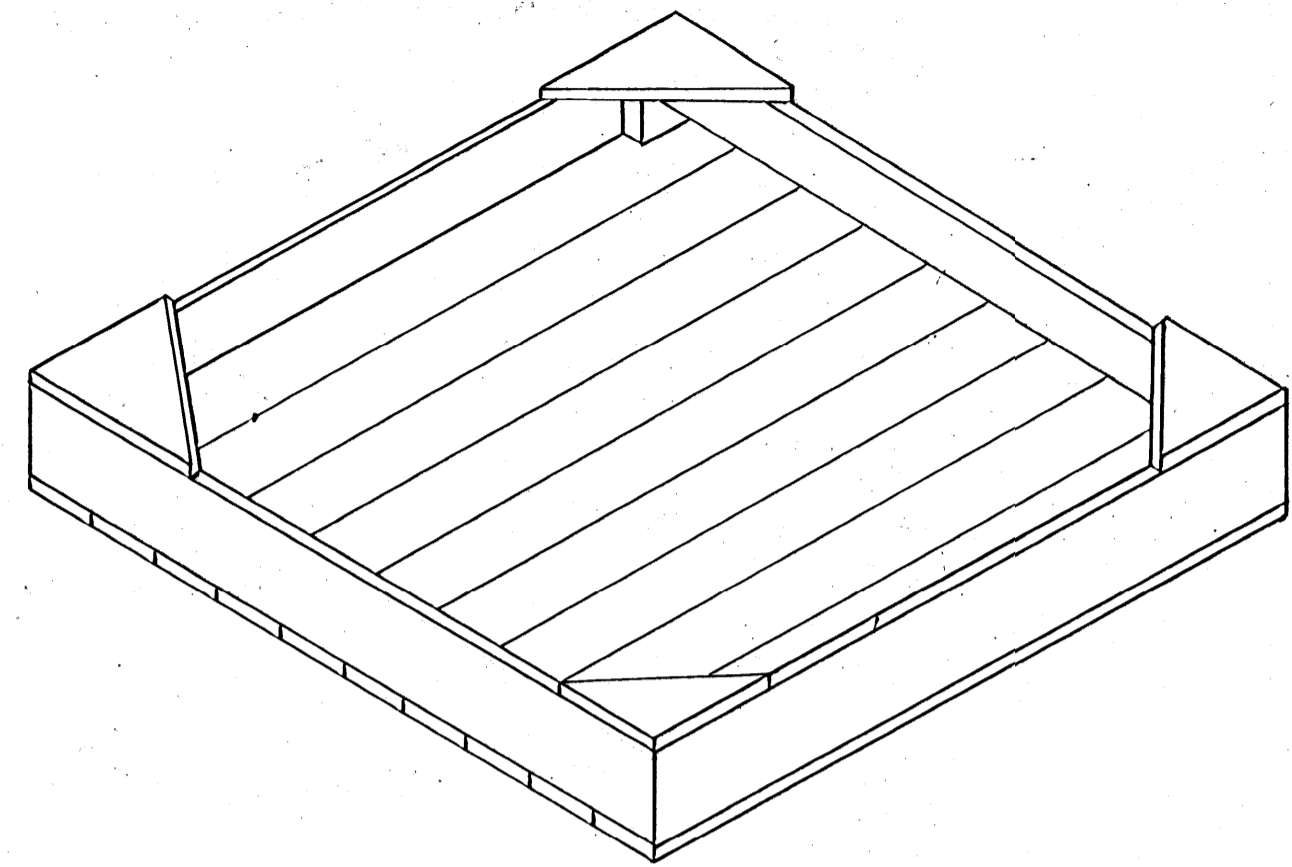
USDA '79 EX. 6317 SHEET 3 OF 4



SIDE ELEVATION



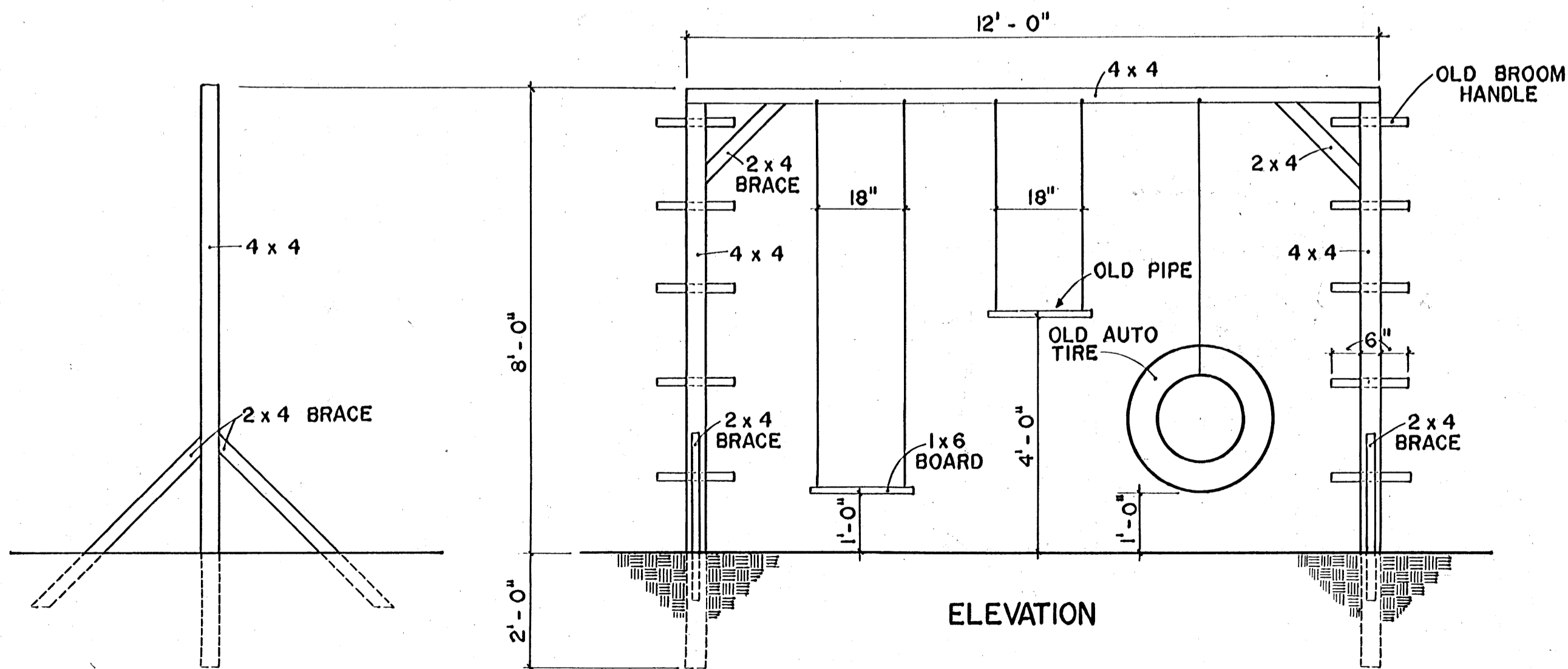
PLAN



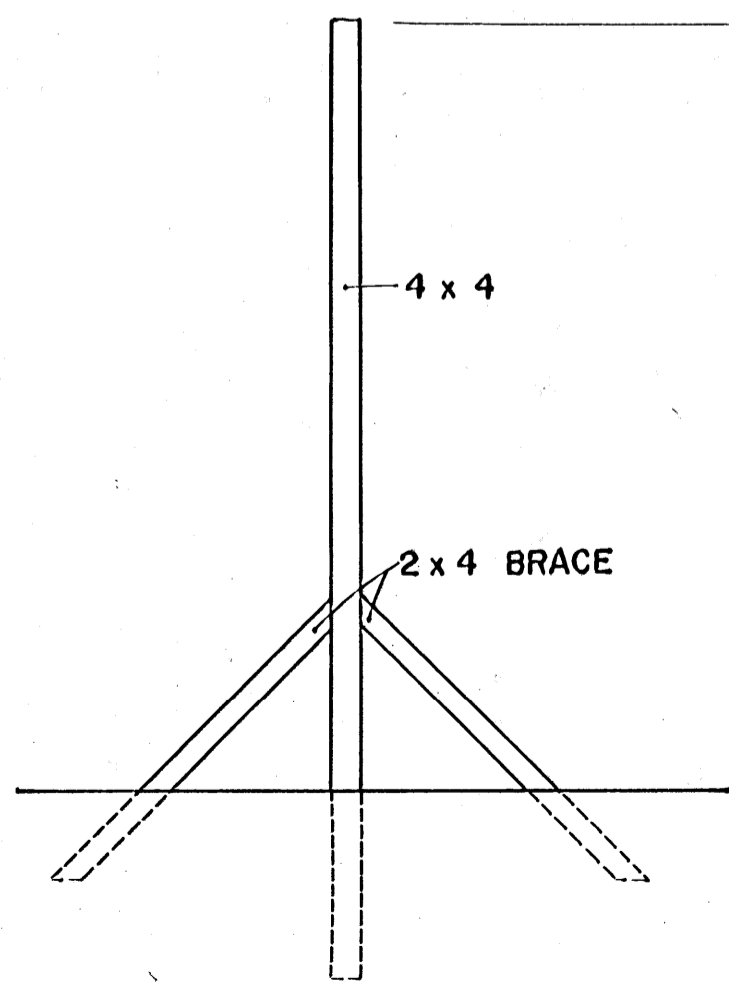
ISOMETRIC

SAND BOX

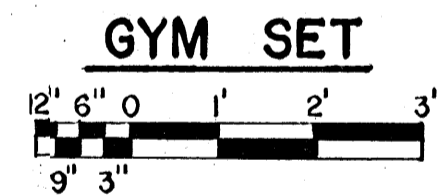
SCALE 3/4" = 1' - 0"
12' 9" 6" 3" 0 1'



ELEVATION



POST DETAIL



SCALE: 1/2" = 1' - 0" UNLESS OTHERWISE NOTE

COOPERATIVE EXTENSION WORK IN AGRICULTURE AND HOME ECONOMICS MISSISSIPPI STATE UNIVERSITY		
UNITED STATES DEPARTMENT OF AGRICULTURE COOPERATING		
PLAYGROUND EQUIPMENT		
USDA '79	EX. 6317	SHEET 4 OF 4