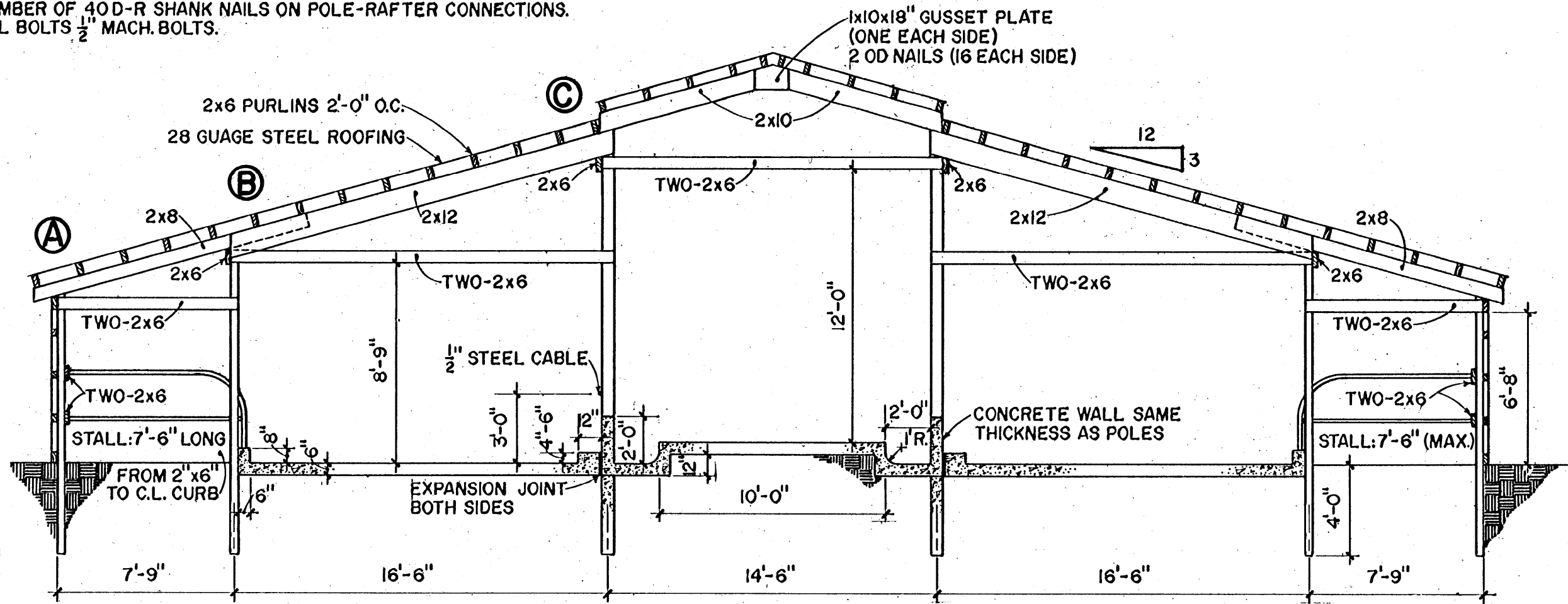


R=RING

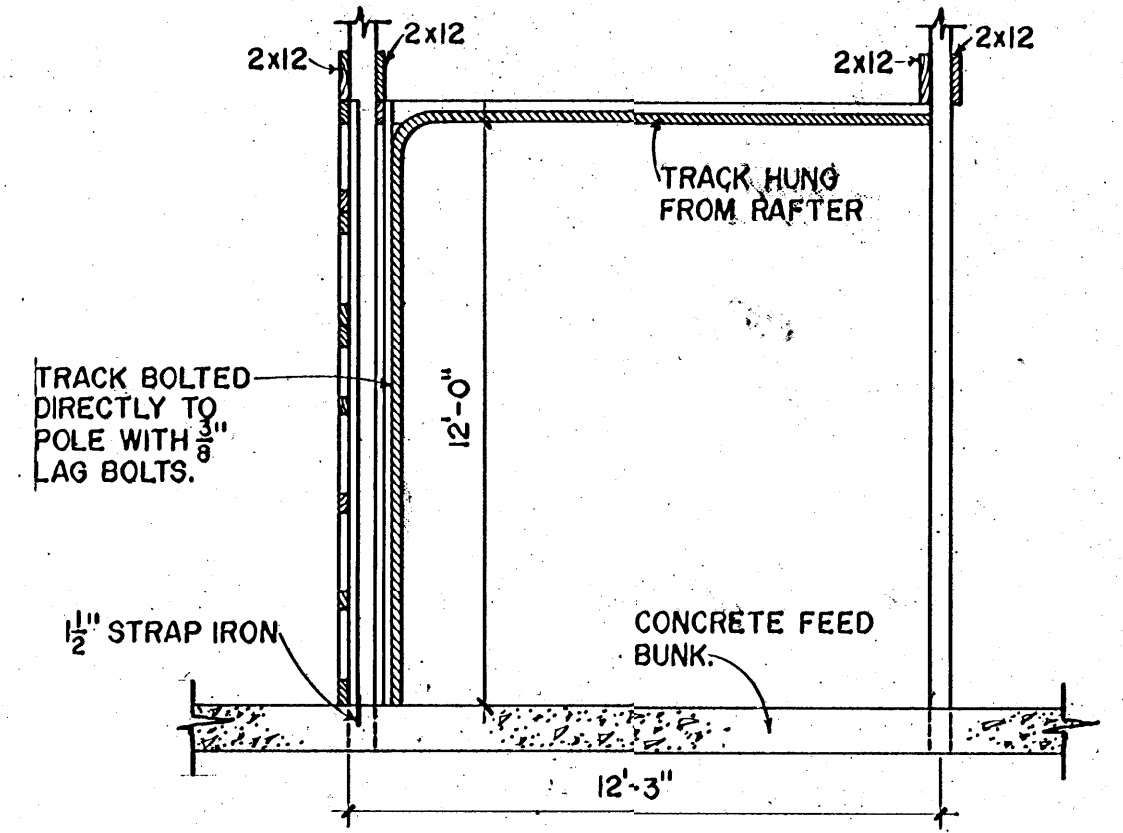
NOTE:

THREE 40D-R SHANK NAILS EACH 2x6 CONNECTION. USE SPECIFIED NUMBER OF 40D-R SHANK NAILS ON POLE-RAFTER CONNECTIONS. ALL BOLTS 1/2" MACH. BOLTS.



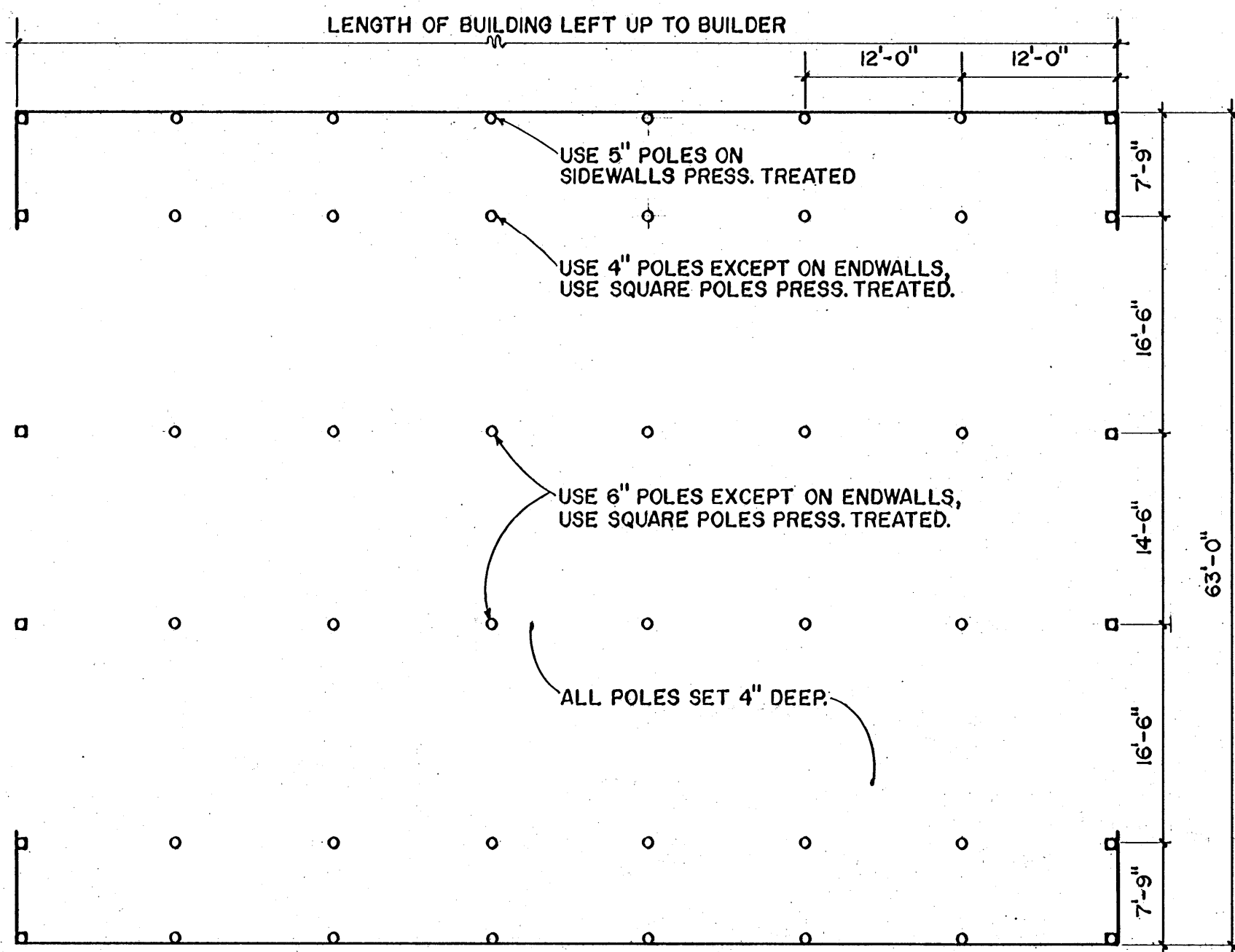
SECTION "A-A"

SCALE: 3/16" = 1'-0" 12" 0" 1' 2' 3' 4'



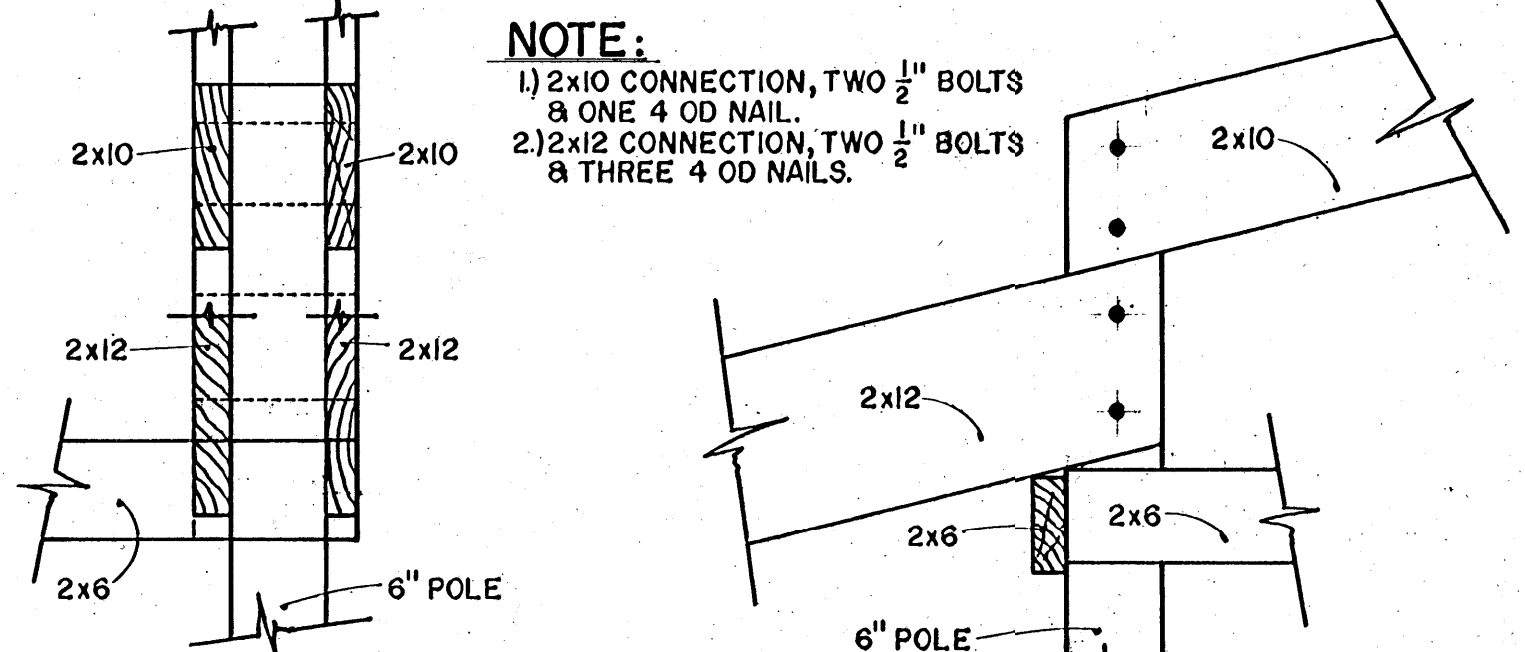
12' DOOR-SIDE VIEW

SCALE: 1/4" = 1'-0" 12" 6" 0" 1' 2' 3' 4' 9" 3"



FLOOR PLAN

SCALE: 3/32" = 1'-0" 12" 0" 1' 2" 3" 4"

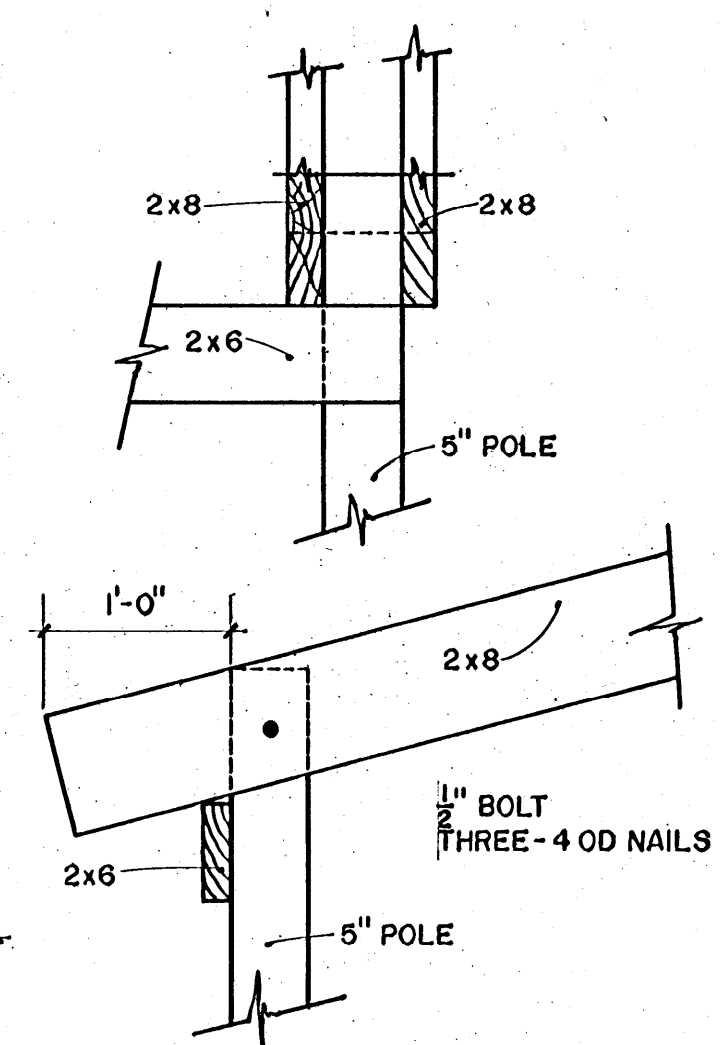


NOTE:

- 1) 2x10 CONNECTION, TWO 1/2" BOLTS & ONE 40D NAIL.
- 2) 2x12 CONNECTION, TWO 1/2" BOLTS & THREE 40D NAILS.

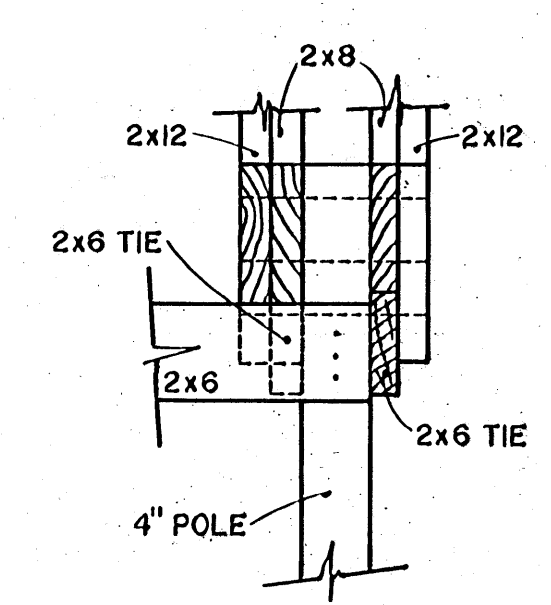
DETAIL C

SCALE: 1" = 1'-0" 12" 9" 6" 3" 0" 1"



DETAIL A

SCALE: 1" = 1'-0"



DETAIL B

SCALE: 1" = 1'-0"

COOPERATIVE EXTENSION WORK IN AGRICULTURE AND HOME ECONOMICS
STATE OF MISSISSIPPI
MISSISSIPPI STATE UNIVERSITY
AND
UNITED STATES DEPARTMENT OF AGRICULTURE COOPERATING

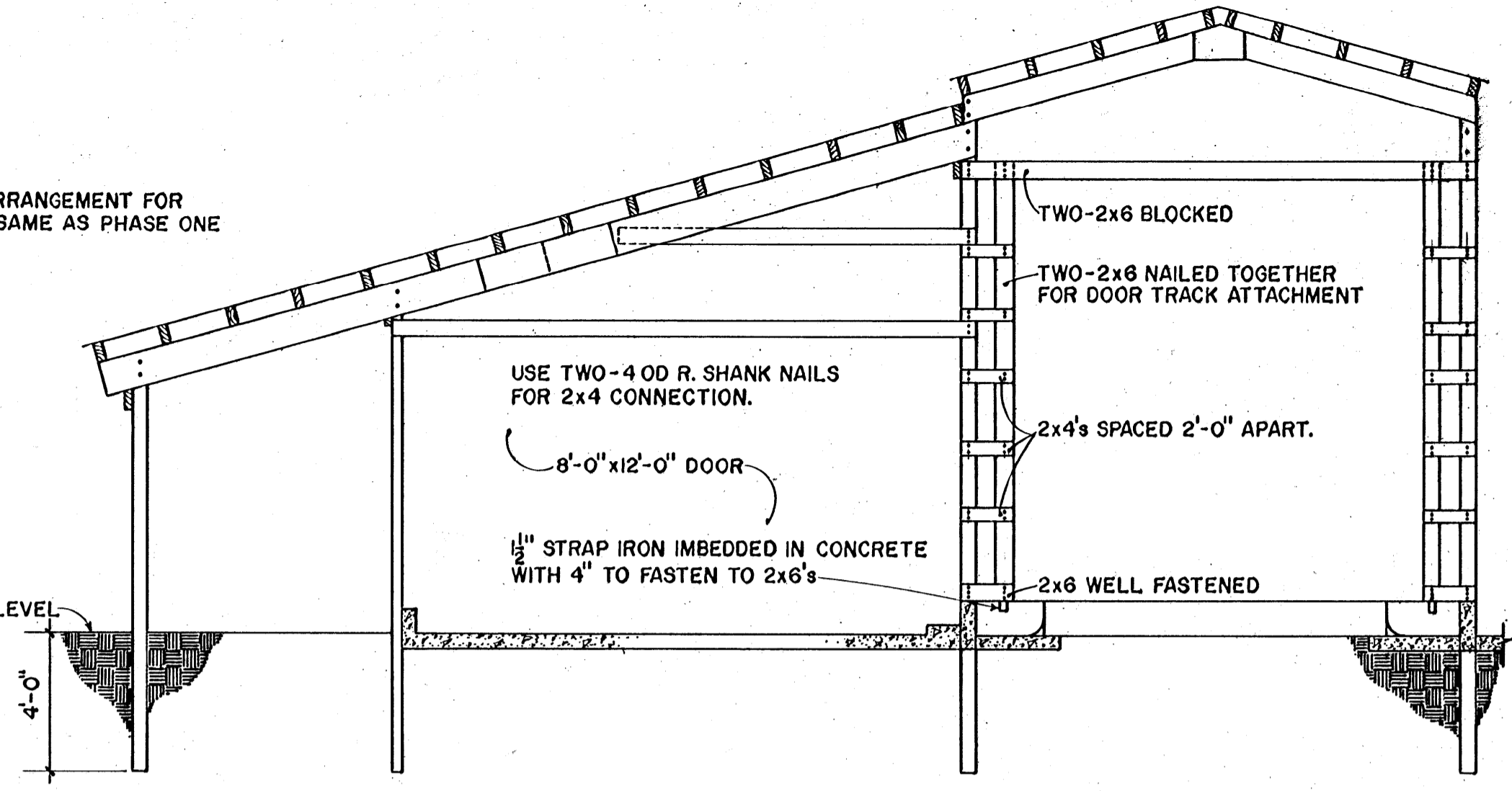
HAY BARN

WYO. '78 6310 SHEET 1 OF 2

BASED ON UNIVERSITY OF WYOMING PLAN NO. FS-27

GIRT ARRANGEMENT FOR SIDING SAME AS PHASE ONE

GROUND LEVEL



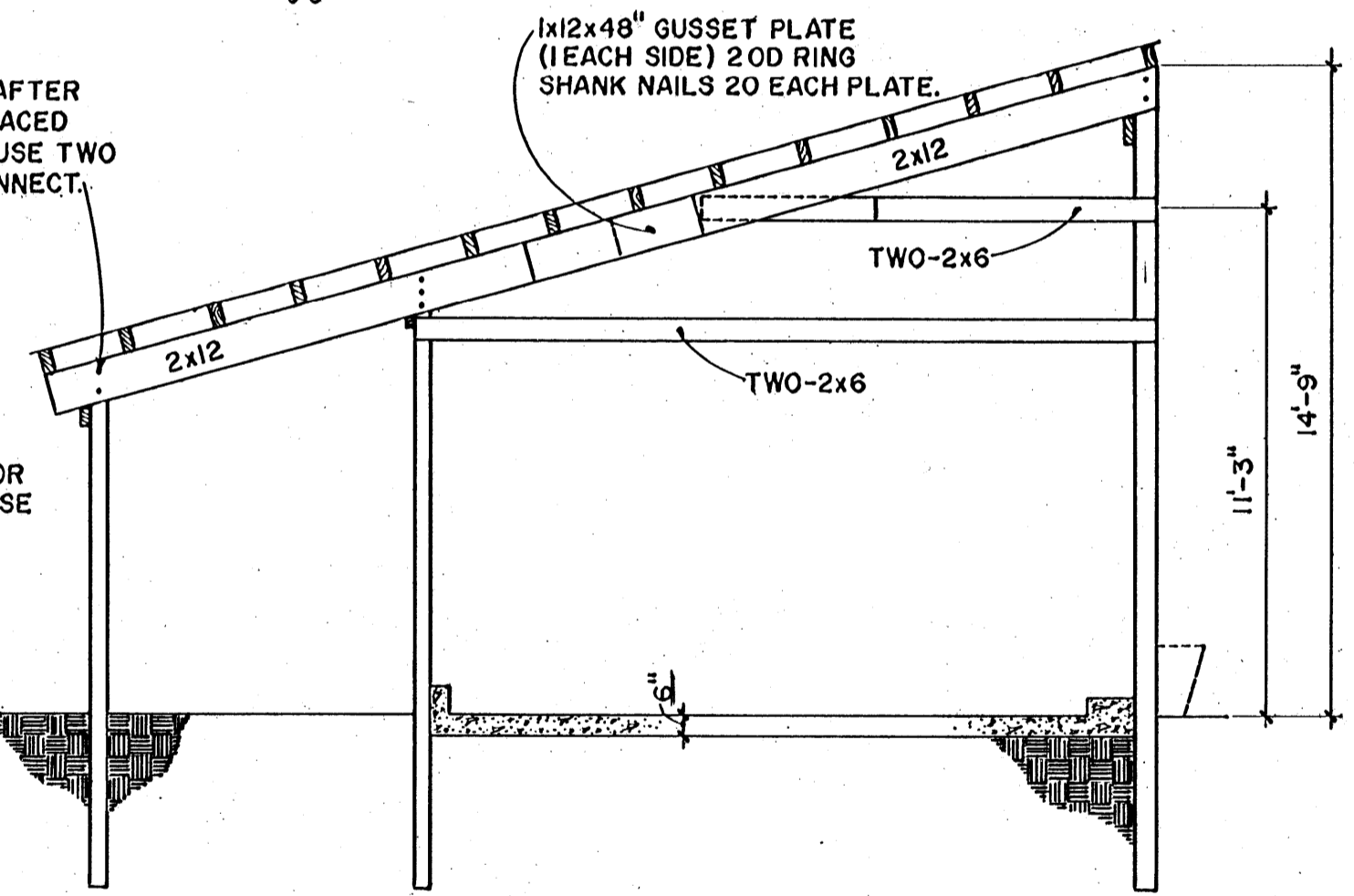
PHASE 3 WITH DRIVE-THROUGH ALLEY

SCALE: 1/4" = 1'-0" 12' 6' 0" 1' 2' 3' 4' 9' 3"

NOTE:
IN PHASE TWO, 2x8 RAFTER ON ENDWALLS IS REPLACED WITH A 2x12 RAFTER. USE TWO 1/2" MACH. BOLTS TO CONNECT.

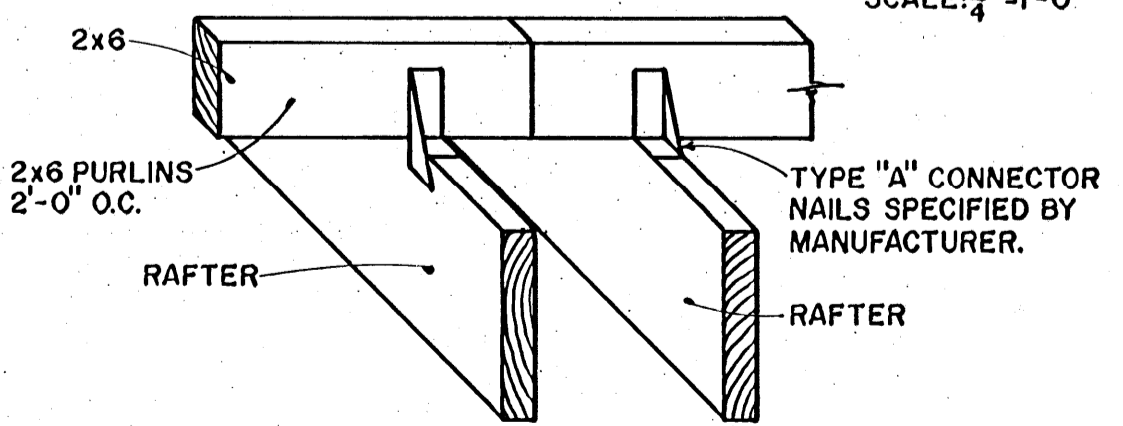
NOTE:
GIRT ARRANGEMENT FOR SIDING SAME AS IN PHASE ONE.

GROUND LEVEL



PHASE 2

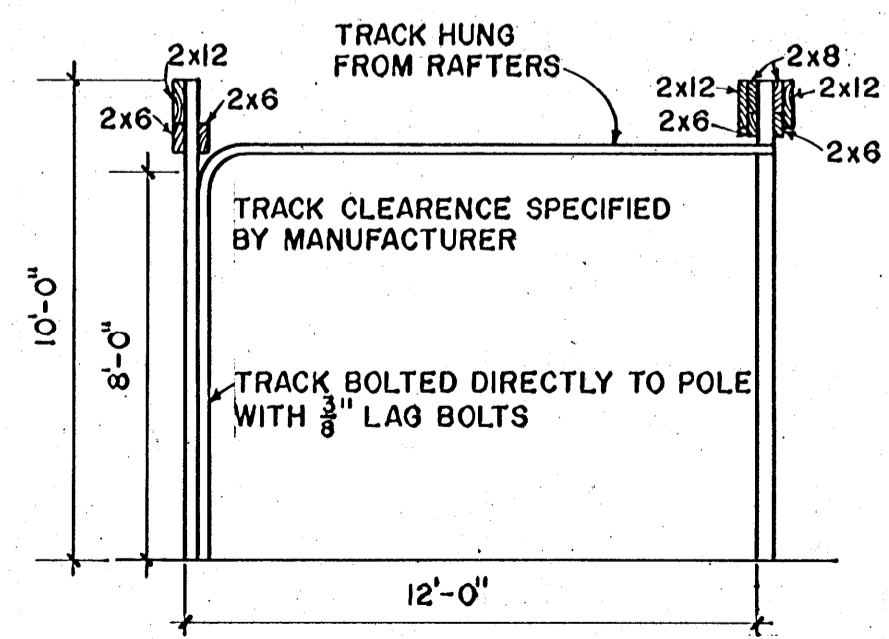
SCALE: 1/4" = 1'-0"



PURLIN TIE TO RAFTER

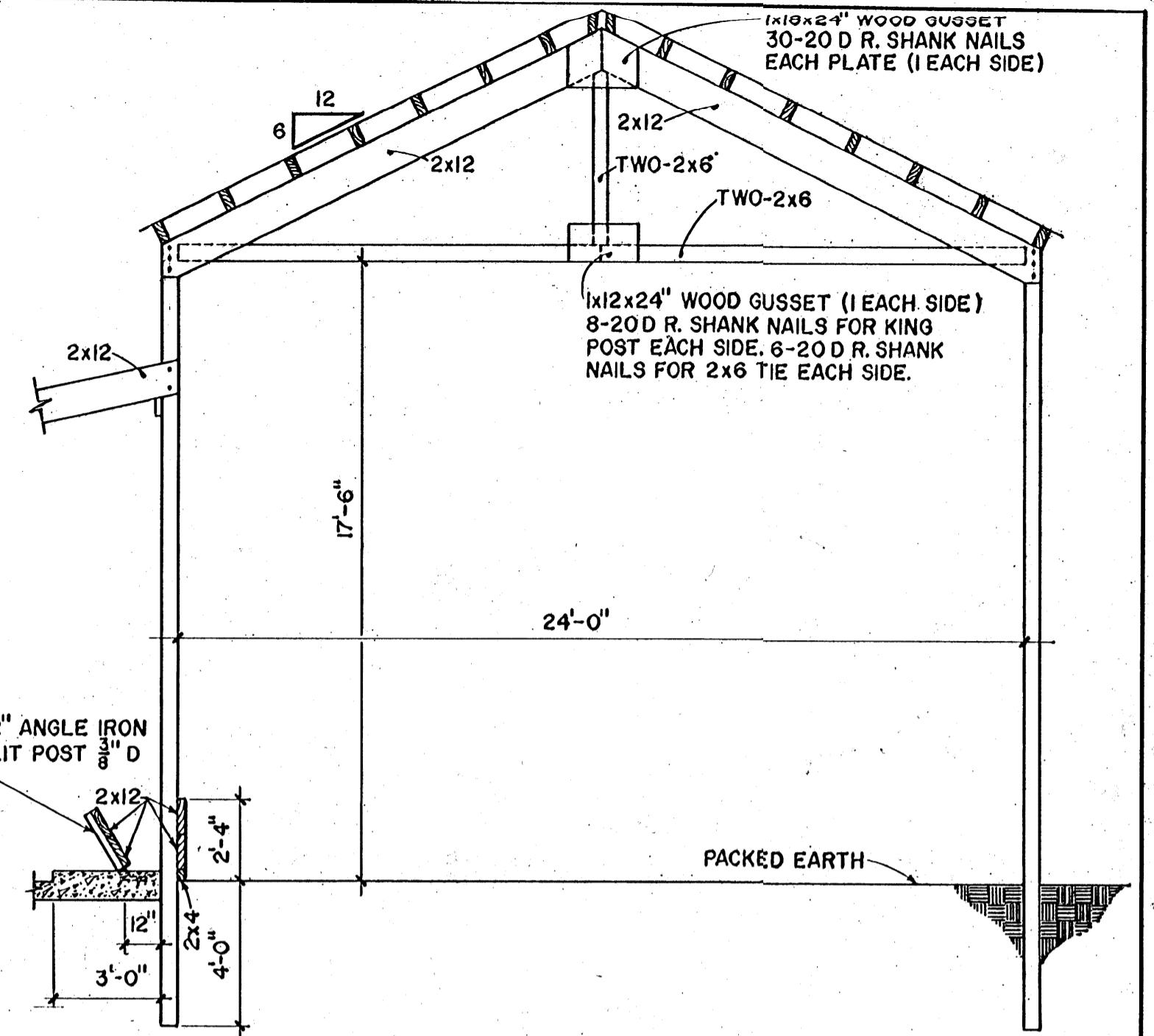
SCALE: 1" = 1'-0" 12' 9' 6' 3' 0" 1'

NOTE:
2x4 END GIRTS AND SIDE GIRTS SPACED 2'-0" APART. 2x12 PRESS. TREATED SET 4'-0" BELOW GROUND LEVEL. USE TWO-40D R. SHANK NAILS ON 2x4'S. USE THREE-40D R. SHANK NAILS ON 2x12. USE THREE-40D R. SHANK NAILS ON 2x6.



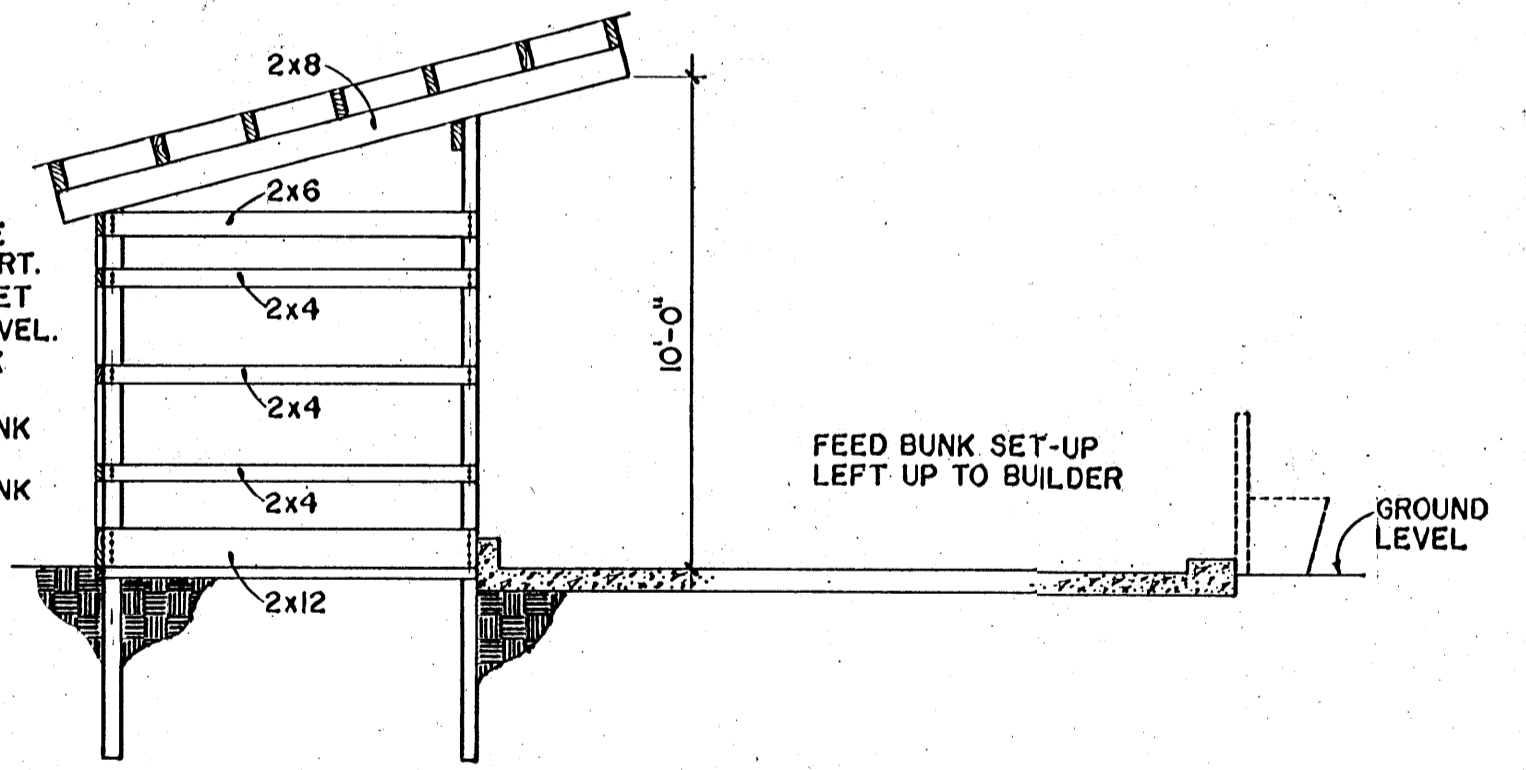
8' DOOR SIDE VIEW

SCALE: 1/4" = 1'-0"



HAY BARN AS AN ALTERNATE TO DRIVE-THROUGH ALLEY

SCALE: 1/4" = 1'-0"



PHASE 1

SCALE: 1/4" = 1'-0"

COOPERATIVE EXTENSION WORK IN AGRICULTURE AND HOME ECONOMICS
STATE OF MISSISSIPPI
MISSISSIPPI STATE UNIVERSITY
AND
UNITED STATES DEPARTMENT OF AGRICULTURE COOPERATING

HAY BARN

WYO. '78 6310 SHEET 2 OF 2