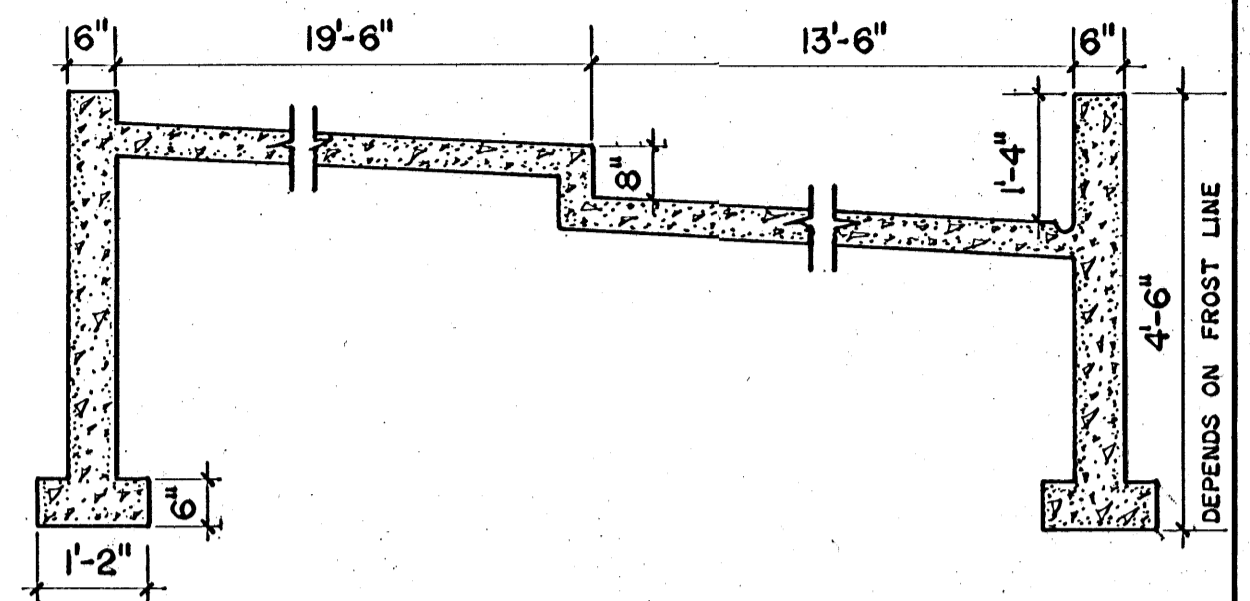


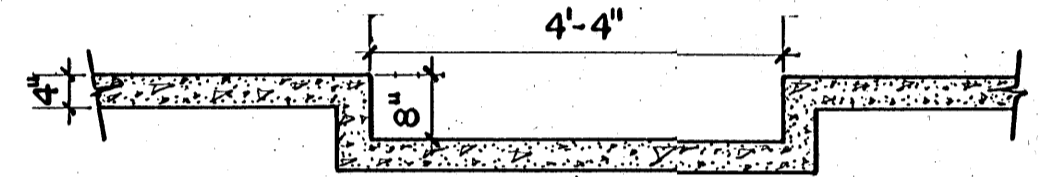
FLOOR PLAN

SCALE: $\frac{1}{4}'' = 1'-0''$



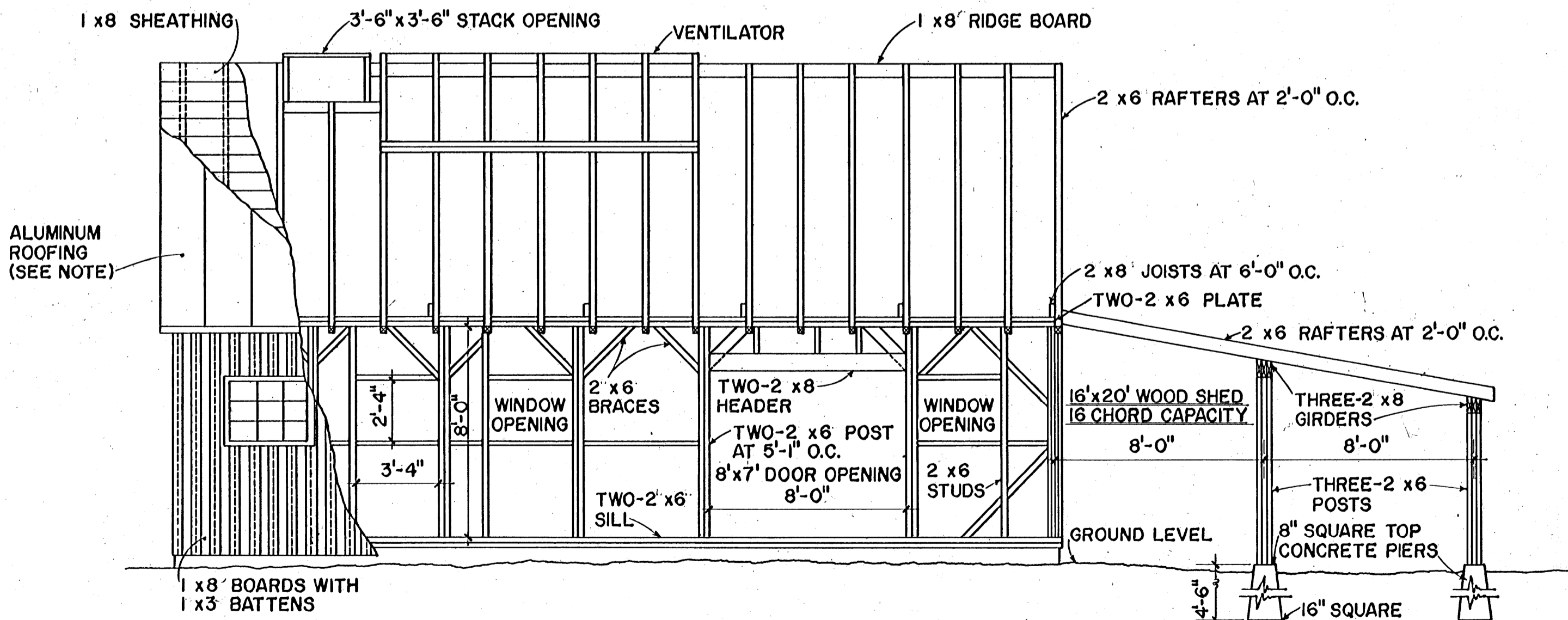
SECTION THROUGH FOUNDATION

SCALE: $\frac{1}{2}'' = 1'-0''$



ASH BOX SECTION

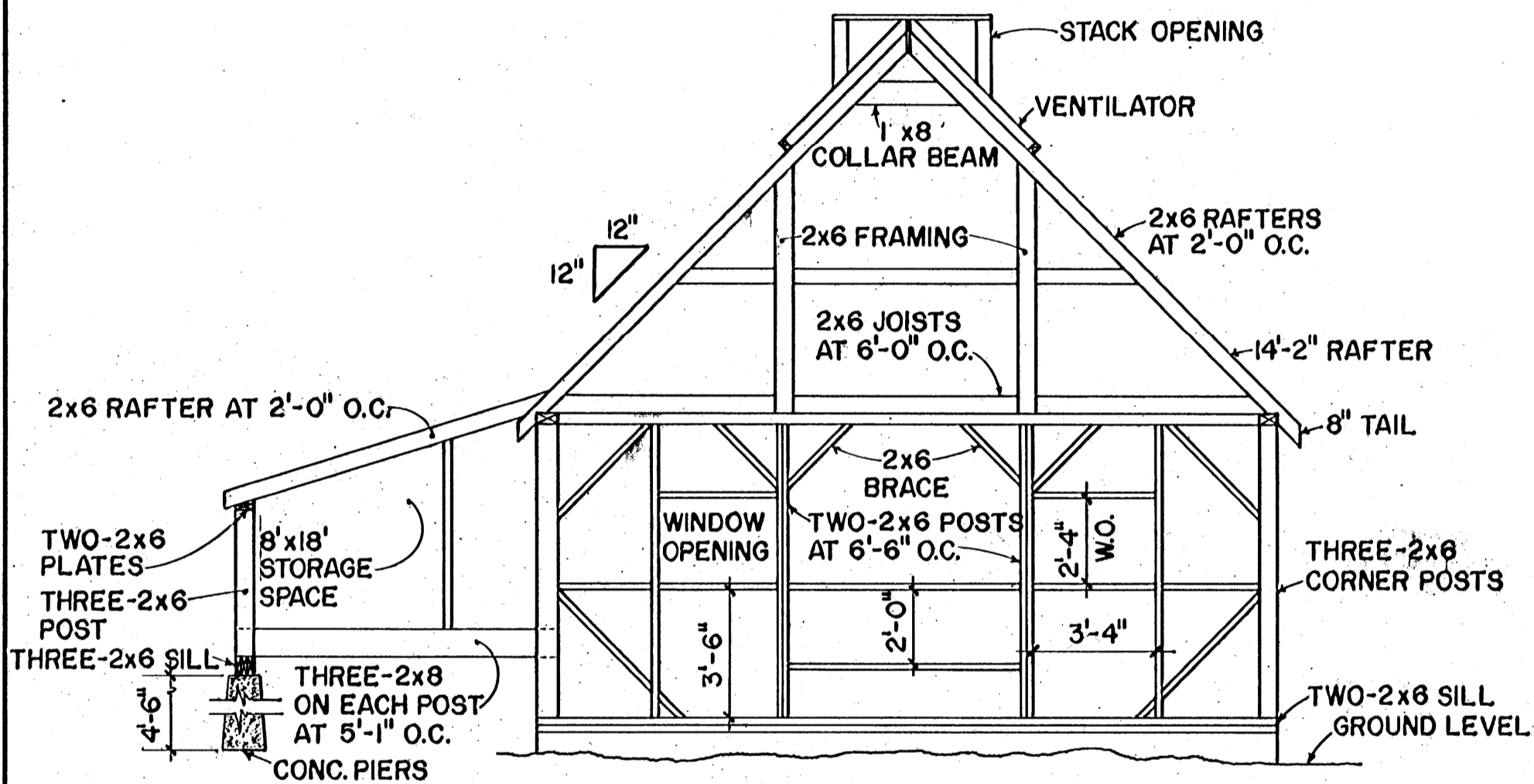
4'-4" x 4'-3 1/2" SCALE: $\frac{1}{2}'' = 1'-0''$



WEST SIDE FRAMING

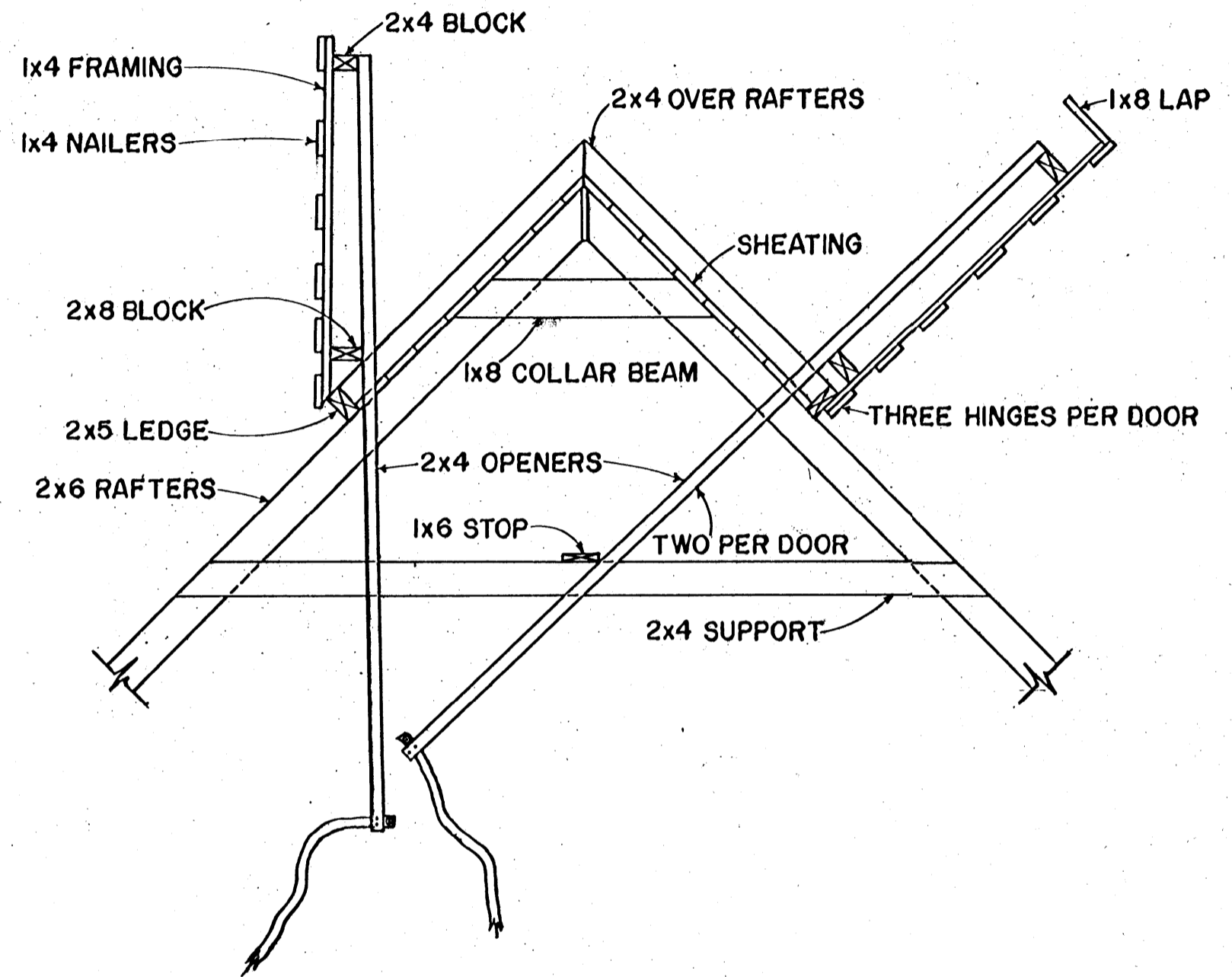
SCALE: $\frac{1}{4}'' = 1'-0''$

COOPERATIVE EXTENSION WORK IN AGRICULTURE AND HOME ECONOMICS		
STATE OF MISSISSIPPI		
MISSISSIPPI STATE UNIVERSITY		
AND UNITED STATES DEPARTMENT OF AGRICULTURE COOPERATING		
SUGAR HOUSE		
VT. '78	6308	SHEET 1 OF 2



NORTH END FRAMING

SCALE: $\frac{1}{4}'' = 1'-0''$ 12' 8' 0' 1' 2' 3' 4'
 9' 3'



SECTION THROUGH VENTILATOR

SCALE: $\frac{1}{2}'' = 1'-0''$ 12' 6' 0' 1' 2' 3'
 9' 3'

COOPERATIVE EXTENSION WORK IN AGRICULTURE AND HOME ECONOMICS		
STATE OF MISSISSIPPI MISSISSIPPI STATE UNIVERSITY		
UNITED STATES DEPARTMENT OF AGRICULTURE COOPERATING		
SUGAR HOUSE		
VT. '78	6308	SHEET 2 OF 2