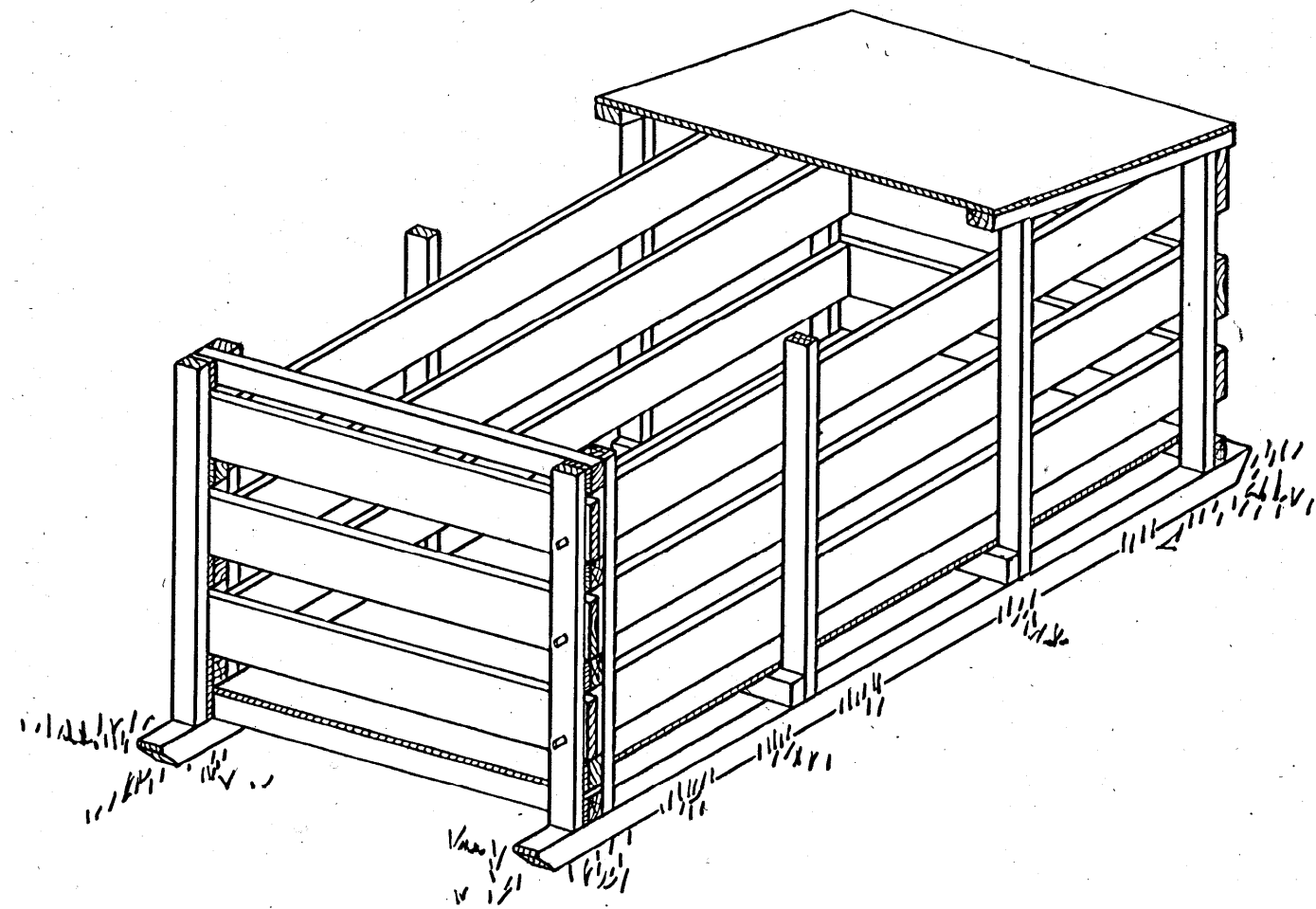
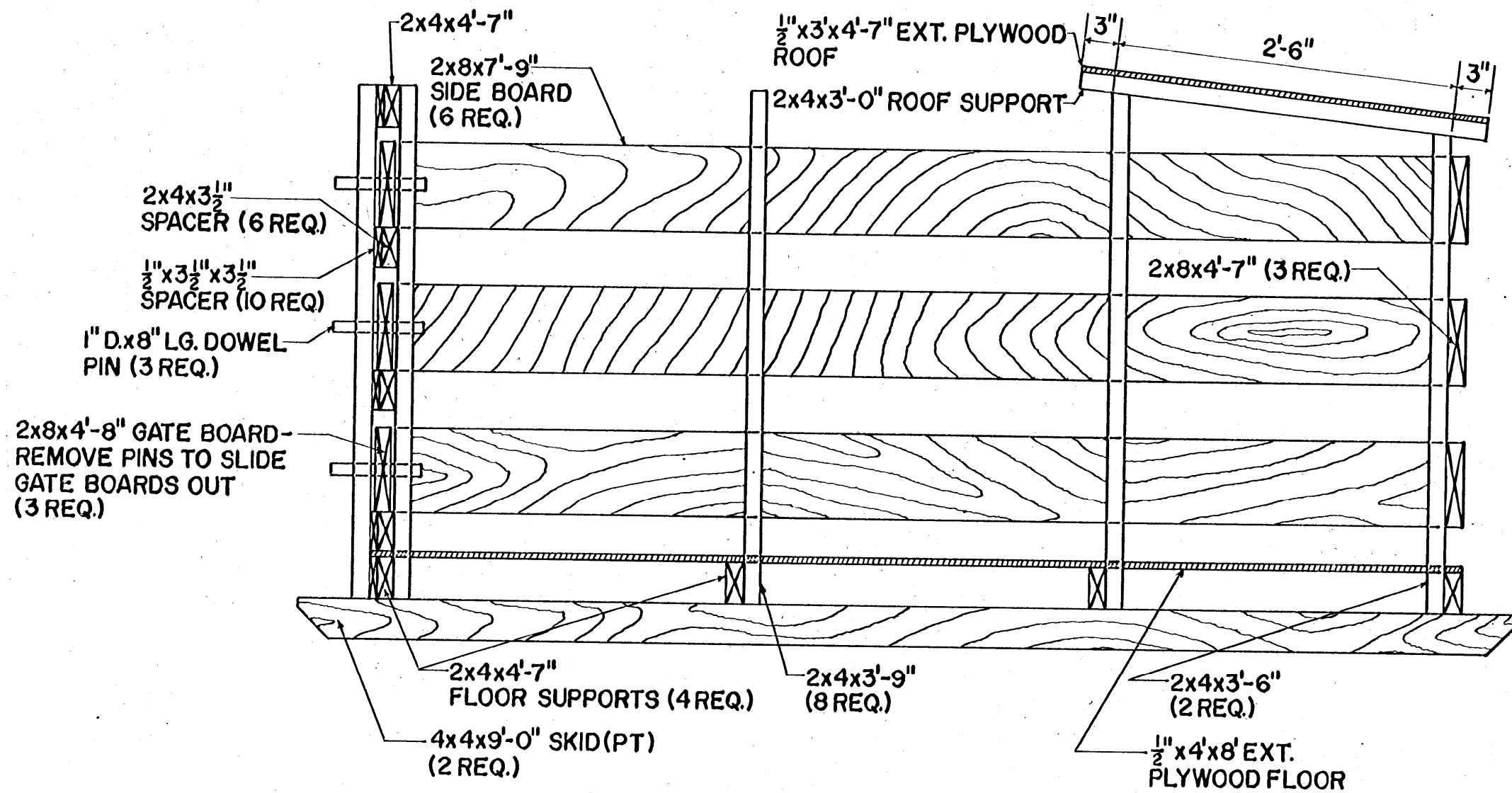


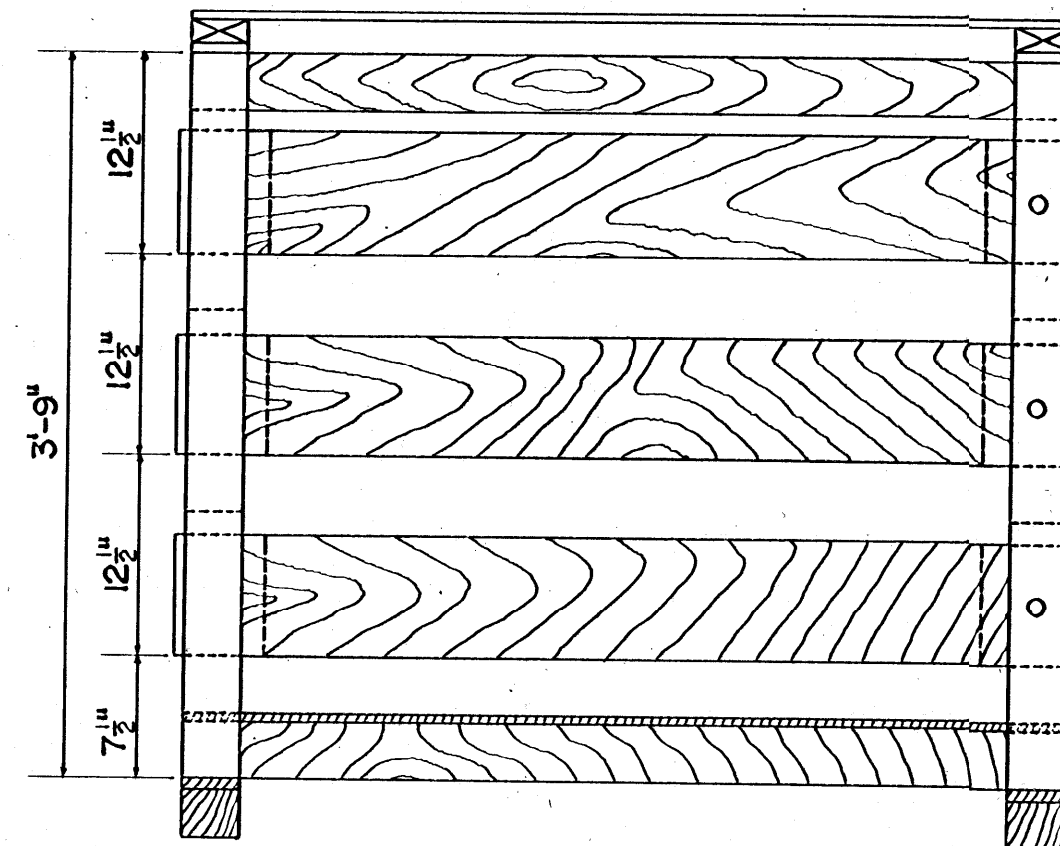
PLAN



PICTORIAL  
NOT TO SCALE



SIDE ELEVATION



ELEVATION-GATED END

12' 9' 6' 3' 0' 1' 2'  
SCALE: 1"=1'-0" UNLESS OTHERWISE NOTED

COOPERATIVE EXTENSION WORK IN  
AGRICULTURE AND HOME ECONOMICS  
STATE OF WEST VIRGINIA  
MORGANTHAU UNIVERSITY  
AND  
UNITED STATES DEPARTMENT OF AGRICULTURE COOPERATING

**BACKYARD PIGPEN**

W.VA.	'78	6305	SHEET 1 OF 1
-------	-----	------	--------------

BASED ON: WEST VIRGINIA UNIVERSITY PLAN NO. SW-159