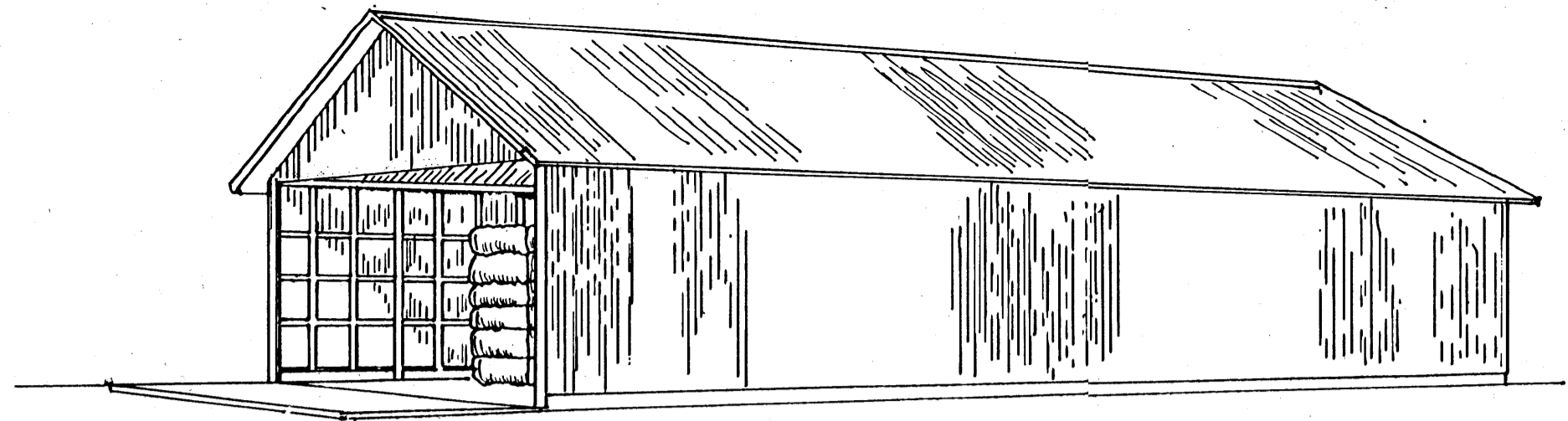
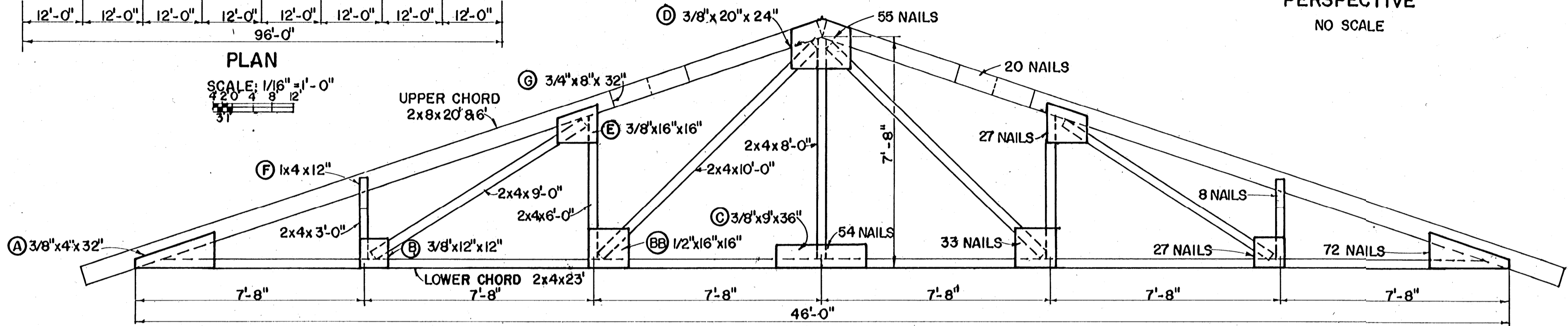


PLAN

SCALE: 1/16" = 1'-0"
 4 2 0 4 8 12
 31

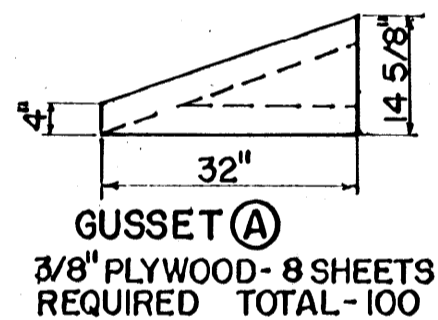


PERSPECTIVE
 NO SCALE

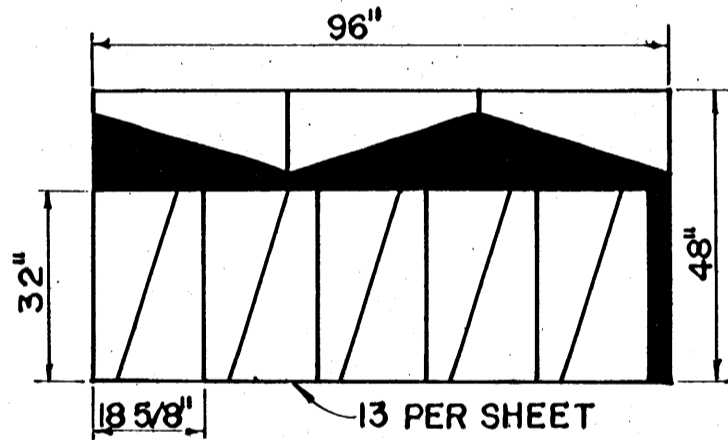


TRUSS DETAIL A

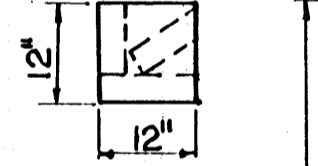
NOTE:
 THE NUMBER OF NAILS SPECIFIED FOR EACH JOINT SHOULD BE DIVIDED EVENLY BETWEEN THE TWO SIDES OF THE JOINT AND THE MEMBERS IN THE JOINT.



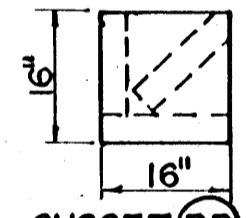
GUSSET (A)
 3/8" PLYWOOD - 8 SHEETS
 REQUIRED TOTAL - 100



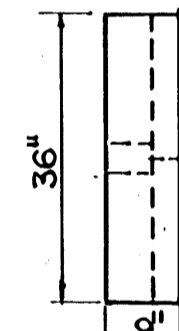
13 PER SHEET



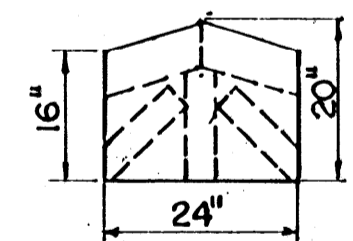
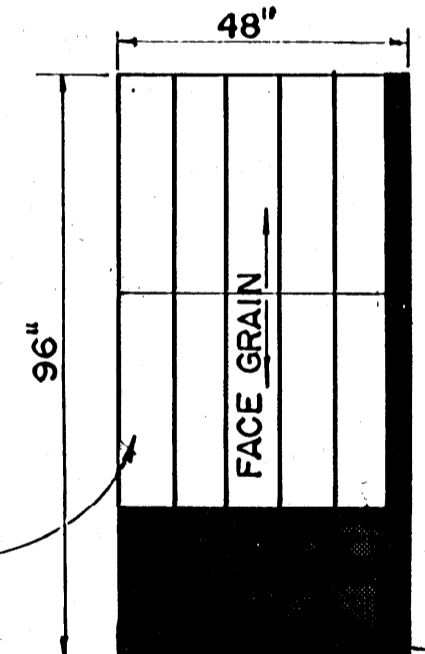
GUSSET (BB)
 3/8" PLYWOOD
 3 SHEETS REQ'D
 PLUS 4 CUT FROM
 REMNANTS OF (A)
 32 PER SHEET
 TOTAL - 100



GUSSET (BB)
 1/2" PLYWOOD
 6 SHEETS REQ'D
 18 PER SHEET
 TOTAL - 100



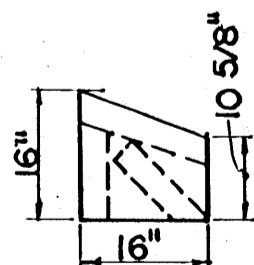
GUSSET (C)
 3/8" PLYWOOD
 5 SHEETS REQUIRED
 10 PER SHEET
 TOTAL 50



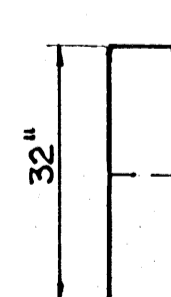
GUSSET (D)
 3/8" PLYWOOD
 6 SHEETS REQ'D
 9 PER SHEET
 TOTAL - 50

DETAIL OF GUSSETS
 SCALE: 1/2" = 1'-0"

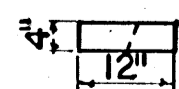
12 6 0



GUSSET (E)
 3/8" PLYWOOD
 5 SHEETS REQ'D
 PLUS 10 CUT FROM
 REMNANTS OF (D)
 18 PER SHEET
 TOTAL - 100



GUSSET (G)
 3/4" PLYWOOD
 6 SHEETS REQ'D
 18 PER SHEET
 TOTAL - 100



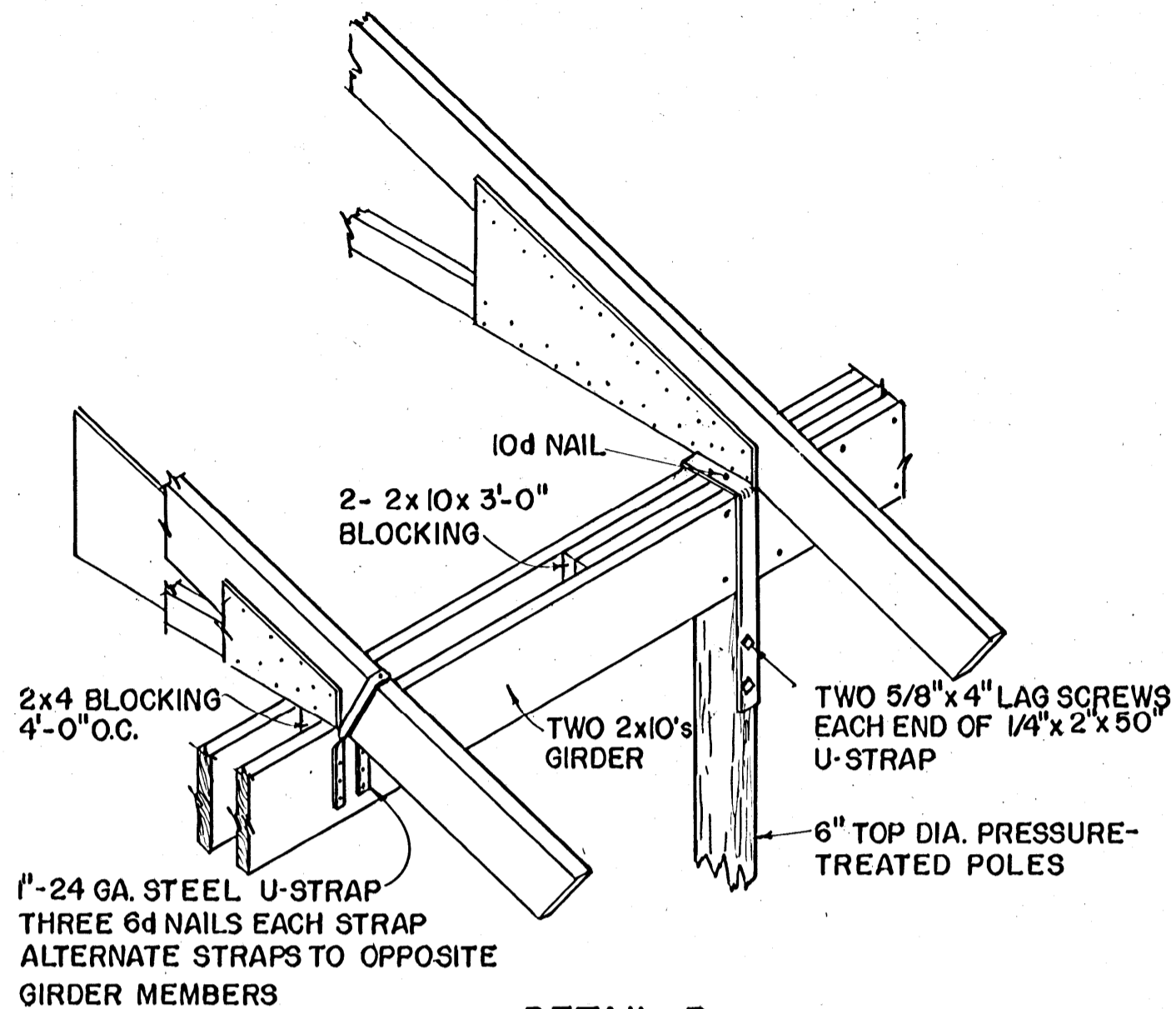
GUSSET (F)
 BUY 10- 1x4x10'-0"
 CUT 100- 1x4x12"

SCALE: 3/8" = 1'-0" UNLESS OTHERWISE NOTED.

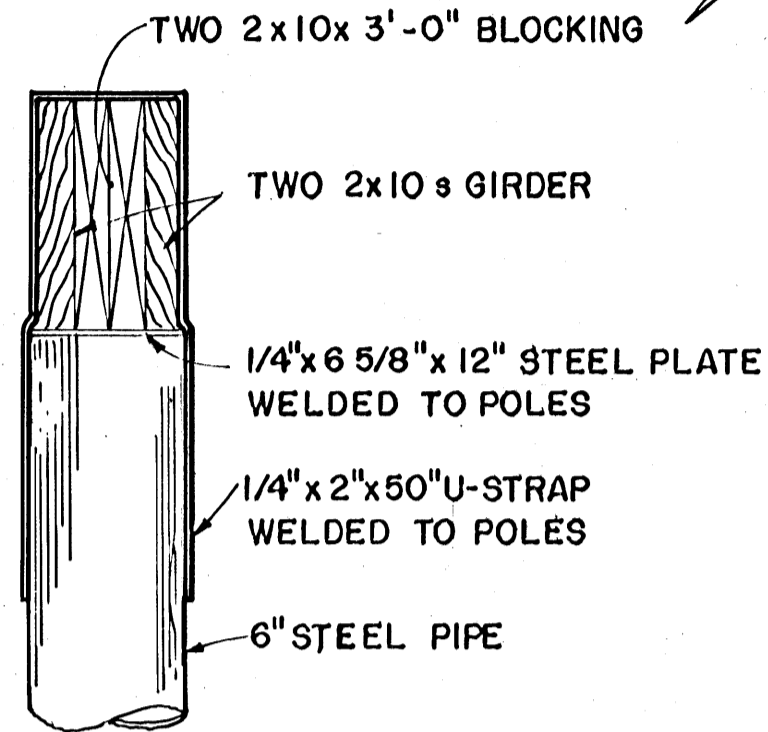
COOPERATIVE EXTENSION WORK IN
 AGRICULTURE AND HOME ECONOMICS
 STATE OF MISSISSIPPI
 MISSISSIPPI STATE UNIVERSITY
 AND
 UNITED STATES DEPARTMENT OF AGRICULTURE COOPERATING

BARN FOR AUTOMATIC BALE WAGONS

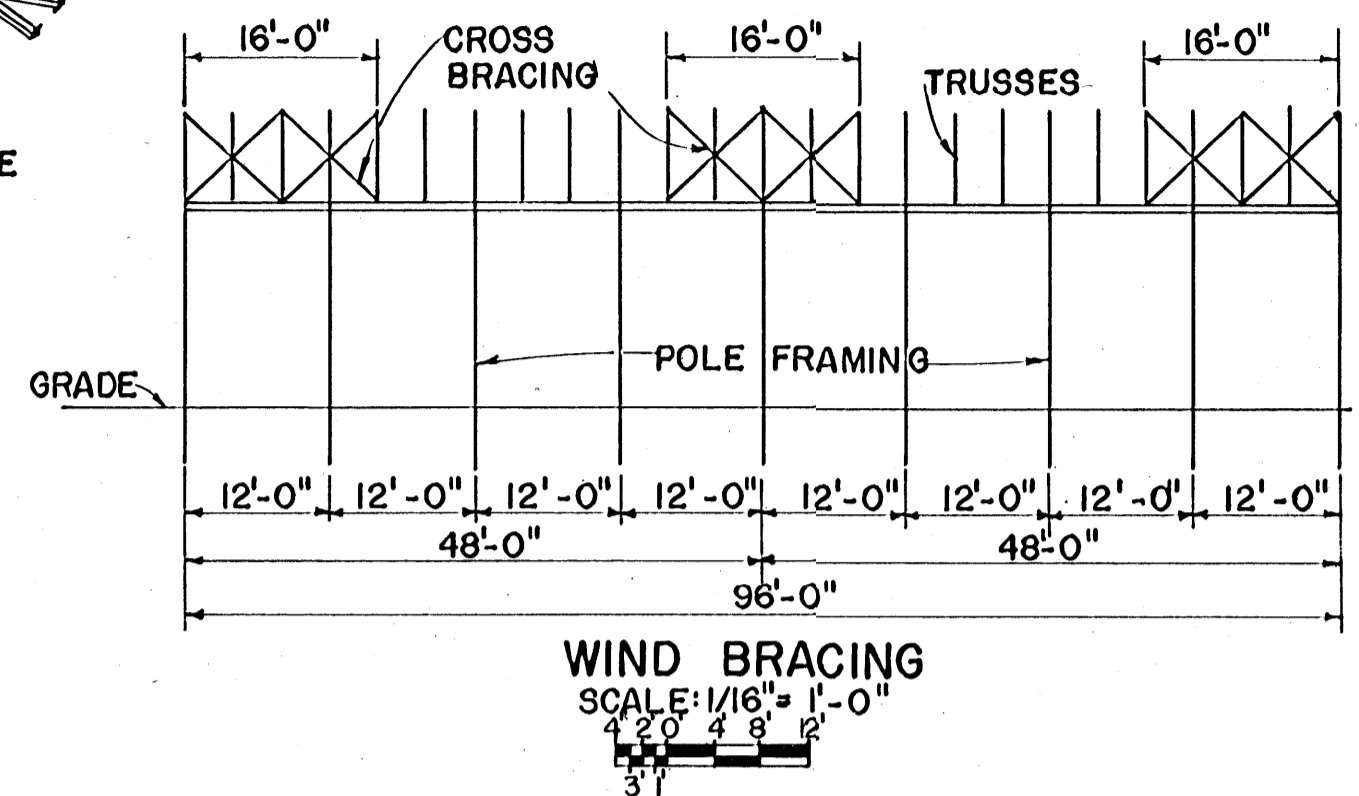
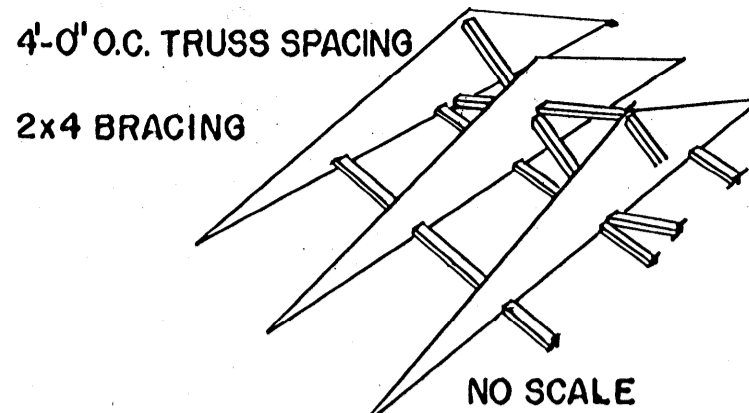
OKLA. '77 6279 SHEET 1 OF 3



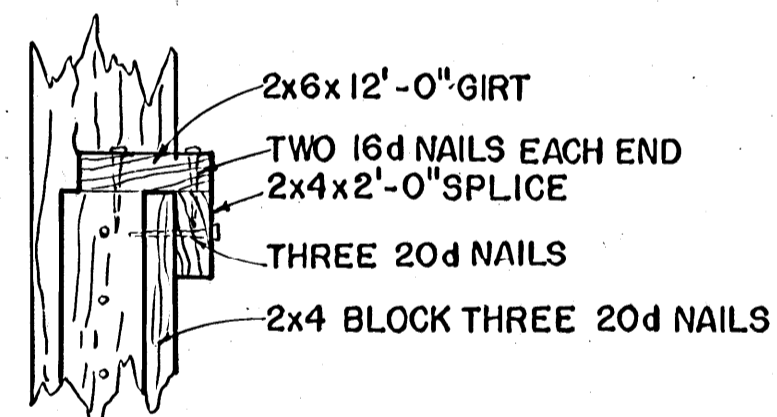
DETAIL B
(WOOD POLES)
SCALE: 3/4" = 1'-0"
1 2 3 4 5 6 7 8 9 10 11 12



DETAIL B'
(STEEL POLES)
SCALE: 1 1/2" = 1'-0"

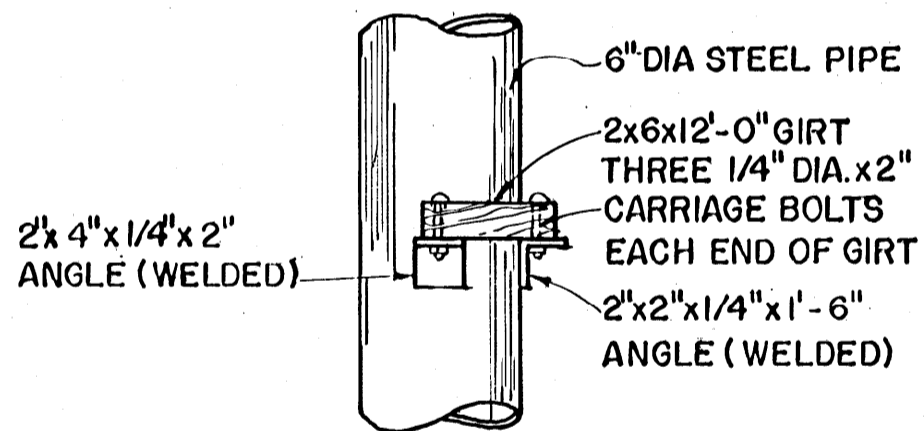


WIND BRACING
SCALE: 1/16" = 1'-0"
1 2 3 4 5 6 7 8 9 10 11 12

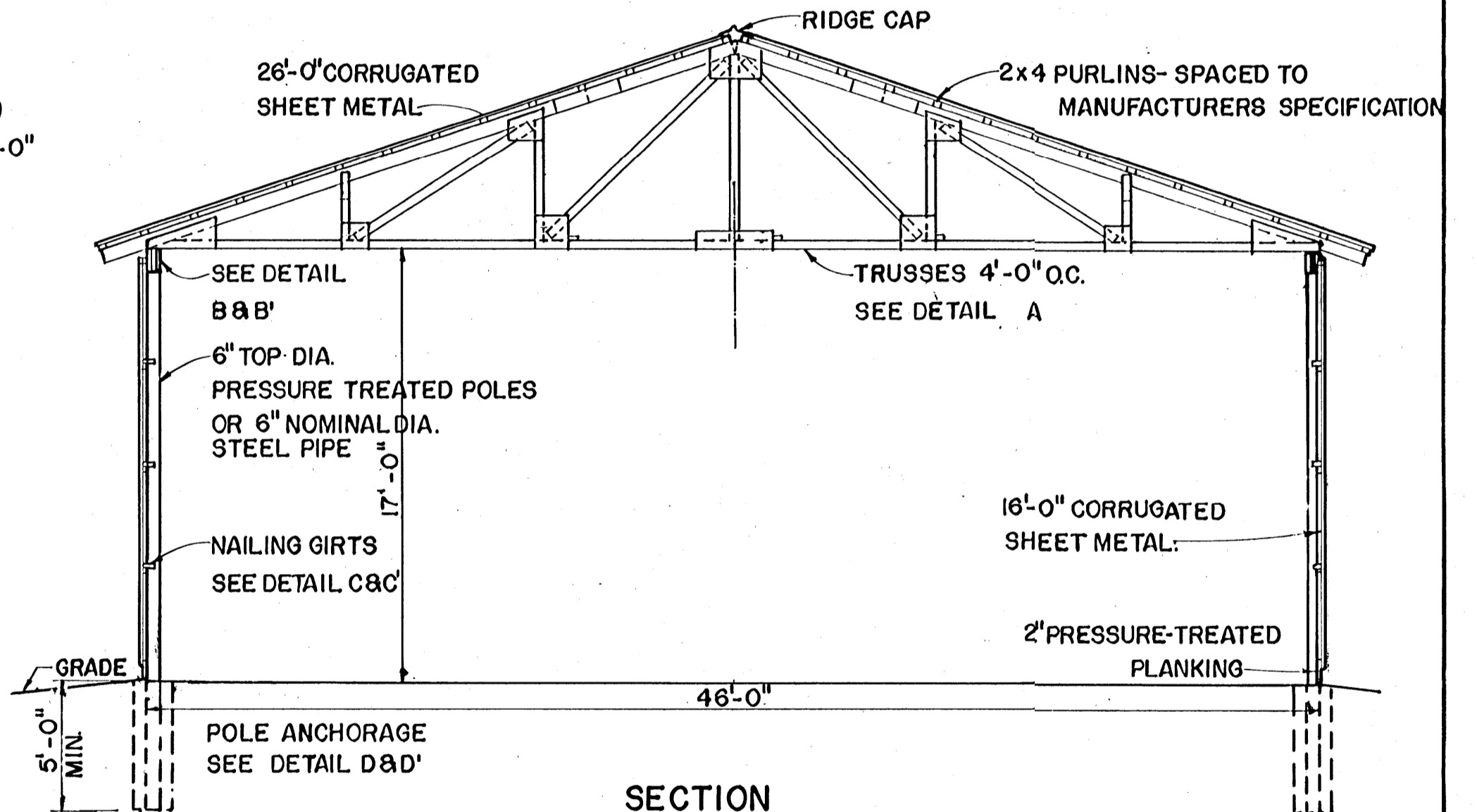


DETAIL C
WALL GIRTS
(WOOD POLES)

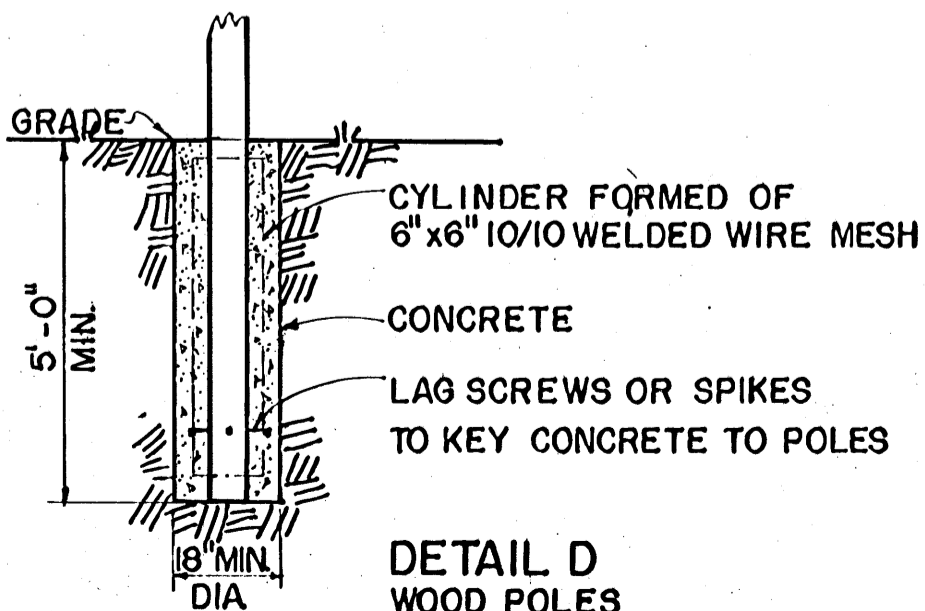
SCALE: 1 1/2" = 1'-0"
1 2 3 4 5 6 7 8 9 10 11 12



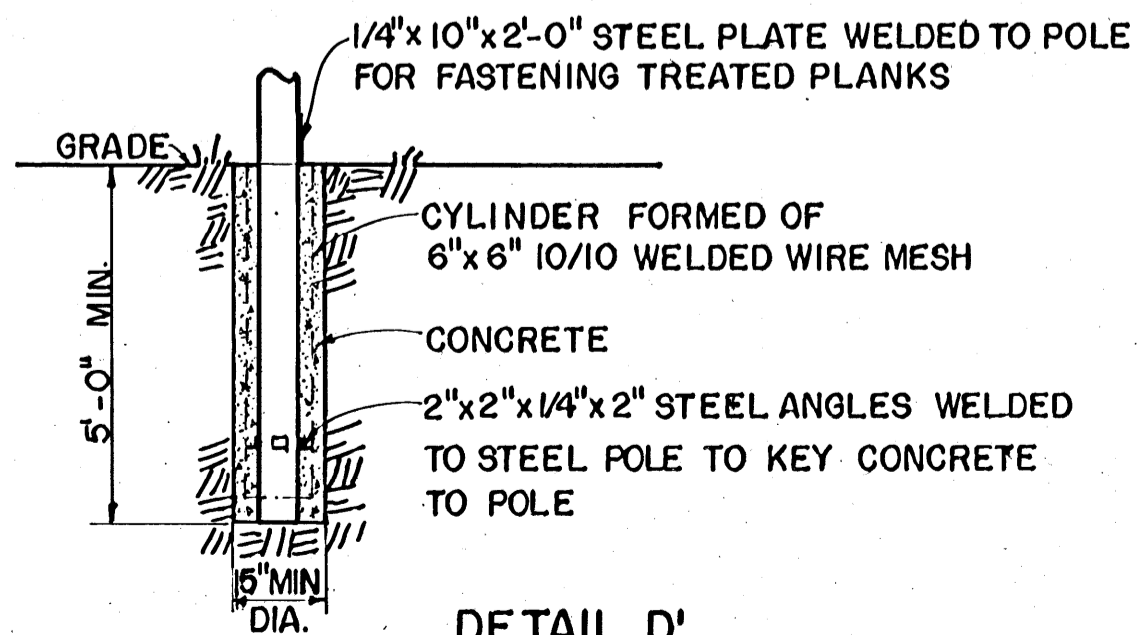
DETAIL C'
WALL GIRTS
(STEEL POLES)



SECTION
SCALE: 3/16" = 1'-0"
1 2 3 4 5 6 7 8 9 10 11 12



DETAIL D
WOOD POLES



DETAIL D'
STEEL POLES

SCALE: 3/8" = 1'-0" UNLESS OTHERWISE NOTED.

COOPERATIVE EXTENSION WORK IN
AGRICULTURE AND HOME ECONOMICS
STATE OF MISSISSIPPI
MISSISSIPPI STATE UNIVERSITY
AND
UNITED STATES DEPARTMENT OF AGRICULTURE COOPERATING

BARN FOR AUTOMATIC BALE WAGONS

OKLA. '77 6279 SHEET 2 OF 3

BILL OF MATERIALS - BASIC BUILDING (46' x 96') - NO SIDES

POLES

WOOD - 6" MINIMUM TOP DIAMETER
10" MINIMUM BUTT DIAMETER. SELECT POLES THAT ARE STRAIGHT OR
18 - 22'-0" LENGTH (396 LIN. FT.)

STEEL - 6" NOMINAL DIAMETER STEEL PIPE
6.625" OUTSIDE DIAMETER, .280" WALL
THICKNESS. SELECT PIPE THAT IS FREE
OF DEEP RUST PITS AND APPLY RUST-PROOF
PAINT AFTER ERECTION. HOLES MUST NOT
BE DRILLED THRU THE POLES.
18 - 22'-0" LENGTH (396 LIN. FT.)

GIRDERS

<u>BUY</u>	<u>CUT</u>	
40 - 2 x 10 x 12'-0"	32 - 2 x 10 x 12'-0"	(800 BD. FT.)
	28 - 2 x 10 x 3'-0"	
	8 - 2 x 10 x 1'-6"	

BLOCKING - 2 - 2 x 4 x 12'-0" 32 - 2 x 4 x 9" (16 BD. FT.)

NAILS - 15 LBS. 10d COMMON NAILS

PURLINS - USE LAP NAILING WITH TWO 10d RING-SHANK HARDENED NAILS PER MEMBER.
224 - 2 x 4 x 14'-0" (OR NUMBER REQUIRED BY ROOF MANUFACTURER'S SPECIFIED SPACING).
(2070 BD. FT.)

NAILS - 28 LBS. 10d RING-SHANK HARDENED NAILS

ROOFING - 98 SHEETS 26'-0" CORRUGATED METAL ROOFING (51 SQUARES)

SIDING FOR GABLE ENDS - 24 SHEETS 9'-0" OR 12 SHEETS 18'-0"
CORRUGATED METAL SIDING (432 SQ. FT. = 5 SQUARES)

RIDGE CAP - 100 LIN. FT.

NAILS - 280 LBS. LEAD-HEAD, SCREW-SHANK, GALVANIZED ROOFING NAILS

TRUSSES - USE CONSTRUCTION OR NO. 2 YELLOW PINE OR BETTER

	<u>BUY</u>	<u>CUT</u>	
UPPER CHORD	50 - 2 x 8 x 20'-0"	50 - 2 x 8 x 20'-0"	(1,334 BD. FT.)
UPPER CHORD	25 - 2 x 8 x 12'-0"	50 - 2 x 8 x 6'-0"	(400 BD. FT.)
LOWER CHORD	50 - 2 x 4 x 24'-0"	50 - 2 x 4 x 23'-0"	(800 BD. FT.)
WEB	13 - 2 x 4 x 12'-0"	50 - 2 x 4 x 3'-0"	(104 BD. FT.)
WEB	50 - 2 x 4 x 10'-0"	50 - 2 x 4 x 10'-0"	(334 BD. FT.)
WEB	25 - 2 x 4 x 12'-0"	50 - 2 x 4 x 6'-0"	(200 BD. FT.)
WEB	50 - 2 x 4 x 12'-0"	50 - 2 x 4 x 11'-0"	(400 BD. FT.)
KINGPOST	13 - 2 x 4 x 16'-0"	25 - 2 x 4 x 8'-0"	(132 BD. FT.)

GUSSETS - CC EXTERIOR GRADE PLYWOOD

28 SHEETS 3/8"	SEE CUTTING DIAGRAMS
6 SHEETS 1/2"	
6 SHEETS 3/4"	
10 - 1 x 4 x 10'-0"	

NAILS - 100 LBS. 10d HELICALLY - THREADED HARDENED NAILS

WIND BRACING - 24 - 2 x 4 x 12'-0" BOTTOM CHORD (192 BD. FT.)
12 - 2 x 4 x 12'-0" CROSS BRACING (96 BD. FT.)

CONCRETE - 5 CU. YDS. - TO SET POLES

MISCELLANEOUS - 18 - 1/4" x 2" x 50" STEEL U STRAPS
50 - 1" x 24 GAGE x 30" METAL U STRAPS (PLUMBER'S STRAP)
2 LB. 6d COMMON NAILS
400 SQ. FT. 6" x 6" 10/16 WELDED WIRE MESH CUT
18 - 4'-6" x 5'-0" PIECES TO FORM REINFORCING CYLINDERS

WOOD POLES ONLY - 72 - 5/8" x 4" LAG SCREWS FOR U STRAPS
72 - 1/2 x 5" LAG SCREWS OR SPIKES FOR POLE ANCHORAGE

STEEL POLES ONLY - 18 - 1/4 x 6" x 12" STEEL PLATES FOR GIRDER SUPPORT
72 - 3" x 3" x 4" x 1/4" ANGLES FOR POLE ANCHORAGE

ADDITIONAL MATERIALS FOR SIDES AND ONE END

POLES

3 - 6" DIA. TOP PRESSURE-TREATED WOOD OR
3 - 6" NOMINAL DIA. STEEL PIPE POLES - 22'-0" LONG
CONCRETE - 1 CU. YD. REQUIRED TO SET POLES.
REINFORCING MESH AND UPLIFT KEYS NOT REQUIRED.

TREATED PLANKS

40 - 2 x 6 x 12'-0" OR
20 - 2 x 12 x 12'-0" (480 BD. FT.)

WALL GIRTS

60 - 2 x 6 x 12'-0" (720 BD. FT.)

SIDING

SIDE WALLS

96 SHEETS 16'-0" CORRUGATED METAL SIDING (3,072 SQ. FT. - 31 SQUARES)

END WALL

23 SHEETS 17'-0" CORRUGATED METAL SIDING (782 SQ. FT. - 8 SQUARES)

CORNER FLASHING - 40 LIN. FT.

NAILS - 200 LBS. LEAD-HEAD, SCREW-SHANK, GALVANIZED ROOFING NAILS

WOOD POLES ONLY

SPLICE AND GIRT FASTENING

<u>BUY</u>	<u>CUT</u>
11 - 2 x 4 x 12'-0"	51 - 2 x 4 x 2'-0"
(88 BD. FT.)	18 - 2 x 4 x 1'-6"
NAILS - 4 LB. 12d RING-SHANK HARDENED	
2 LB. 16d RING-SHANK HARDENED	

TREATED PLANK FASTENING

NAILS - 3 LB. 16d RING-SHANK HARDENED

STEEL POLES ONLY

SPLICE AND GIRT FASTENING

<u>BUY</u>	<u>CUT</u>
2" x 2" x 169 LIN. FT.	51 - 2" x 2" x 2'-0"
ANGLE IRON	18 - 2" x 2" x 1'-6"
	120 - 2" x 2" x 4"
BOLTS - 360 - 1/4" DIA. x 2" CARRIAGE BOLTS	

TREATED PLANK FASTENING - PLATES WELDED TO POLES

<u>BUY</u>	<u>CUT</u>
310 SQ. FT. OF	17 - 1/4" x 10" x 2'-0"
1/4" STEEL PLATES	6 - 1/4" x 10" x 1'-6"
BOLTS - 52 - 3/8" DIA. x 2 1/2" MACHINE BOLTS WITH LARGE WASHERS	

COOPERATIVE EXTENSION WORK IN
AGRICULTURE AND HOME ECONOMICS
STATE OF MISSISSIPPI
MISSISSIPPI STATE UNIVERSITY
AND
UNITED STATES DEPARTMENT OF AGRICULTURE COOPERATING

BARN FOR AUTOMATIC BALE WAGONS

OKLA. '77

6279

SHEET 3 OF 3