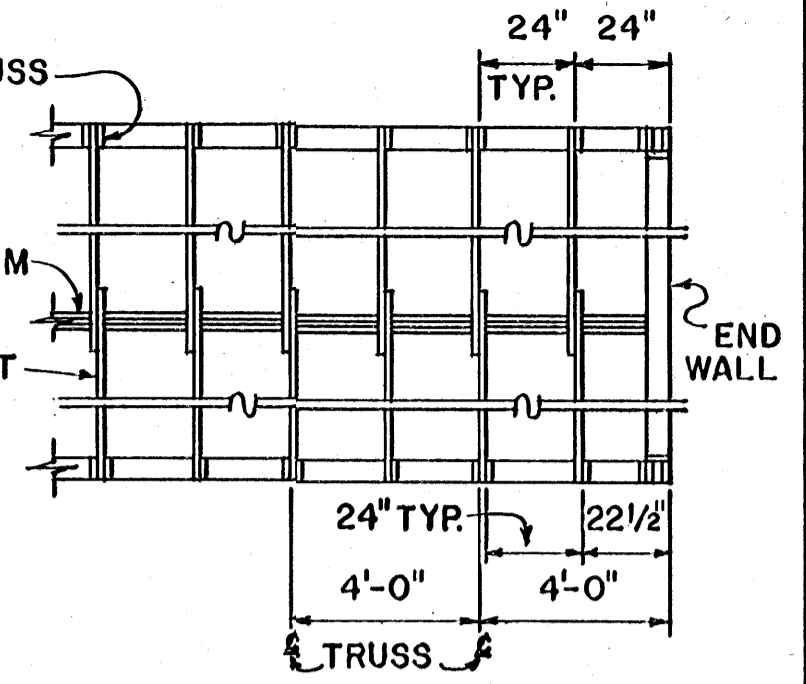


DOUBLE STUDS BELOW EACH TRUSS



FRAMING PLAN
SCALE: 1/4"=1'-0"

TWO 3/8"x5" METAL TRUSS PLATES. ATTACH WITH EIGHT 8d NAILS EACH END OF EACH PLATE

2x8 FASCIA

2x4

TWO 2x6 PLATES

TWO 10d NAILS

6" BLANKET INSULATION, R=19

VAPOR BARRIER

3/8" EXTERIOR PLYWOOD

2x4'S 2'-0" O.C.

HINGE CAGES FROM CONNECTOR BOLTS ONLY

SLIDE & DOOR NOT SHOWN

GUTTER WITH DOWNSPOUTS 50'-0" O.C. DRAIN WATER AWAY FROM FOUNDATION

2x6x7'-8" LONG KNEE BRACE 4'-0" O.C. SET BETWEEN DOUBLE STUDS

SIX 30d POLE BARN NAILS, 3 EACH SIDE

3/8" EXTERIOR PLYWOOD

VAPOR BARRIER

3" BLANKET INSULATION, R=11

2x6x14'-0" STUDS 2'-0" O.C. DOUBLED UNDER TRUSS-SEE DETAIL

CORRUGATED METAL SIDING

AISLE-FIVE 2x8'S (1 1/2"x7 1/2") TYPICAL

3'-11 1/2"

4'-4 3/8"

3'-11 1/2"

4'-4 3/8"

3'-11 1/2"

4'-4 3/8"

3'-11 1/2"

4'-4 3/8"

1'-8"

3'-11 1/2"

2x10x18'-0" FLOOR JOISTS 2'-0" O.C.

2x6 RIBBON, ATTACH WITH 3-20d NAILS EACH STUD

17'-0"

34'-0"

17'-0"

6x6 PRESSURE TREATED COLUMN 12'-0" O.C.

8'-4 1/2"

TWO 2x6 PLATES

1/2"x15" ANCHOR BOLT 6'-0" O.C.

GRADE

1/2" RE-BARS 12" O.C.

1/2" RE-BARS 2'-0" LONG WITH 15" PROJECTION 2'-0" O.C.

2"x4" KEY

4" CONCRETE SLAB

3/4" DIAMETER x 8" LONG GALVANIZED PIPE, DRILL 4" INTO FLOOR AFTER CONCRETE HAS HARDENED

FOOTING 16'x16'x8" DEEP

8" COMPACTED GRAVEL BASE

6x6x10 GAUGE WELDED WIRE MESH

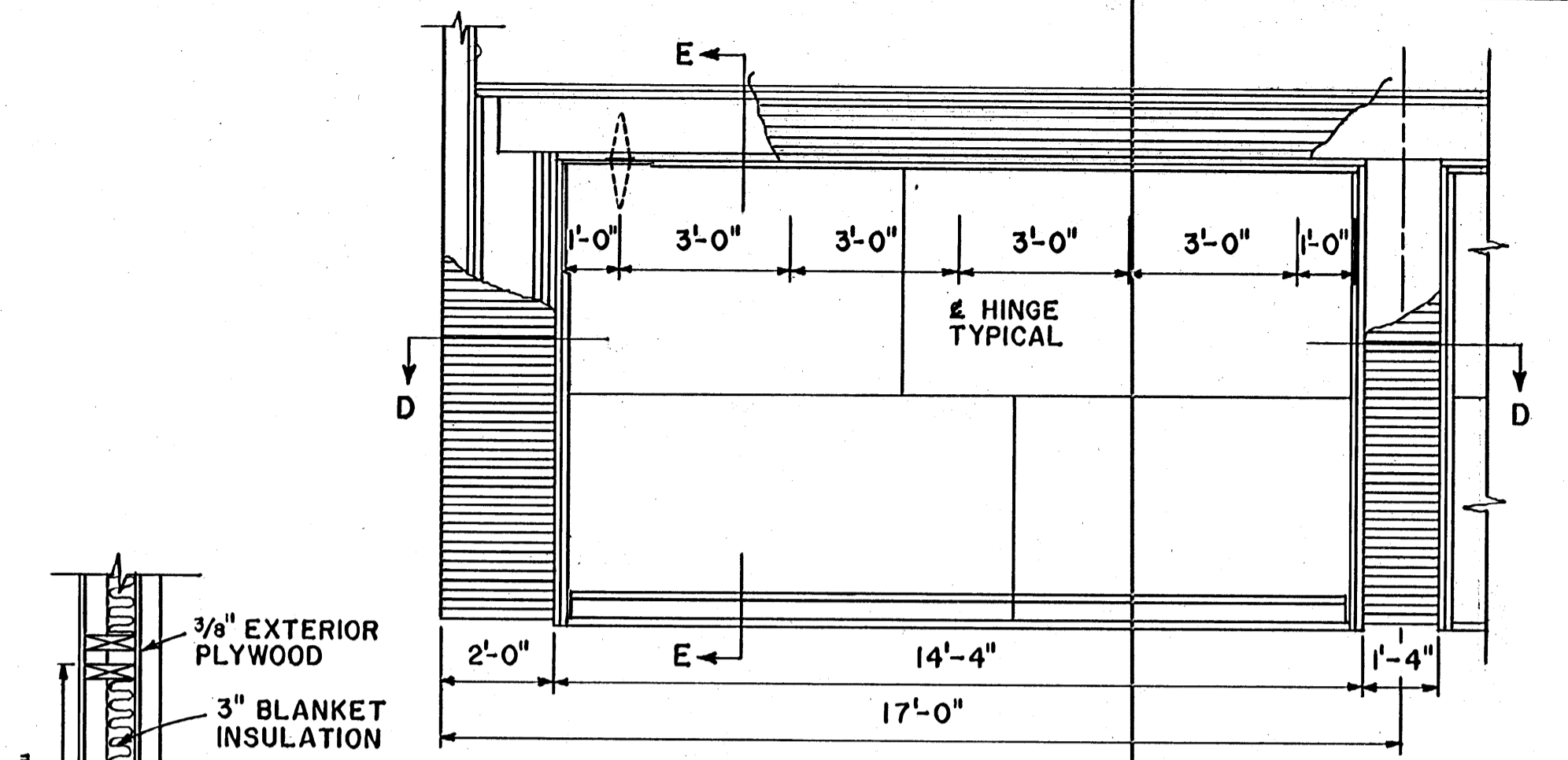
4" CLAY DRAIN TILE

SECTION A-A
SCALE: 1/2"=1'-0"

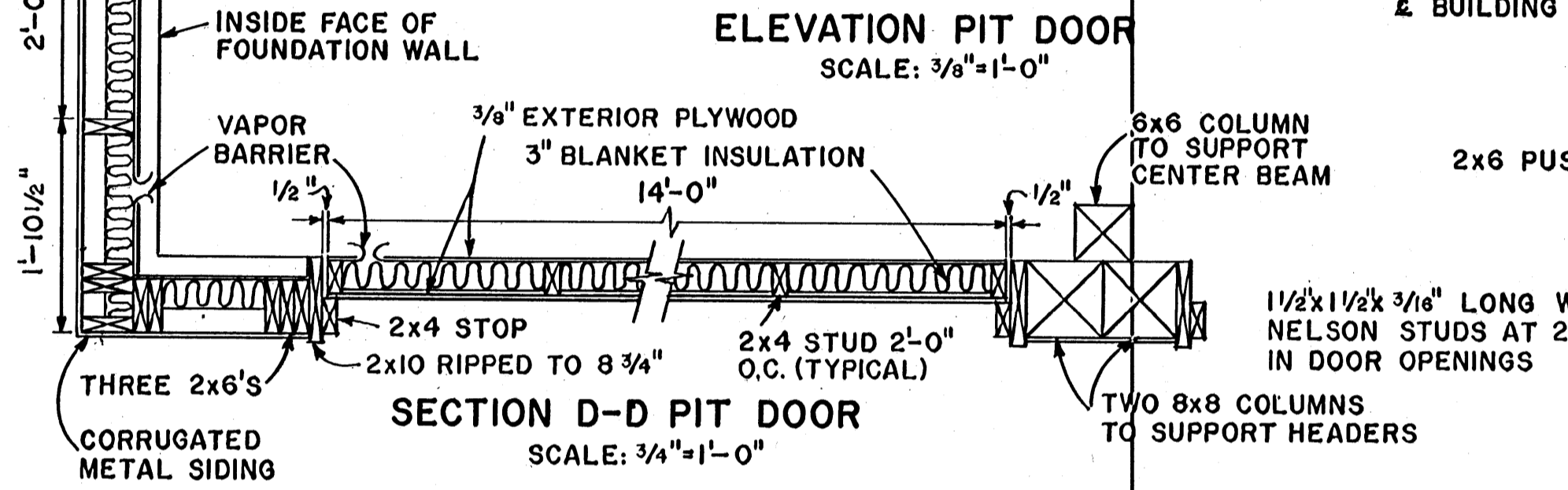
COOPERATIVE EXTENSION WORK IN
AGRICULTURE AND HOME ECONOMICS
STATE OF MISSISSIPPI
MISSISSIPPI STATE UNIVERSITY
AND
UNITED STATES DEPARTMENT OF AGRICULTURE COOPERATING

**CAGE LAYING HOUSE
FOR POULTRY**

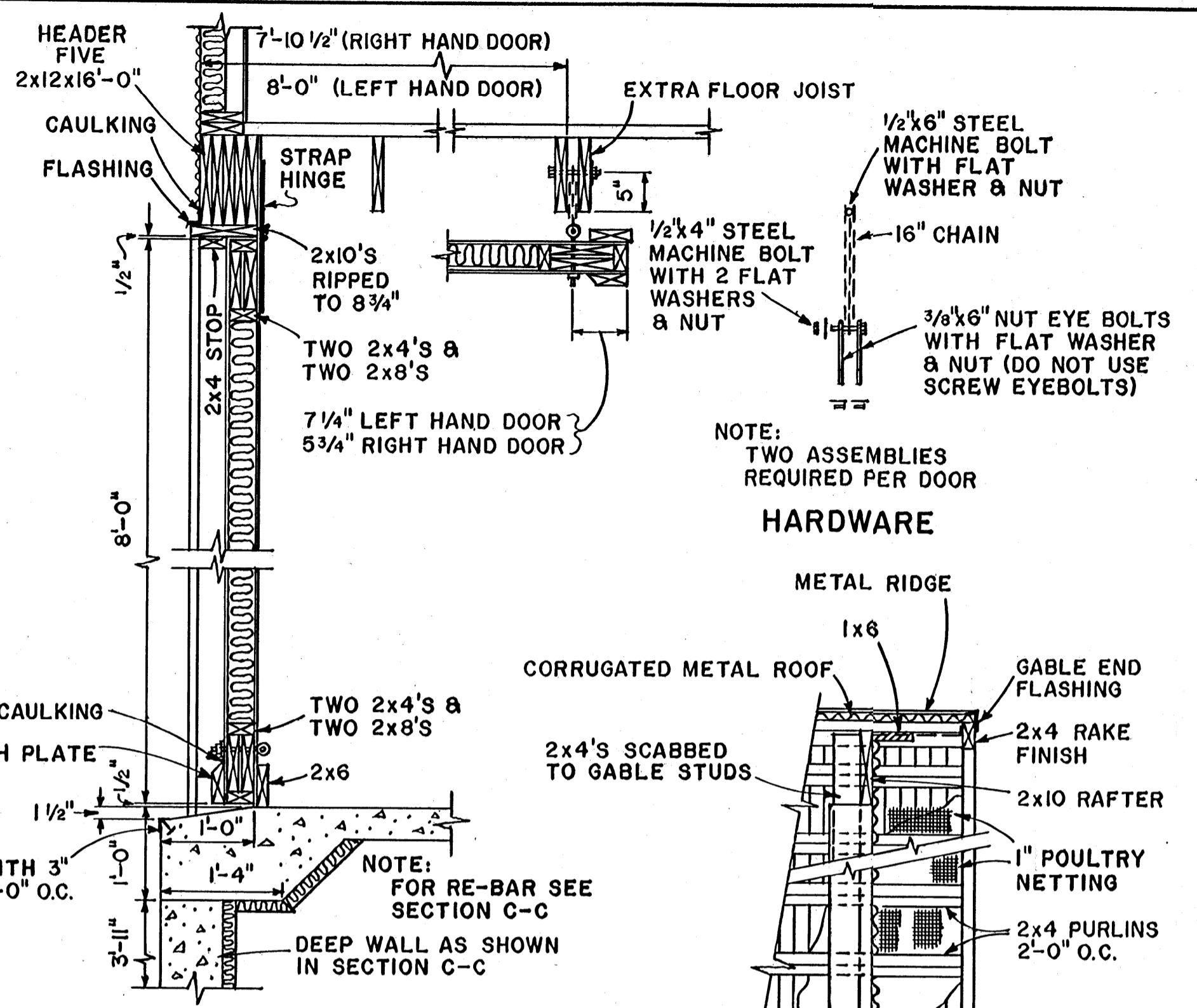
ME.	'73	6166	SHEET 2 OF 6
-----	-----	------	--------------



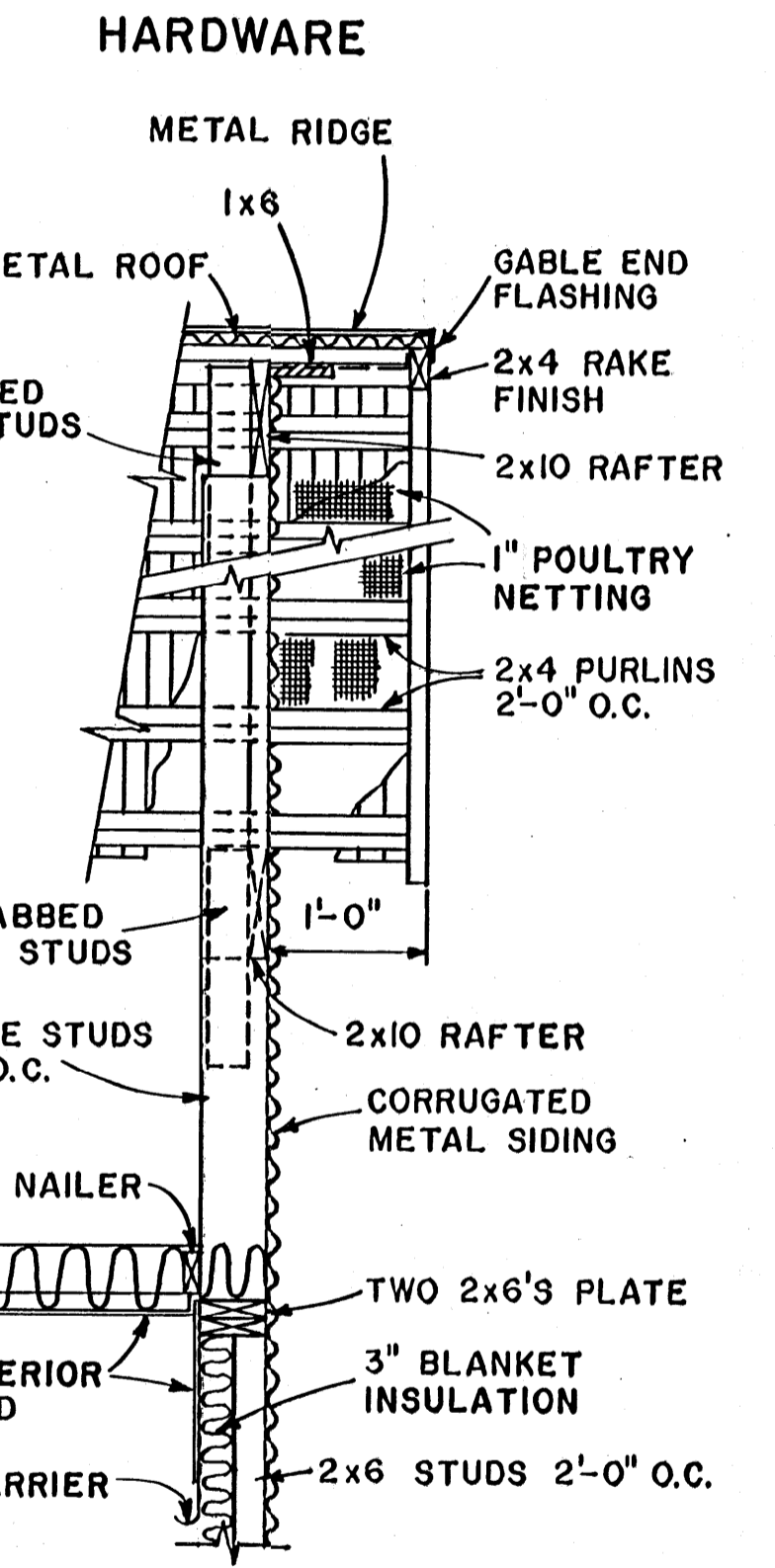
ELEVATION PIT DOOR
SCALE: 3/8"=1'-0"



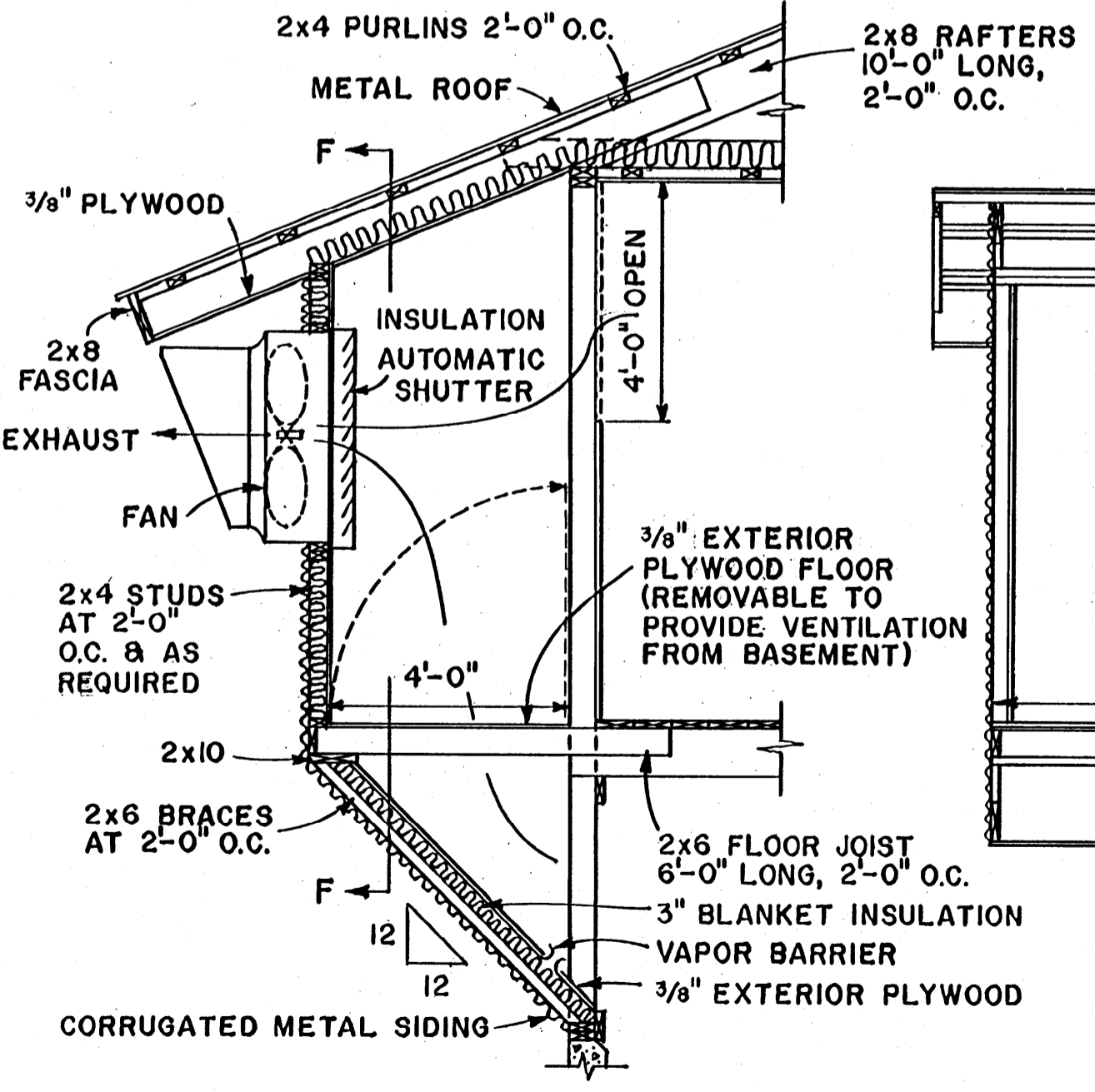
SECTION D-D PIT DOOR
SCALE: 3/4"=1'-0"



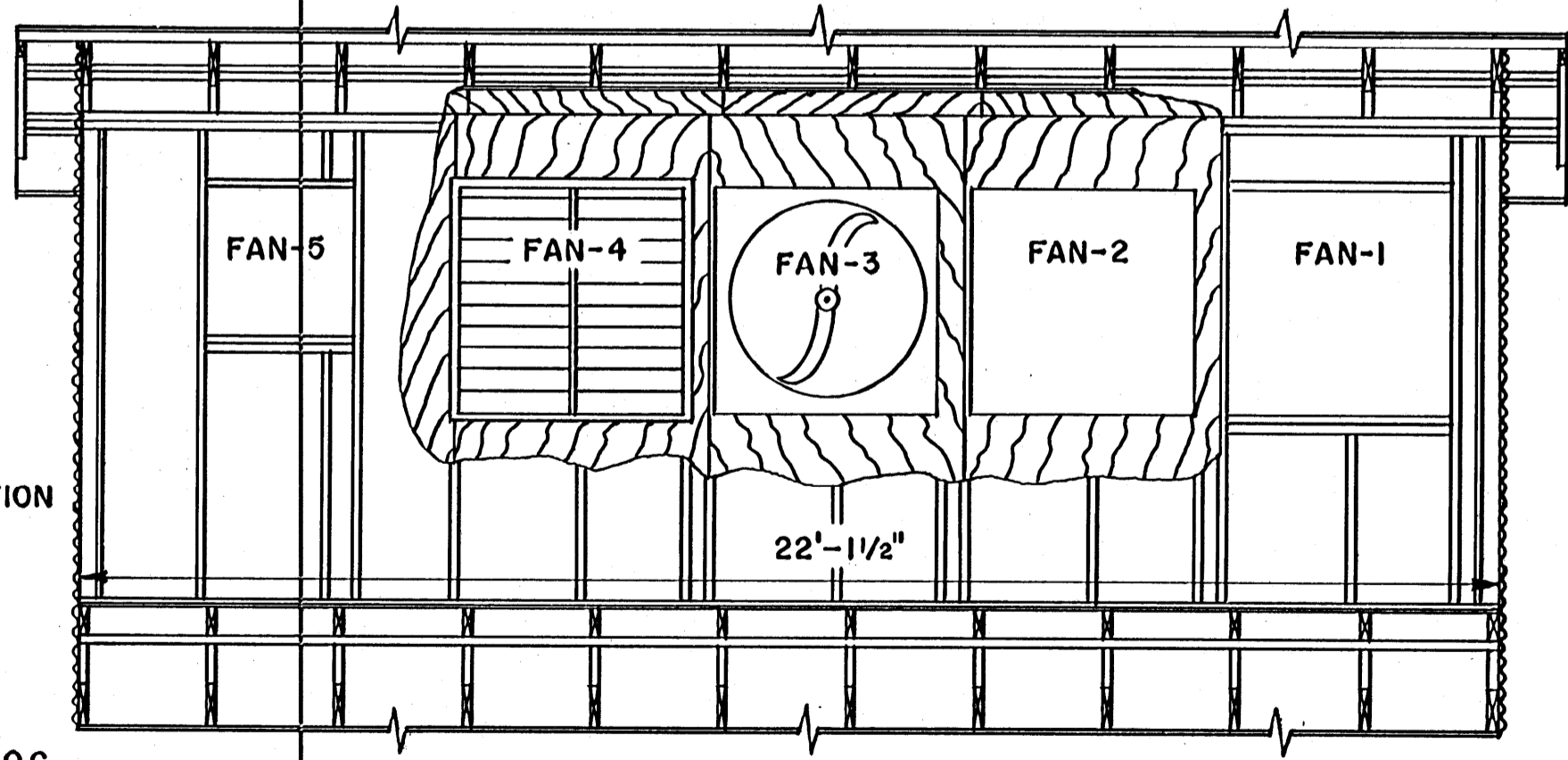
SECTION E-E PIT DOOR
SCALE: 3/4"=1'-0"



TYPICAL END WALL SECTION
SCALE: 3/4"=1'-0"



FAN HOUSE SECTION
SCALE: 3/8"=1'-0"

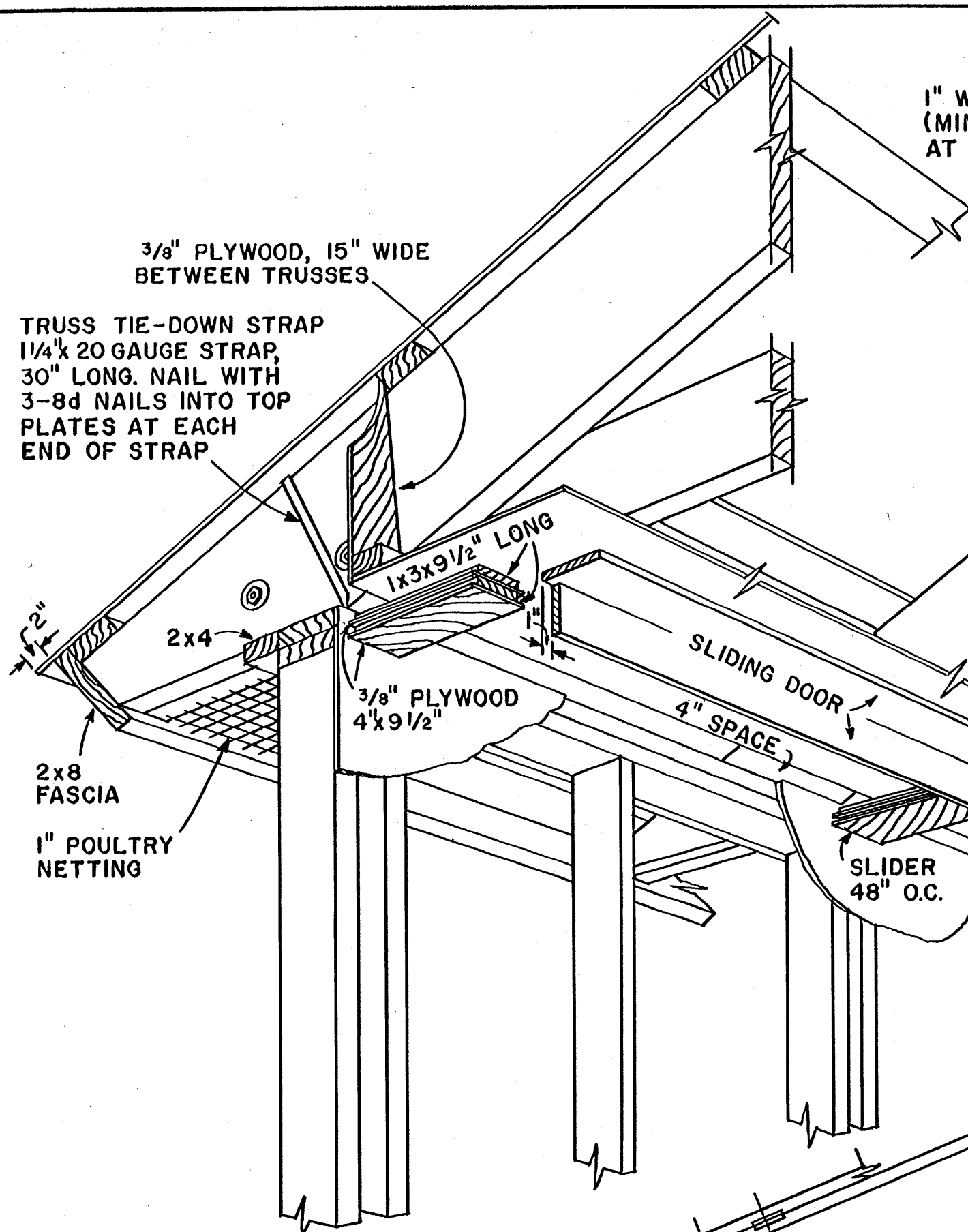


SECTION F-F
SCALE: 3/8"=1'-0"

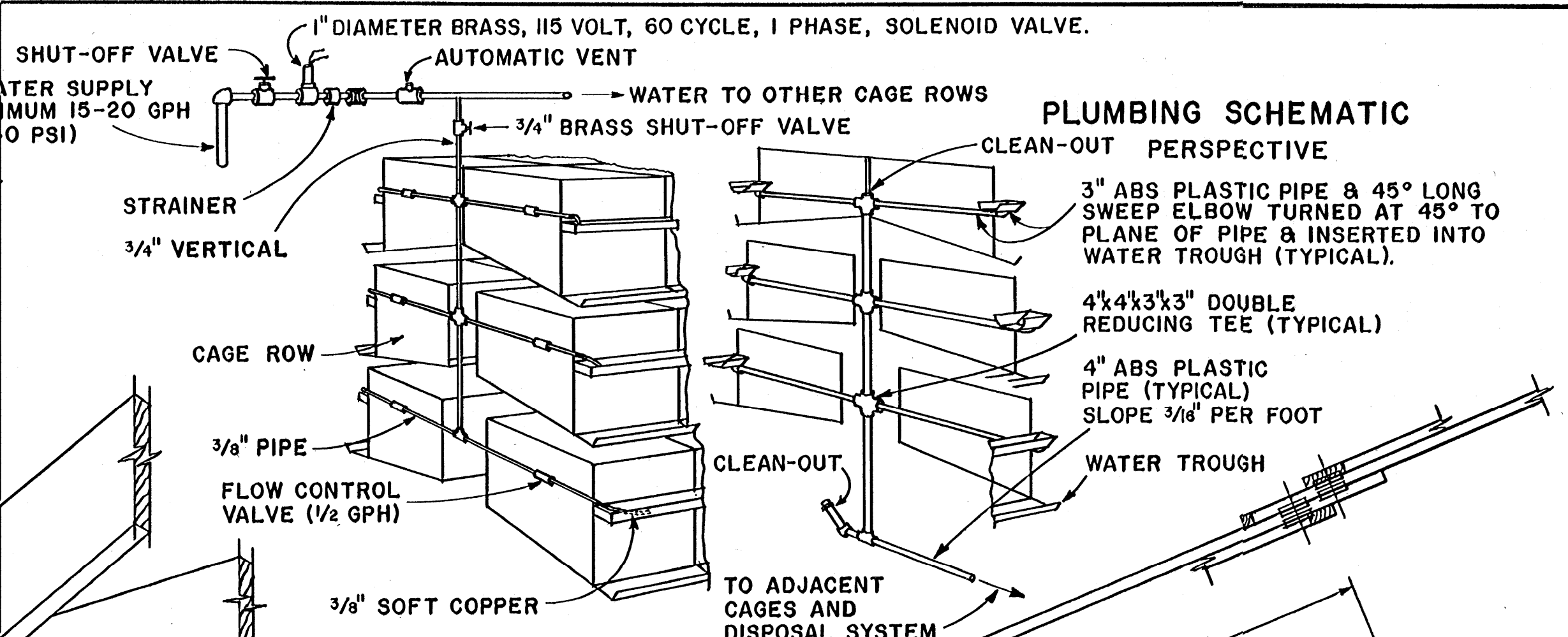
- NOTES:
1. FAN OPENING DIMENSIONS AS REQUIRED BY MANUFACTURER.
 2. FANS 1, 2, 3 & 4 RATED FOR 10,000 CFM AT 1/8" STATIC PRESSURE WITHOUT SHUTTERS AND HOODS, OR AT 0.05" STATIC PRESSURE WITH ALL ACCESSORIES IN PLACE.
 3. FAN 5 MAY BE VARIABLE OR TWO SPEED RATED FOR 2,500 CFM MINIMUM TO 5,000 CFM MAXIMUM CFM RATED AS FOR OTHER FANS.

COOPERATIVE EXTENSION WORK IN
AGRICULTURE AND HOME ECONOMICS
STATE OF MISSISSIPPI
MISSISSIPPI STATE UNIVERSITY
AND
UNITED STATES DEPARTMENT OF AGRICULTURE COOPERATING

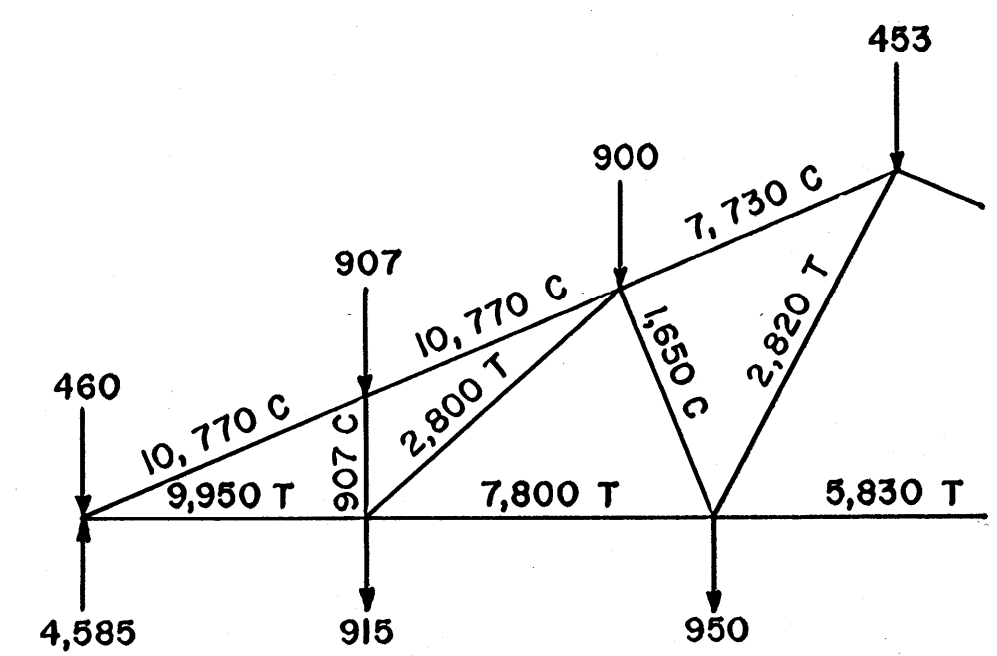
CAGE LAYING HOUSE FOR POULTRY		
ME.	'73	6166
		SHEET 4 OF 6



**OVERHANG AND
SLOT DETAIL
PERSPECTIVE**

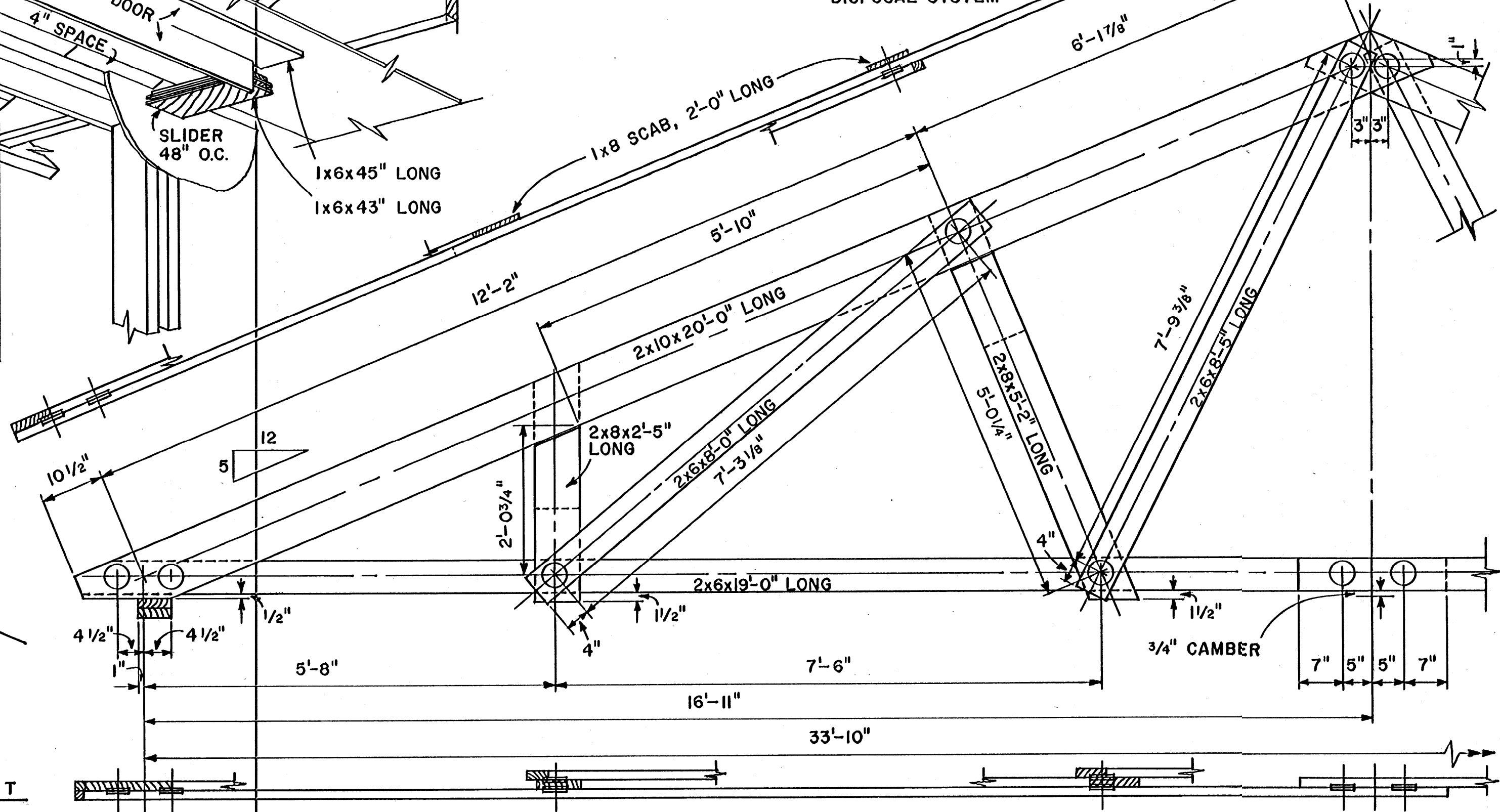


PLUMBING SCHEMATIC



**LOAD
DIAGRAM**

- NOTES:**
1. SPACE TRUSSES 4'-0" O.C.
 2. DIMENSIONS SHOWN WILL PRODUCE 3/4" CAMBER IN LOWER CHORD.
 3. CONNECTIONS:
-USE 4" DIAMETER SPLIT RINGS
-3/4" MACHINE BOLTS AND WASHERS
 4. HANG CAGES AT PANEL POINTS ONLY



**TRUSS
SCALE: 3/4" = 1'-0"**

- SPECIFICATIONS:**
1. LOADS:
-LIVE, 35 POUNDS PER SQUARE FOOT
-DEAD, 5 POUNDS PER SQUARE FOOT
-CEILING, 10 POUNDS PER SQUARE FOOT
-WIND, 25 POUNDS PER SQUARE FOOT VERTICAL PROJECTION
-CAGES, 650 POUNDS AT LOWER CHORD PANEL POINTS
 2. LUMBER
-NUMBER 1 EASTERN SPRUCE OR EASTERN HEMLOCK

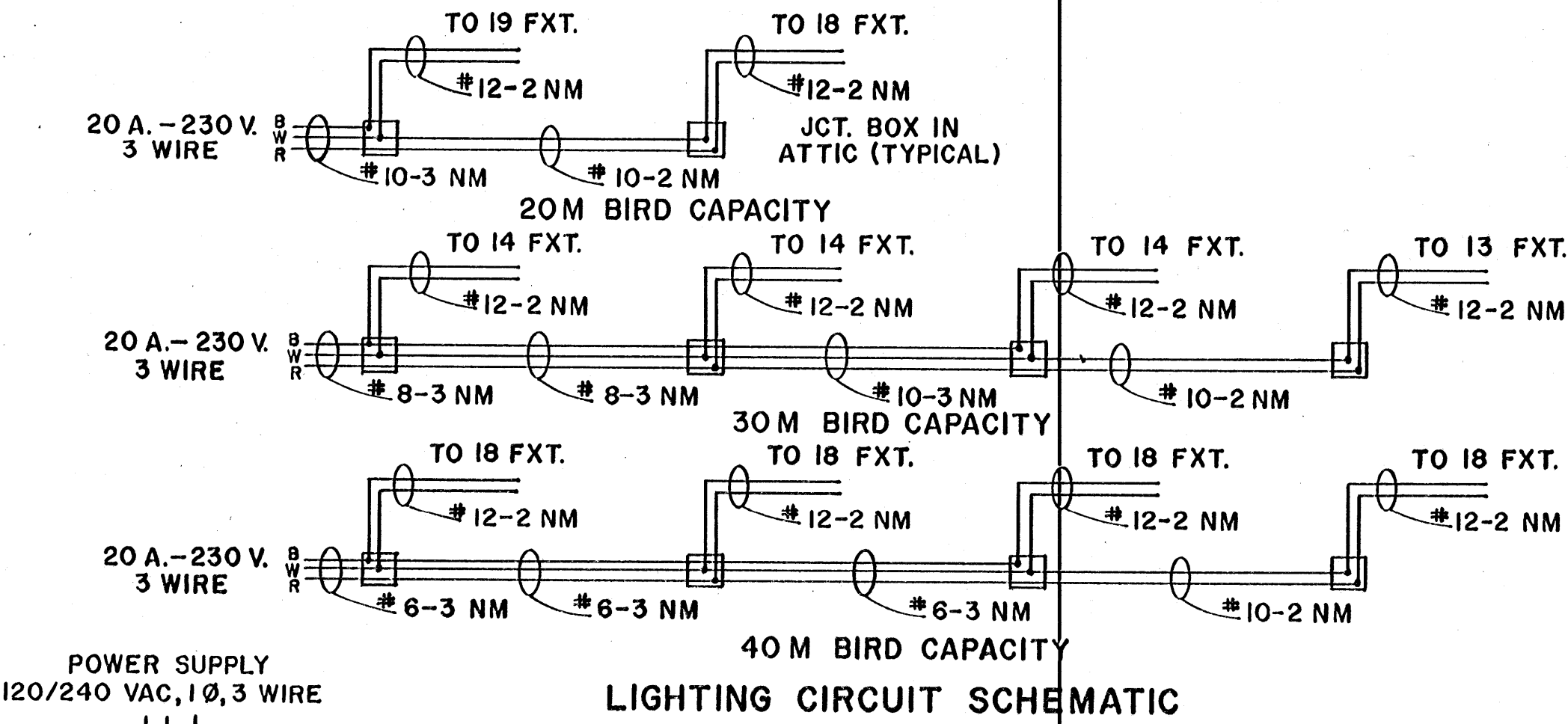
COOPERATIVE EXTENSION WORK IN
AGRICULTURE AND HOME ECONOMICS
STATE OF MISSISSIPPI
MISSISSIPPI STATE UNIVERSITY
AND
UNITED STATES DEPARTMENT OF AGRICULTURE COOPERATING

**CAGE LAYING HOUSE
FOR POULTRY**

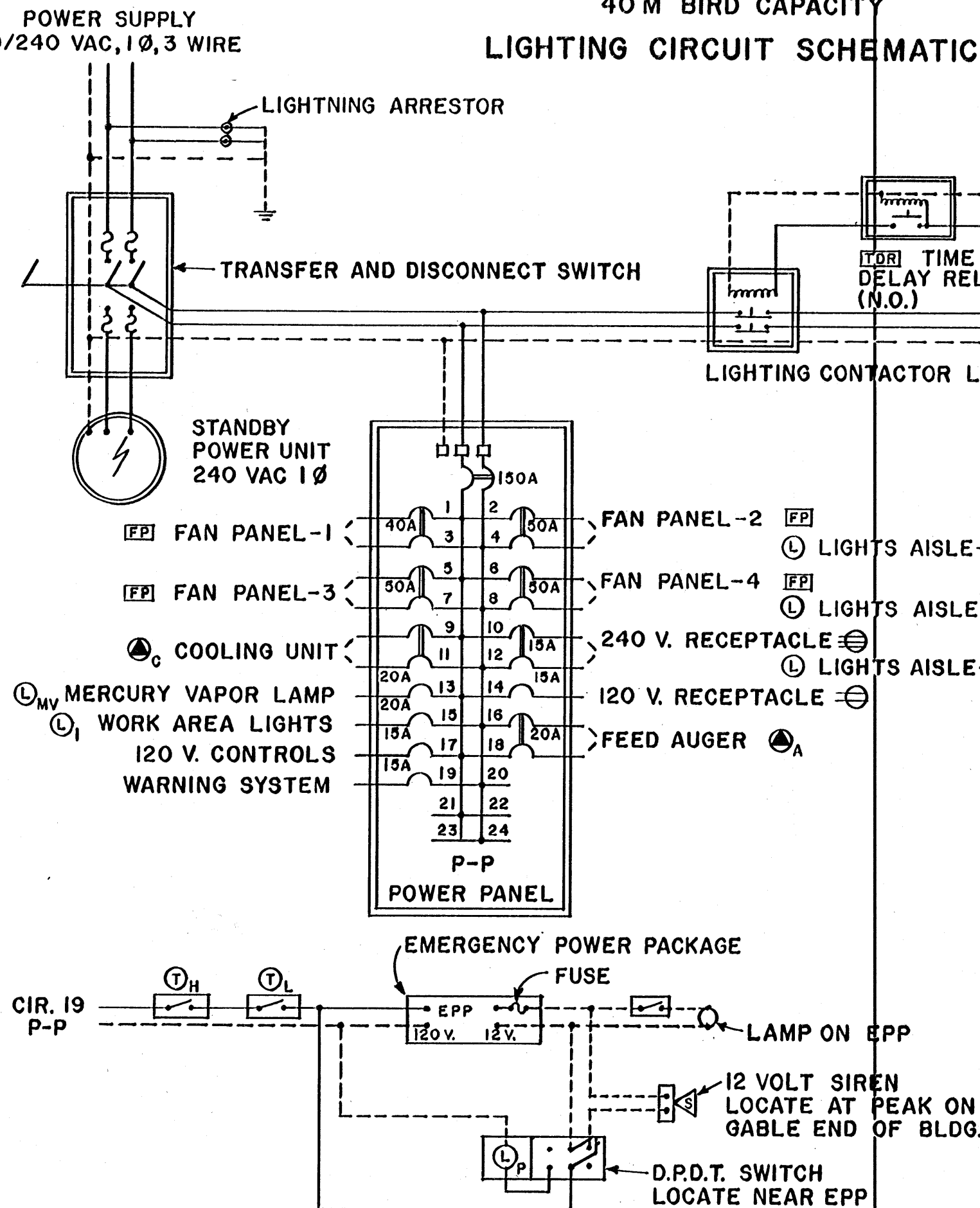
ME.	'73	6166	SHEET 5 OF 6
-----	-----	------	--------------

LEGEND

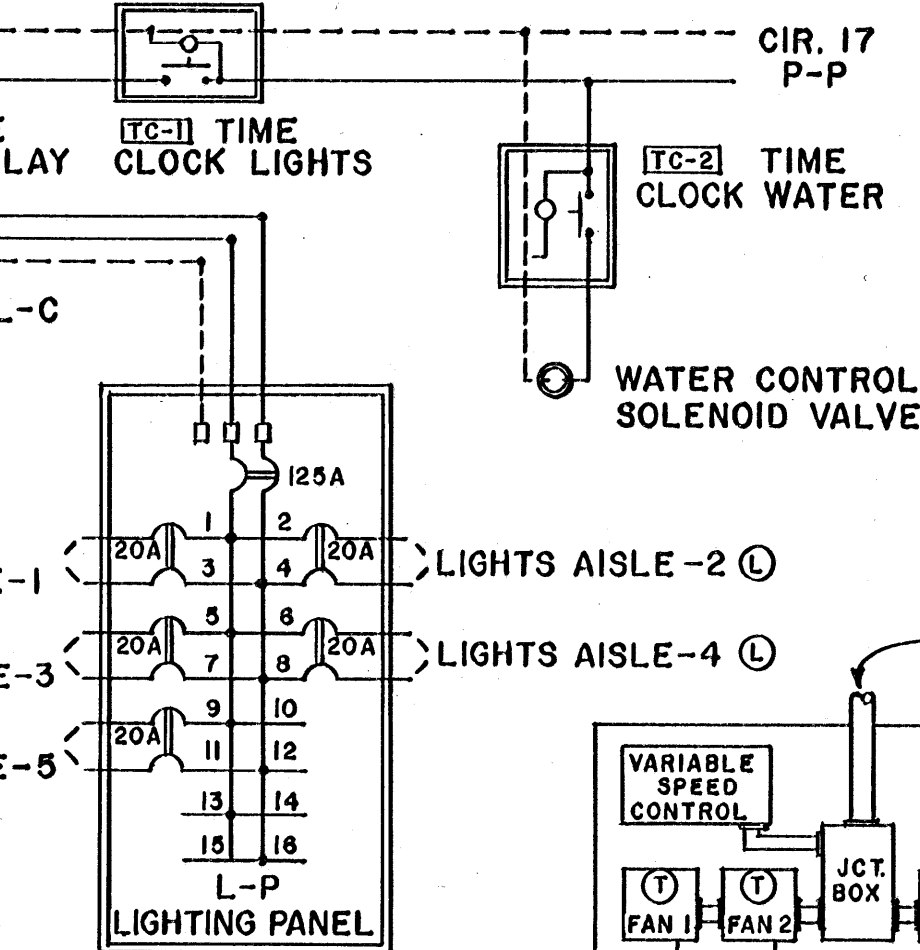
- Ⓛ PORCELAIN LAMPHOLDER, KEYLESS, 1 PIECE, 660 W, 250 V, 40 W, 125 V, BULB.
- Ⓛ₁ PORCELAIN LAMPHOLDER, KEYLESS, 1 PIECE, 660 W, 250 V, 100 W, 125 V, BULB.
- Ⓛ_{MV} 175 W MERCURY VAPOR LAMP WITH PHOTO CELL.
- Ⓛ₁₅ DUPLEX RECEPTACLE 15 AMP, 125 V.
- Ⓛ₂₅₀ DUPLEX RECEPTACLE 15 AMP, 250 V.
- Ⓛ_{WP} DUPLEX WEATHERPROOF RECEPTACLE. 15 AMP. 125 V, RECEPTACLE AS ABOVE, WITH SPRING LOADED LIFT COVER PLATE.
- Ⓛ_F VENTILATING FAN CONNECTIONS (5 EACH FAN BANK).
- Ⓛ_C COOLING UNIT CONNECTION, 230 V., 1 ∅, FUSED SAFETY SWITCH TIME DELAY CARTRIDGE FUSES, CHECK CURRENT RATING OF COOLING UNIT.
- Ⓛ_A CONNECTION TO FEED AUGER MOTOR, TOGGLE OPERATED, 2 POLE, 1 H.P. MANUAL MOTOR STARTING SWITCH WITH OVERLOAD PROTECTION.
- S 15 A., 120 V. TOGGLE TYPE SWITCH.
- S₃ 15 A., 120 V. 3-WAY TOGGLE TYPE SWITCH.
- FP FAN PANEL, 1 ∅, 3 WIRE, 120/240 VOLT A.C., 125 A. MAIN LUGS ONLY, 12-1" SPACES.
- FCP FAN CONTROL PANEL, SEE DETAIL.
- LP LIGHTING PANEL, 1 ∅, 3 WIRE, 120/240 VOLT A.C., 125 A. MAIN BREAKER, 16-1" SPACES.
- PP POWER PANEL, 1 ∅, 3 WIRE, 120/240 VOLT A.C., 150 A. MAIN BREAKER, 24-1" SPACES.
- AP AUXILIARY PANEL, (OPTIONAL)
- TC₁ TIME CLOCK-LIGHTS
- TC₂ TIME CLOCK-WATER
- Ⓛ₁ LINE VOLTAGE S.P.S.T. THERMOSTAT SET TO MAKE CONTACT ON TEMPERATURE RISE, ADJUSTABLE RANGE 45 TO 85° F. MIN.
- Ⓛ_H LINE VOLTAGE S.P.S.T. THERMOSTAT SET TO BREAK CONTACT AT 100° F ON TEMPERATURE RISE. RANGE 50 TO 150° F (APPROX.)
- Ⓛ_L LINE VOLTAGE S.P.S.T. THERMOSTAT SET TO BREAK CONTACT AT 40° F ON TEMPERATURE FALL. RANGE 0 TO 100° F (APPROX.)
- Ⓛ_P RED PILOT LIGHT, 120 V., 6 WATTS.
- Ⓛ_S 12 VOLT SIREN.



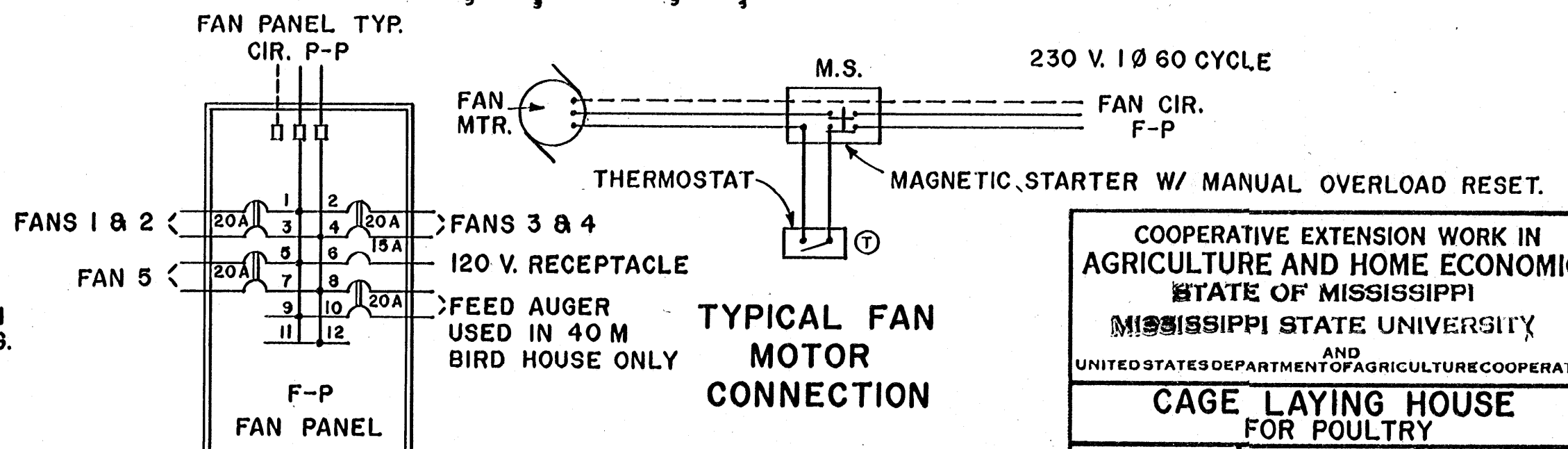
LIGHTING CIRCUIT SCHEMATIC



WARNING SYSTEM SCHEMATIC



FAN CONTROL PANEL
MOUNT ABOVE CAGES AT AISLE-3



TYPICAL FAN MOTOR CONNECTION

COOPERATIVE EXTENSION WORK IN
AGRICULTURE AND HOME ECONOMICS
STATE OF MISSISSIPPI
MISSISSIPPI STATE UNIVERSITY
AND
UNITED STATES DEPARTMENT OF AGRICULTURE & COOPERATING

**CAGE LAYING HOUSE
FOR POULTRY**

ME. '73 6166 SHEET 6 OF 6