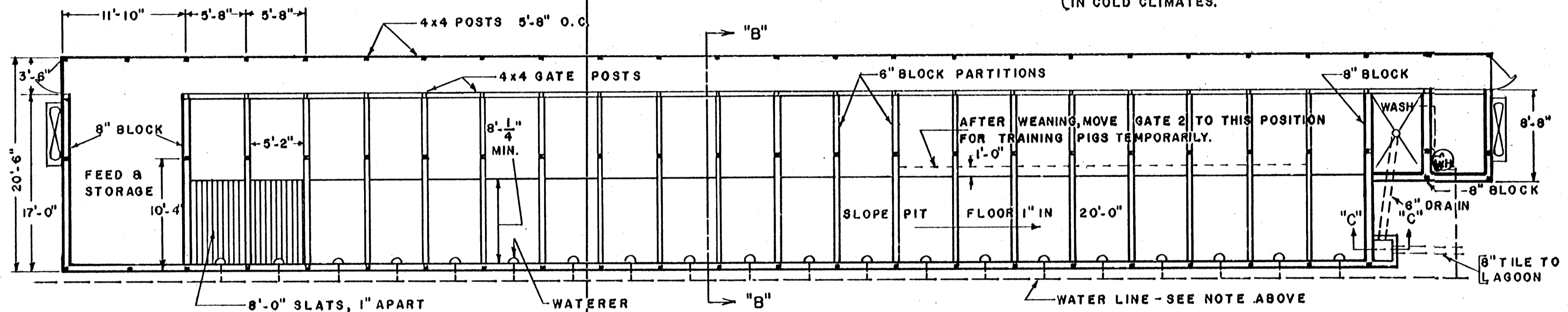


FLOOR PLAN - FOR FARROWING OR FEEDER PIG PRODUCTION ONLY

SCALE: $\frac{1}{8}'' = 1'-0''$

BURY WATER LINE AT LEAST 12".
SLOPE TO DRAIN & PROVIDE CUT-OFF
& DRAIN VALVE AT LOWER END. PROVIDE
HOSE CONNECTIONS 50 FT. APART.
BURY BELOW FROST LINE AND PROVIDE INSULATION
IN COLD CLIMATES.

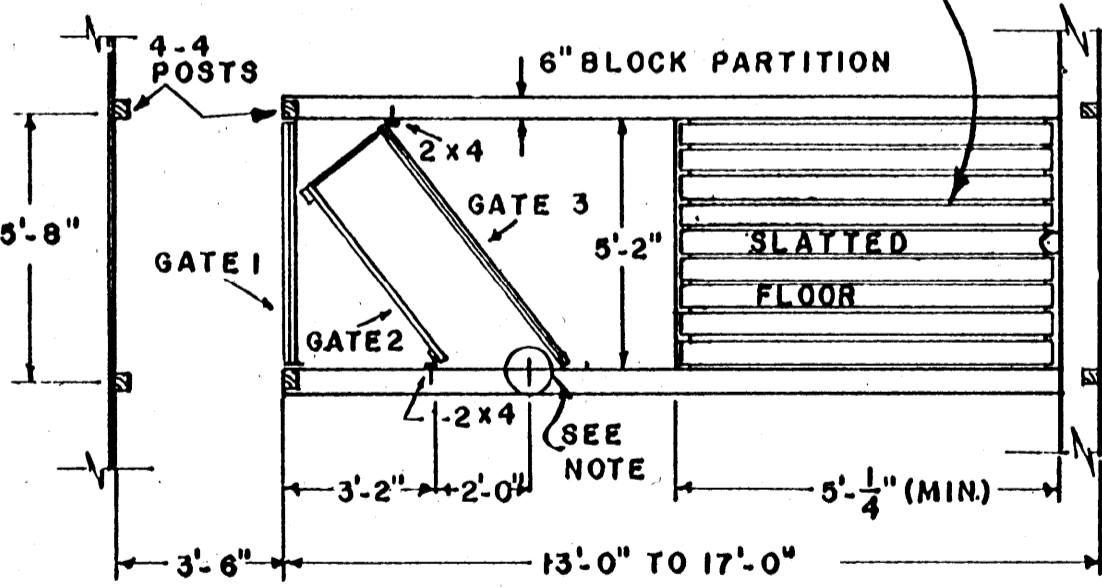


FLOOR PLAN - FOR FARROW TO FINISH

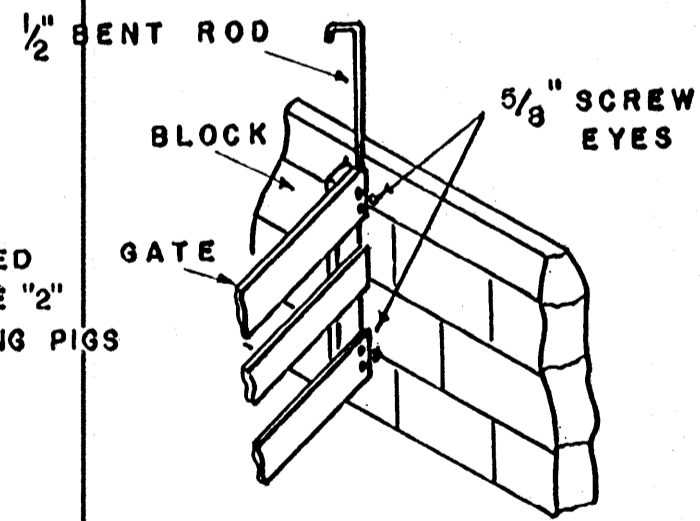
SCALE: $\frac{1}{8}'' = 1'-0''$

FLOOR PLAN - TYPICAL PEN

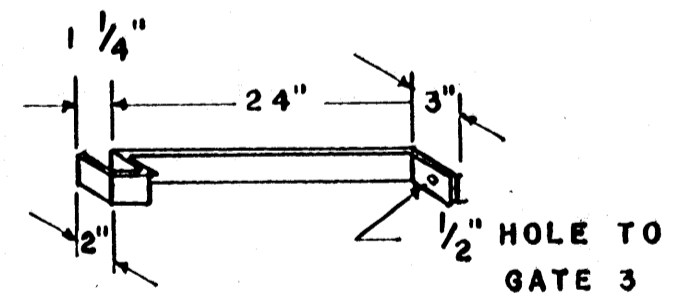
COVER SLATS OR PEN PIGS
AWAY FROM SLATS FOR APPROXIMATELY
ONE WEEK AFTER FARROWING



NOTE:
BOLTS USED
WITH GATE "2"
IN TRAINING PIGS

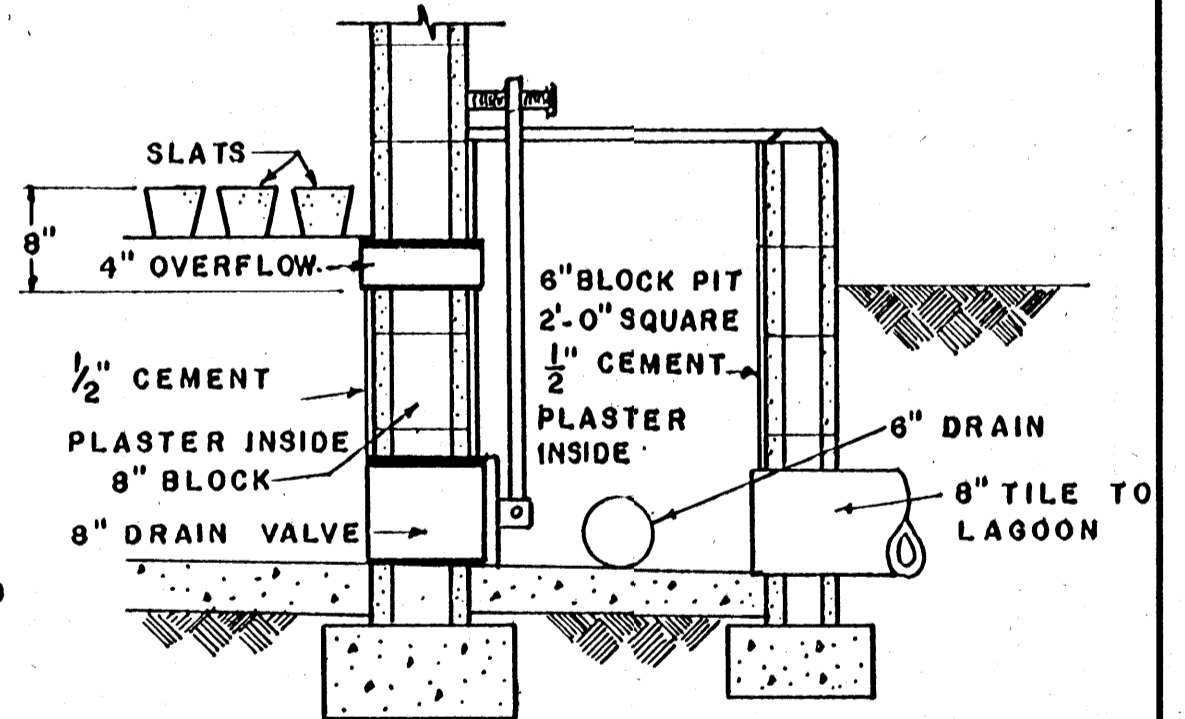


LATCH DETAIL



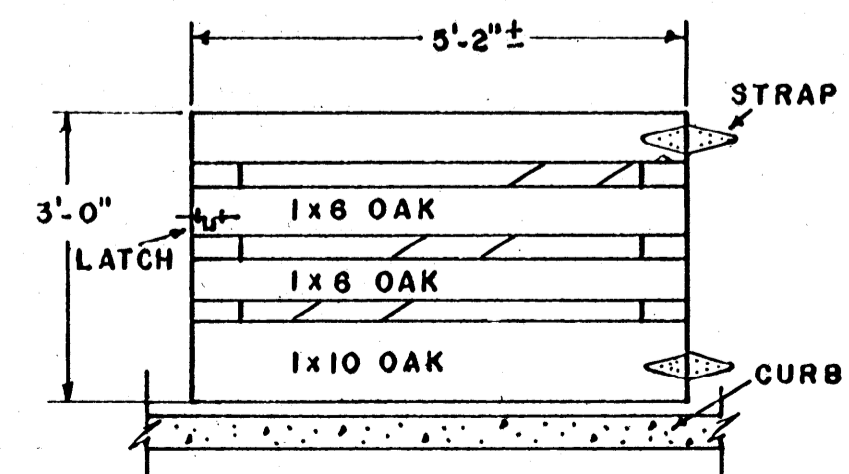
BACK-UP BAR

$\frac{1}{4}'' \times 2''$ STEEL

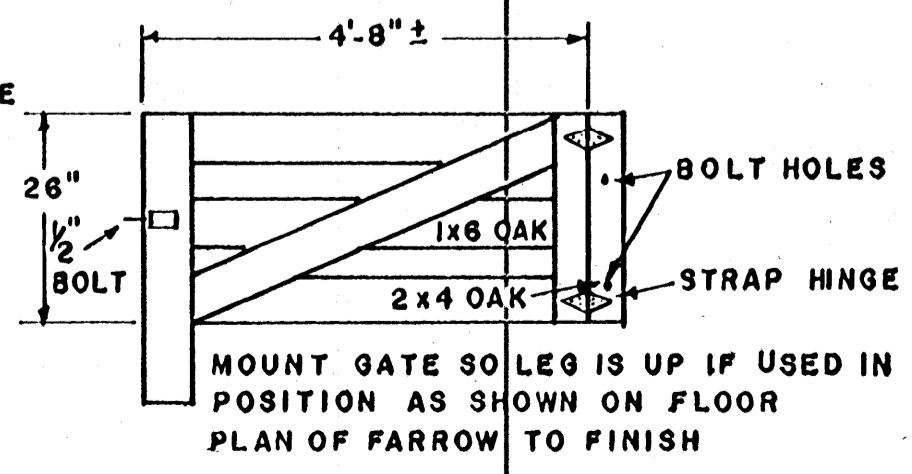


SECTION "C-C"

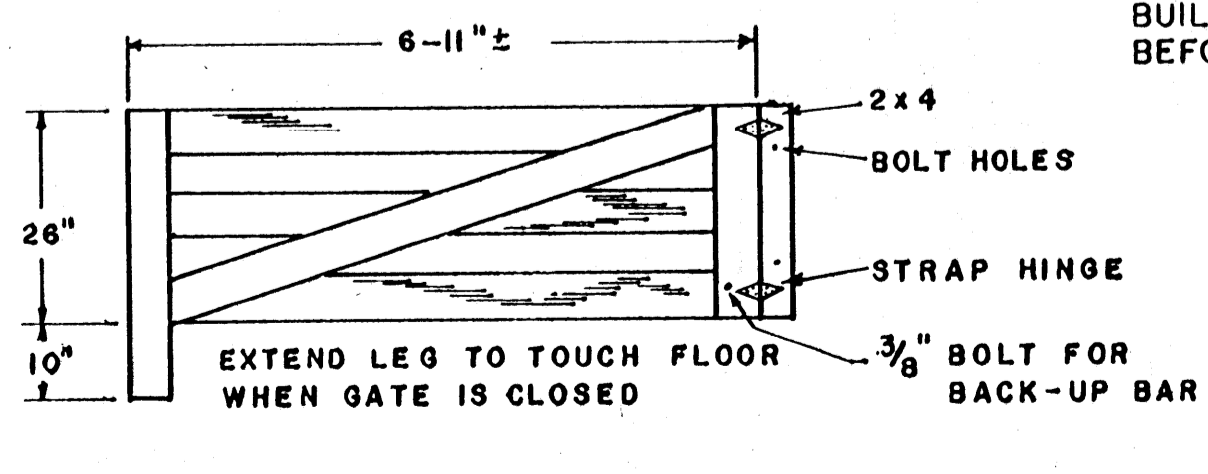
NOTE: SCALE: $\frac{3}{4}'' = 1'-0''$
CONSULT LOCAL HEALTH AND
BUILDING CODE AUTHORITIES
BEFORE STARTING CONSTRUCTION
BASED ON USDA PLAN NO. 6073



GATE 1



GATE 2

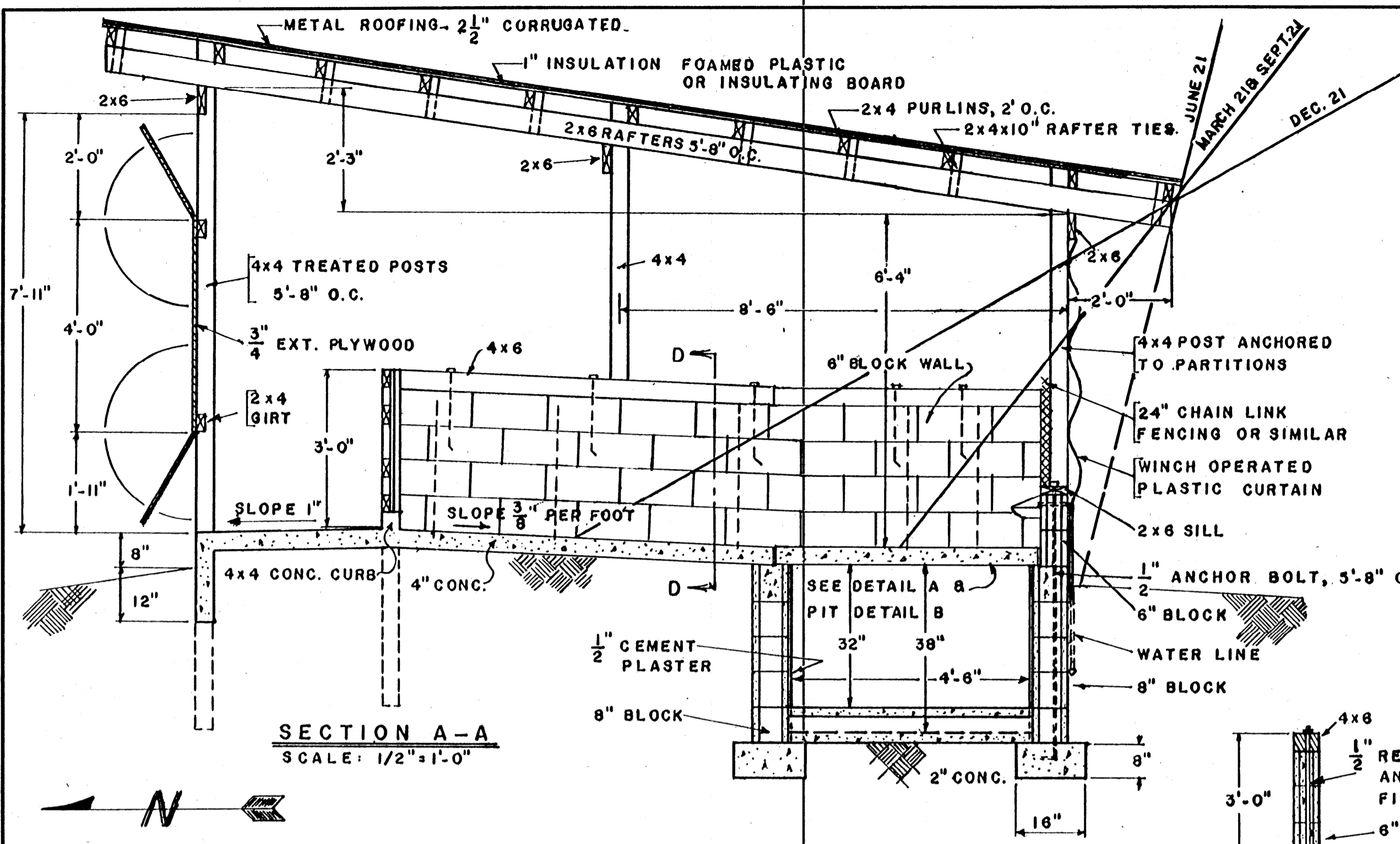


GATE 3

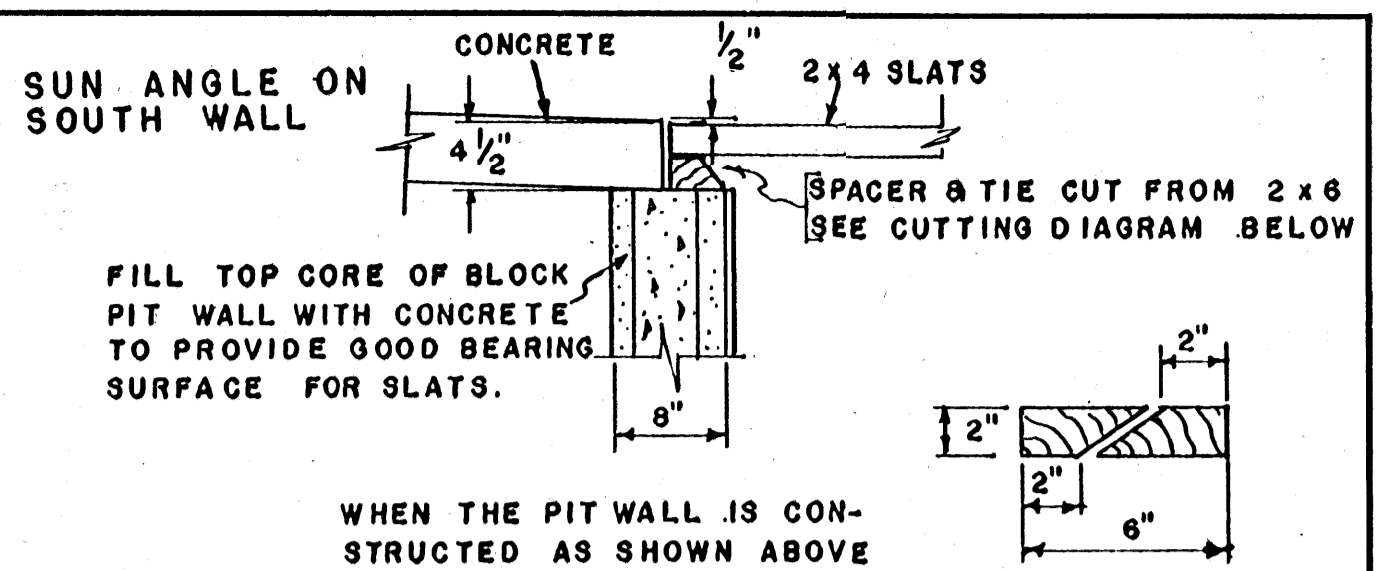
COOPERATIVE EXTENSION WORK IN
AGRICULTURE AND HOME ECONOMICS
STATE OF MISSISSIPPI
MISSISSIPPI STATE UNIVERSITY
AND
UNITED STATES DEPARTMENT OF AGRICULTURE COOPERATING

**HOG HOUSES-FARROWING
FARROW TO FINISH**

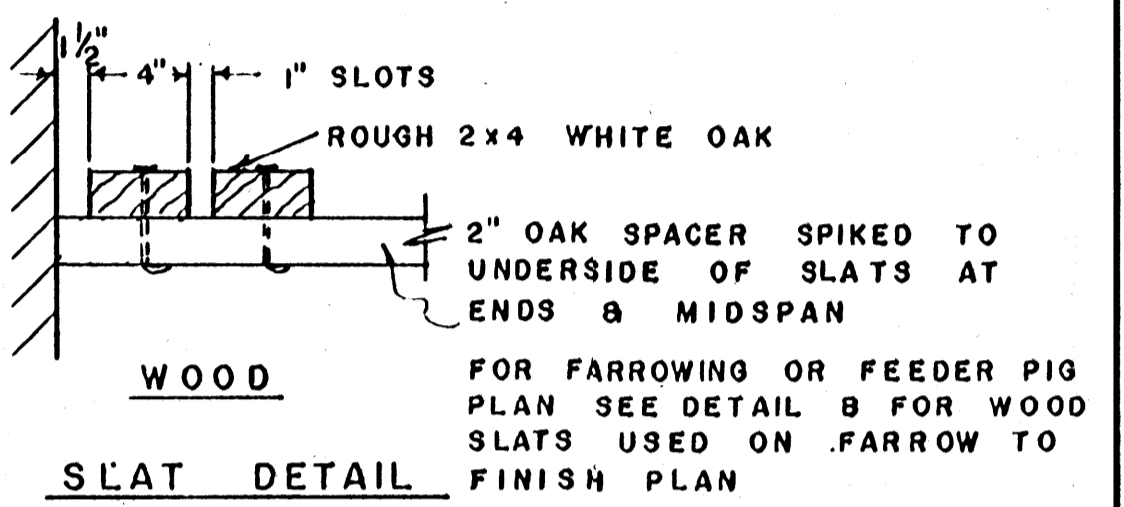
MISS. '73	6157	SHEET 1 OF 3
-----------	------	--------------



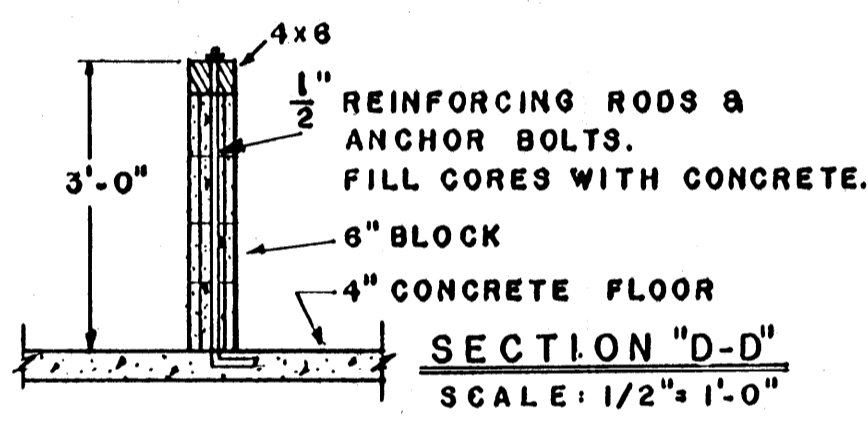
SECTION A-A
SCALE: 1/2" = 1'-0"



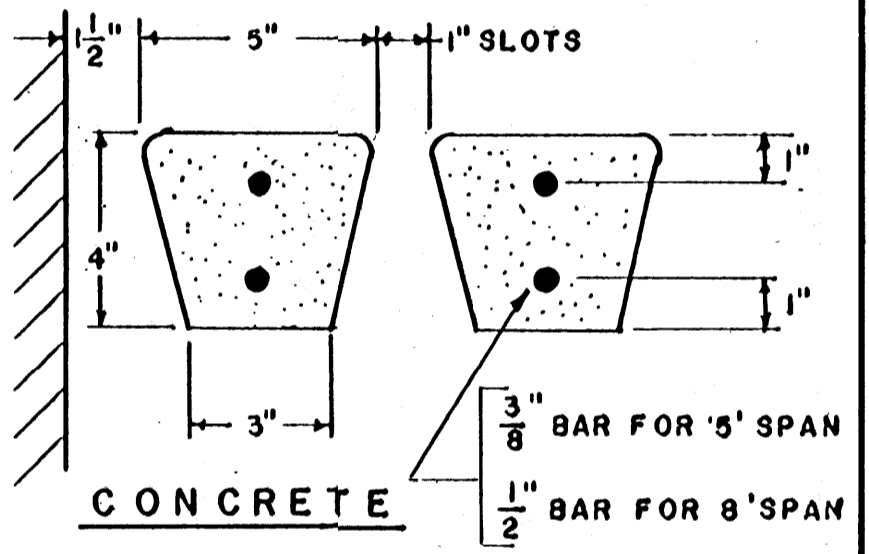
PIT CONSTRUCTION DETAIL
NOT TO SCALE



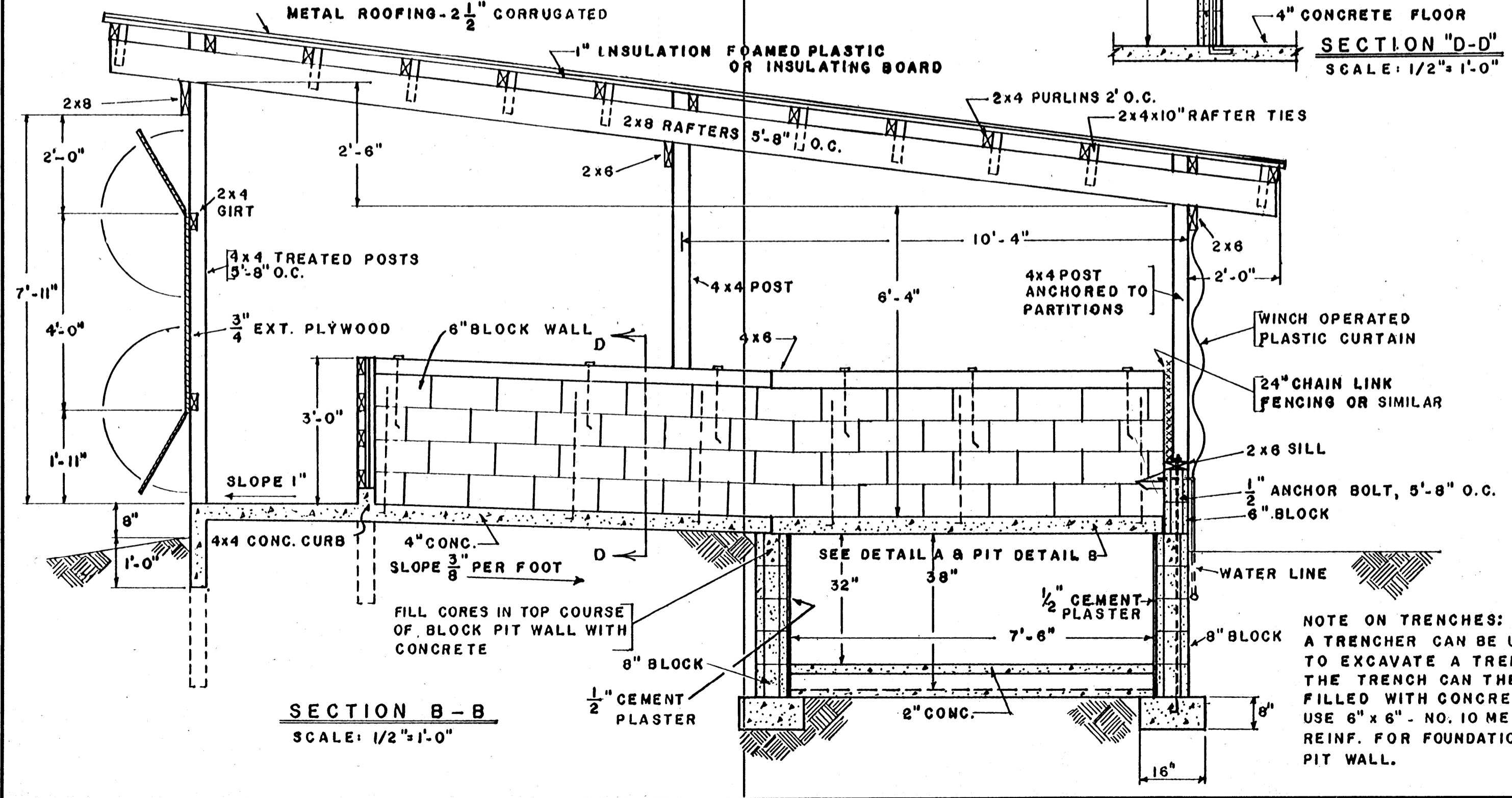
SLAT DETAIL



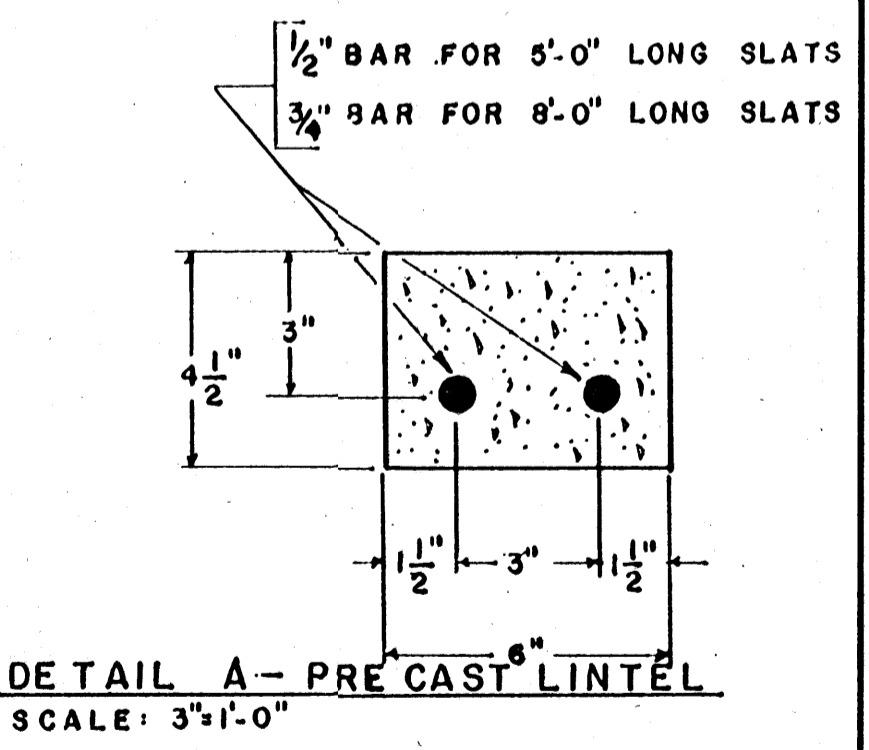
SECTION "D-D"
SCALE: 1/2" = 1'-0"



CONCRETE



SECTION B-B
SCALE: 1/2" = 1'-0"



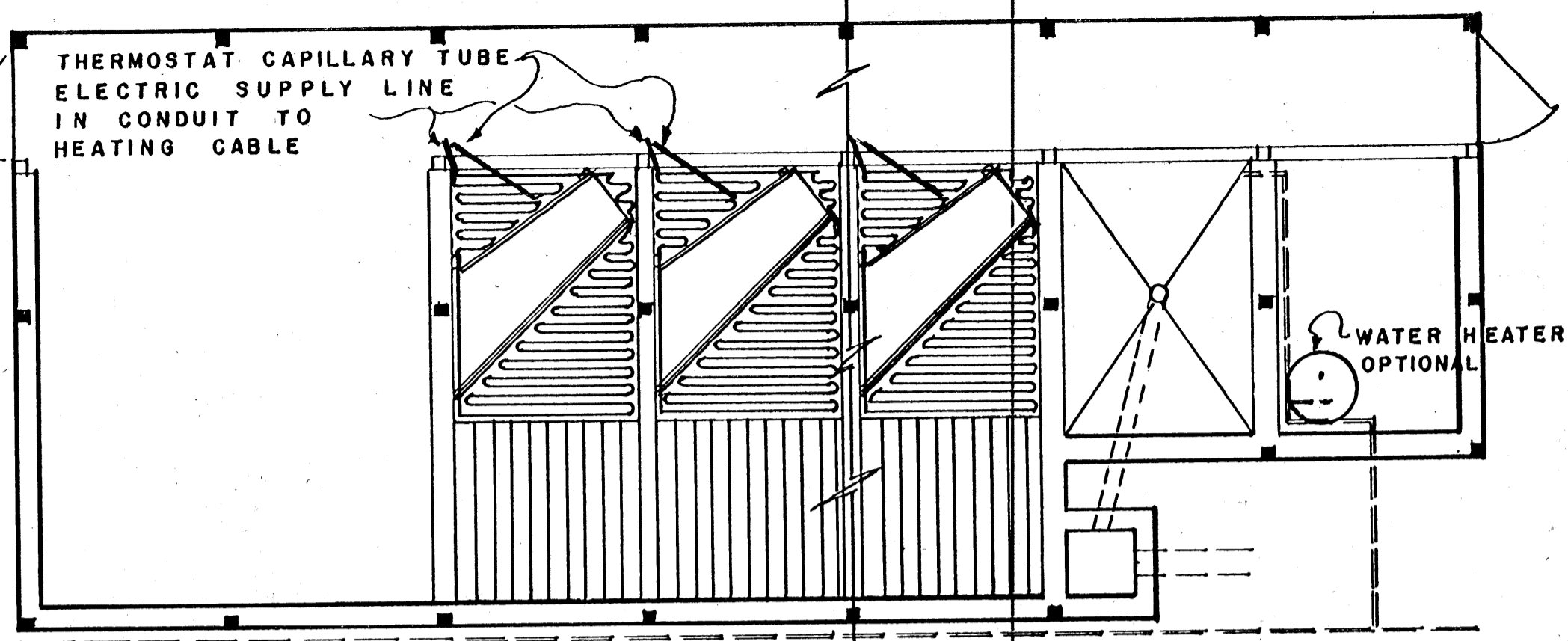
DETAIL A - PRE CAST LINTEL
SCALE: 3" = 1'-0"

NOTE ON TRENCHES:
A TRENCHER CAN BE USED TO EXCAVATE A TRENCH. THE TRENCH CAN THEN BE FILLED WITH CONCRETE. USE 6" x 6" - NO. 10 MESH REINF. FOR FOUNDATION PIT WALL.

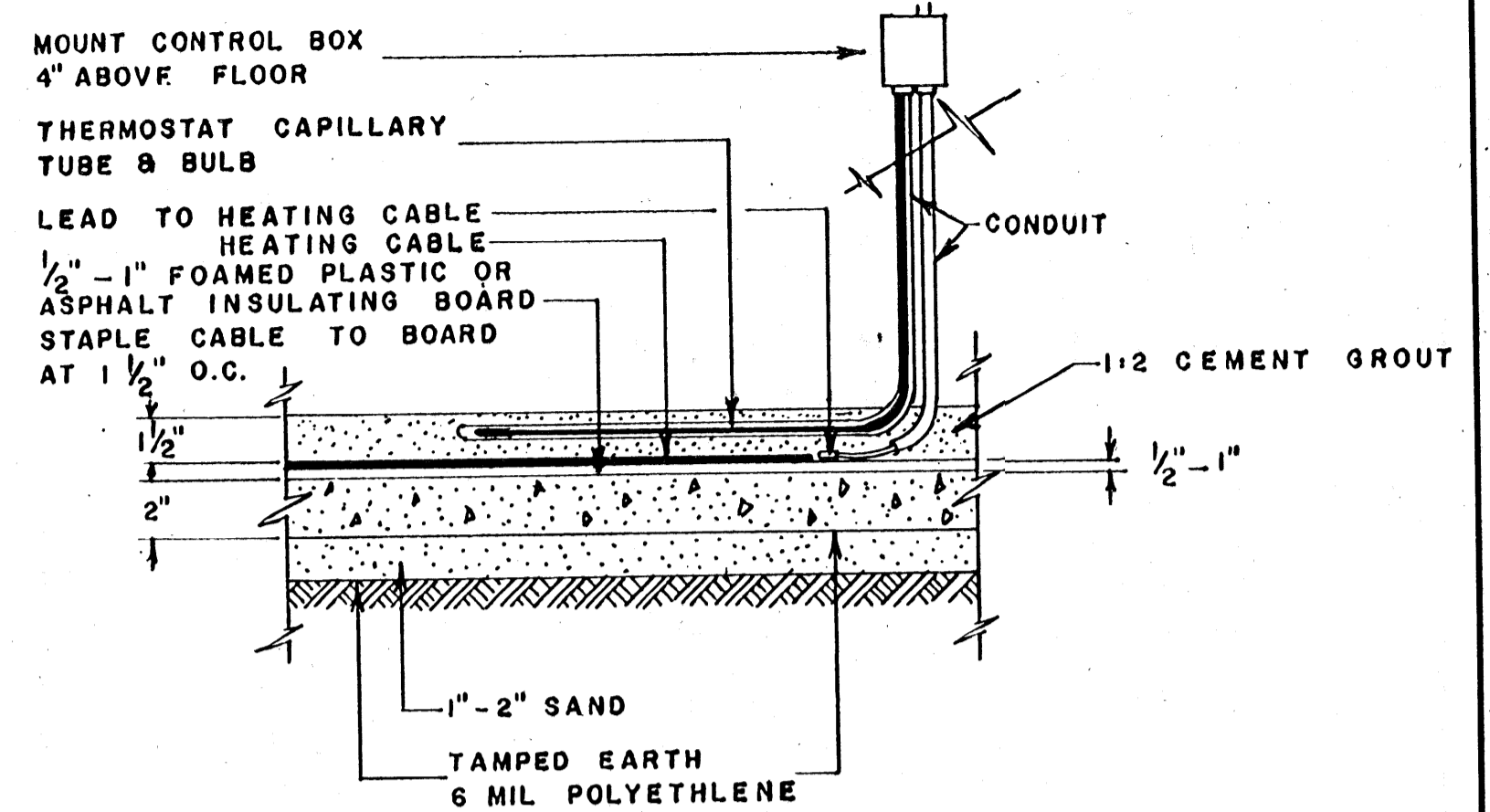
COOPERATIVE EXTENSION WORK IN
AGRICULTURE AND HOME ECONOMICS
STATE OF MISSISSIPPI
MISSISSIPPI STATE UNIVERSITY
AND
UNITED STATES DEPARTMENT OF AGRICULTURE COOPERATING

HOG HOUSES - FARROWING FARROW TO FINISH

MISS. '73	6157	SHEET 2 OF 3
-----------	------	--------------



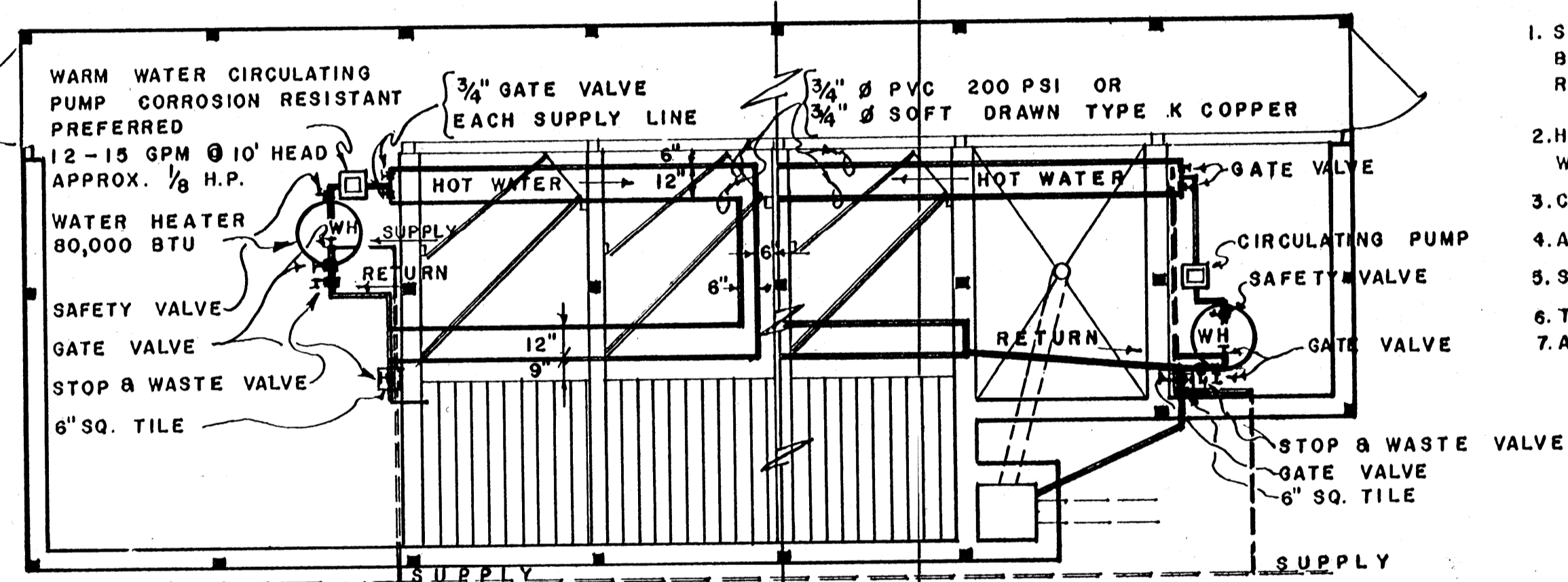
ELECTRIC HEATING CABLE SYSTEM
SCALE: $\frac{1}{4}'' = 1'-0''$



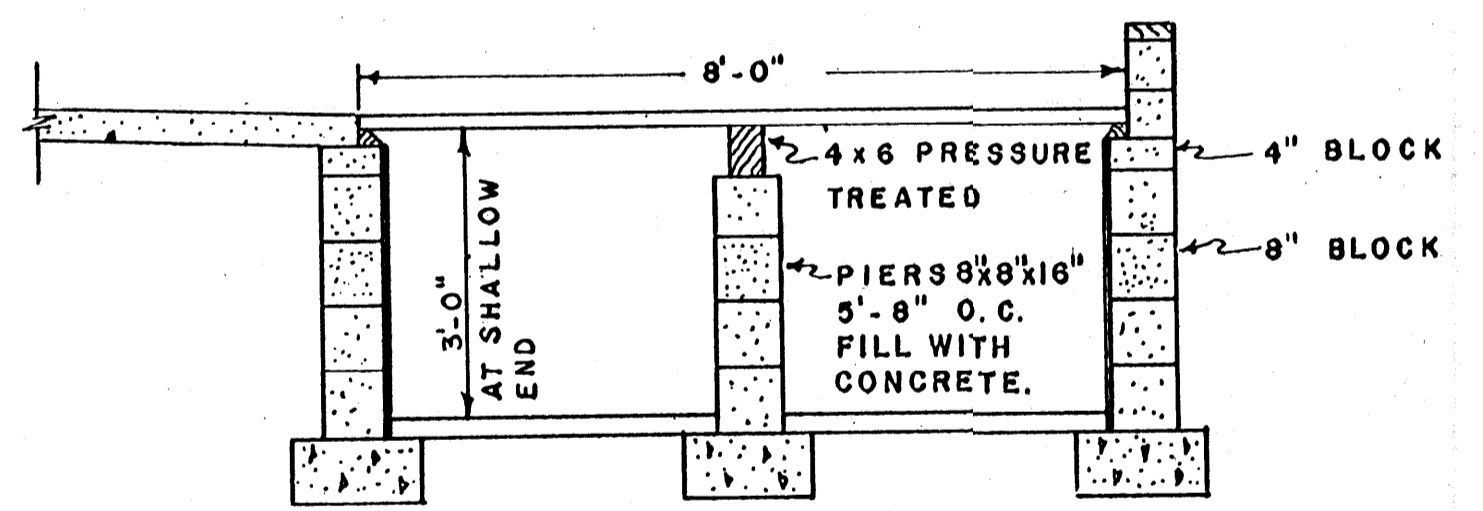
ELECTRIC HEATING CABLE SYSTEM *
NOT TO SCALE

- NOTES:
- SEVERAL CRATE UNITS CAN BE CONTROLLED BY THE SAME THERMOSTAT; NOT TO EXCEED THE RATED HEATING LOAD; SWITCH CONTROL EACH DEN
 - HEAT LAMPS WILL BE NEEDED IN EXTREME COLD WEATHER IN ADDITION TO THE HEATING CABLE
 - CHECK CONTINUITY OF CABLE BEFORE PLACING GROUT
 - AVOID STRIKING HEATING CABLE.
 - SET THERMOSTAT AT DESIRED TEMPERATURE
 - THIS SYSTEM CAN BE USED IN A FINISHING BLOC.
 - A CUT OFF SWITCH SHOULD BE LOCATED AT EACH PEN

* ADAPTED FROM TVA LEAFLET

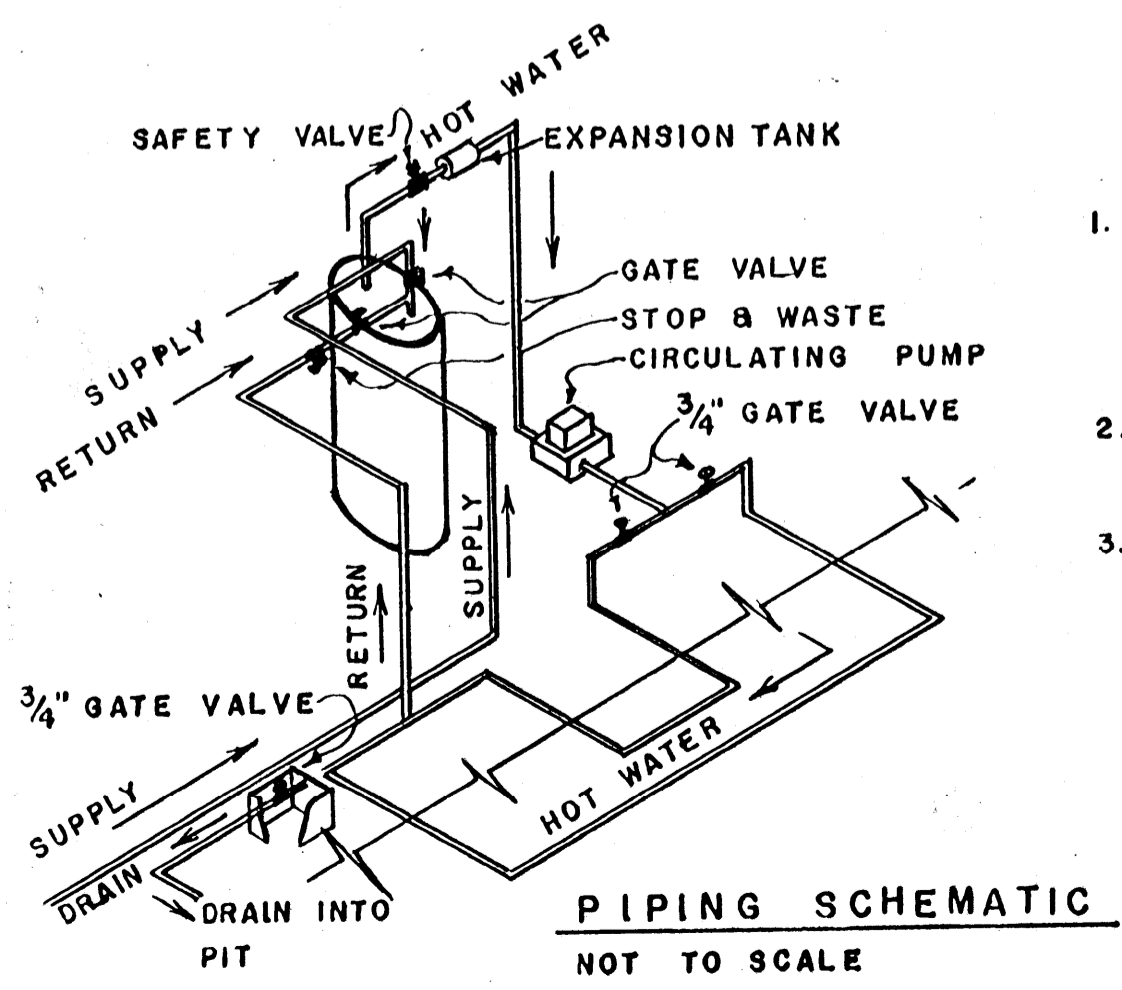


WARM WATER CIRCULATING SYSTEM
SCALE: $\frac{1}{4}'' = 1'-0''$



DETAIL B
SCALE: $\frac{1}{2}'' = 1'-0''$

PIT DETAIL USING WOOD SLATS



- NOTES
- OUTLETS FOR HEAT LAMPS SHOULD BE INSTALLED REGARDLESS IF THIS SYSTEM OR THE ELECTRIC HEATING CABLE SYSTEM IS USED.
 - CHECK SYSTEM WITH 150 P.S.I. AIR 24 HRS. BEFORE PLACING GROUT.
 - REGULATE TEMPERATURE WITH WATER HEATER THERMOSTAT.

- PIPING SYMBOLS
- SAFETY VALVE
 - GATE VALVE
 - STOP & WASTE VALVE
 - COLD WATER SUPPLY
 - HOT WATER
 - WARM WATER CIRCULATING PUMP

COOPERATIVE EXTENSION WORK IN
AGRICULTURE AND HOME ECONOMICS
STATE OF MISSISSIPPI
MISSISSIPPI STATE UNIVERSITY
AND
UNITED STATES DEPARTMENT OF AGRICULTURE COOPERATING

**HOG HOUSES—FARROWING
FARROW TO FINISH**

MISS. '73	6157	SHEET 3 OF 3
-----------	------	--------------