

FLOOR PLAN
SCALE: $\frac{3}{16} = 1'-0"$

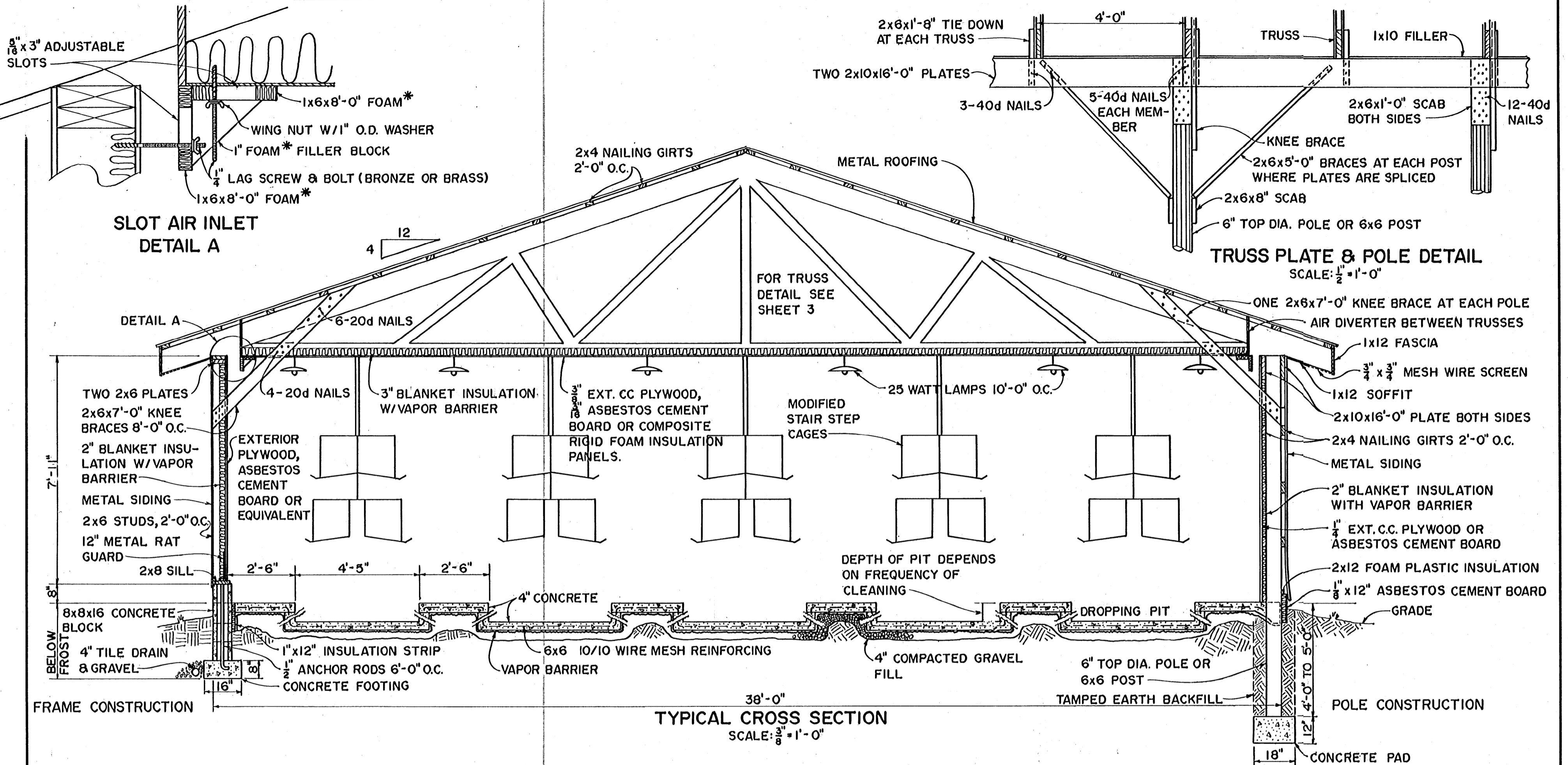
- ELECTRICAL**
- LIGHTING OUTLET
 - ⊖_{GR} DUPLEX CONVENIENCE OUTLET GROUNDED
 - ⊕ SPECIAL PURPOSE OUTLETS
 - EG - EGG GRADER
 - EW - EGG WASHER
 - ERC - EGG ROOM COOLER
 - FA - FEED BIN AUGER
 - VF - VENTILATION FAN
 - S SPST SWITCH
 - S_P SPST SWITCH W/PILOT LIGHT
 - S_T SPDT TIME SWITCH (230 VOLTS)
 - T₁ LOW VOLUME THERMOSTAT
 - T₂ MEDIUM VOLUME THERMOSTAT
 - T₃ HIGH VOLUME THERMOSTAT
 - DISTRIBUTION PANEL - (FUSE OR CIRCUIT BREAKER)
 - ▨ D.P.D.T. SERVICE ENTRANCE SWITCH FOR USE WITH STAND-BY GENERATOR

- NOTES:**
1. ALL PERMANENT WIRING SHOULD COMPLY WITH THE NATIONAL ELECTRIC CODE AND ANY OTHER LOCAL CODES IN AUTHORITY.
 2. NON-METALLIC WIRING, SWITCHES, LAMP HOLDERS AND RECEPTACLES ARE RECOMMENDED. (SEE NEC ART. 336-3)
 3. $\frac{1}{2}$ HP OR LARGER MOTORS SHOULD BE CONNECTED TO 230 VOLTS.
 4. LIGHTING CIRCUITS SHOULD BE EQUALLY DIVIDED ON 115 VOLT SIDES OF THE SERVICE TO BALANCE LOAD ON SYSTEM. AMPERE LOAD ON ANY CIRCUIT SHOULD NOT EXCEED 80% OF RATING.
 5. INCANDESCENT LAMPS, RATED AT 110 TO 120 VOLTS AND 25 WATTS ON 10'-0" CENTERS, ARE RECOMMENDED FOR USE WITH LIGHT COLOR-CEILINGS OR WITH SHALLOW DOM REFLECTORS. LAMPS SHOULD NOT BE MORE THAN 6'-0" ABOVE THE LOWEST FEEDER OR PROVIDE AT LEAST ONE FOOT CANDLE MINIMUM INTENSITY FOR BIRDS IN LOW-EST CAGES.
 6. CONSULT WITH EQUIPMENT MANUFACTURER FOR DETAILS AND DIMENSIONS OF CAGES AND OTHER EQUIPMENT.

- SPECIFICATIONS:**
1. THE DESIGN IS EXPANDABLE IN 8'-0" SECTIONS OF LENGTH AND IS 38'-0" WIDE.
 2. THE WINDOWLESS, CLEAR SPAN BUILDING USES TRUSSES 4'-0" O.C. WITH CAGES HANGING FROM BOTTOM CHORD OF TRUSSES.
 3. THREE INCHES OF INSULATION IS USED IN THE CEILING AND TWO INCHES IN WALLS.
 4. THE EGG COOLING ROOM USES TWO INCHES OF RIGID FOAM INSULATION.
 5. THE DESIGN IS FOR EITHER FRAME OR POST CONSTRUCTION, WITH METAL ROOF AND SIDING.
 6. THE VENTILATION SYSTEM USES EXHAUST FANS AND ADJUSTABLE SLOT INLETS.
 7. THE MANURE IS REMOVED FREQUENTLY BY SCRAPER AND DEPOSITED IN A LOADER OR STORAGE AREA.

BASED ON: W.VA. UNIV. PLAN PO-123

COOPERATIVE EXTENSION WORK IN AGRICULTURE AND HOME ECONOMICS STATE OF MISSISSIPPI MISSISSIPPI STATE UNIVERSITY AND UNITED STATES DEPARTMENT OF AGRICULTURE COOPERATING		
POULTRY HOUSE CAGED LAYERS		
W.VA. '71	6131	SHEET 1 OF 3

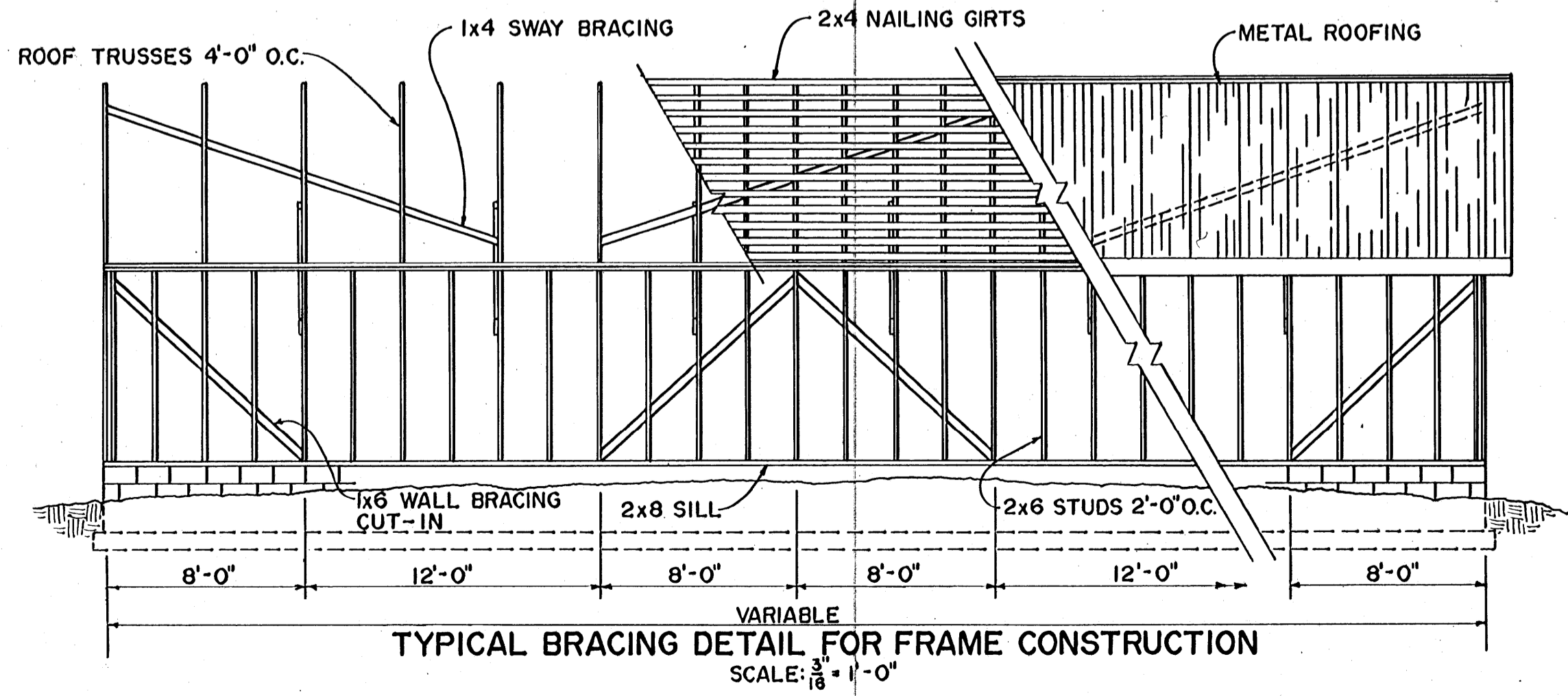


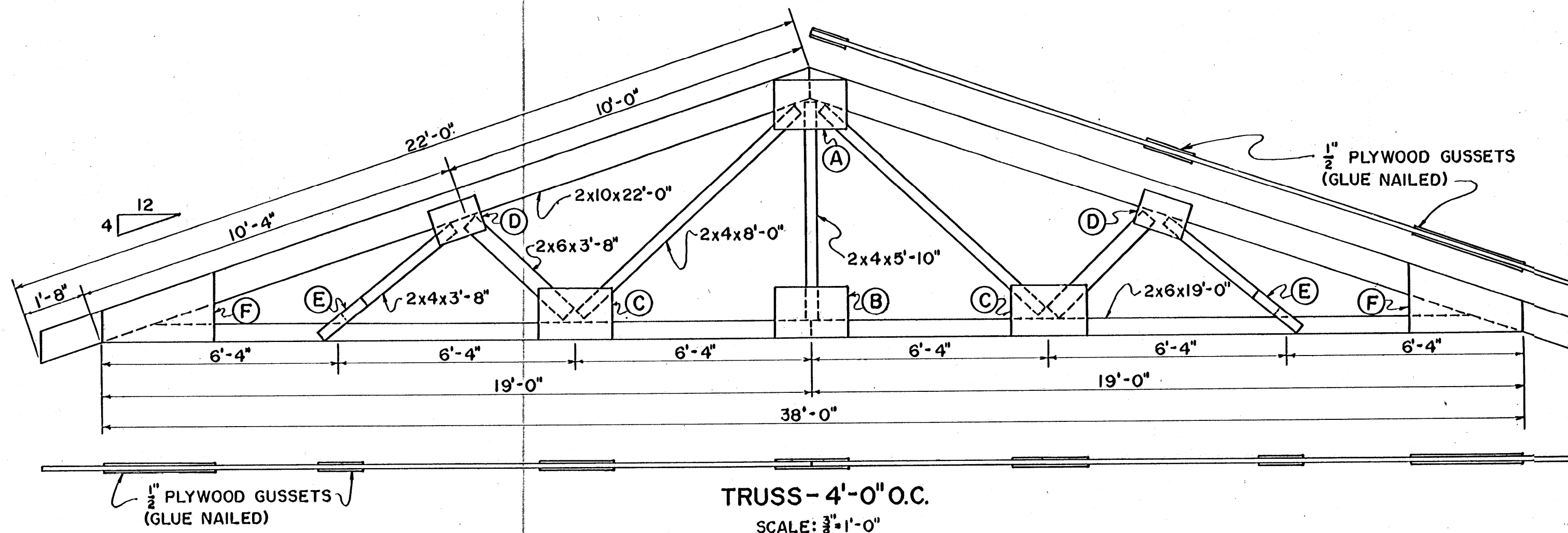
- NOTES:**
1. TWO TYPES OF WALL CONSTRUCTION ARE SHOWN—FRAME & POLE
 2. INSTALL LOUVERS IN BOTH ENDS OF GABLE FOR ATTIC VENTILATION
 3. VENTILATION RATE: LOW VOLUME 1/2 CFM PER BIRD.
HIGH VOLUME 4 CFM PER BIRD
 4. PLACE AIR INLET SLOT OPENINGS ON BOTH SIDES, NO CLOSER THAN 6'-0" TO FANS. THE SLOTS HAVE A 3" MAXIMUM ADJUSTMENT. SIDEWARD FOR AIR FLOW DOWN WALL OR DOWNWARD FOR AIR FLOW ACROSS CEILING OR BOTH.
 5. EGG ROOM SIZE VARIES WITH SIZE OF HOUSE.

* POLYSTYRENE CLOSED-CELL FOAM, BOND TO OTHER PIECE AND TO FILLER BLOCK. USE SETTING ADHESIVE SUCH AS EPOXY, PHENOLIC, RESORCINOL-PHENOLIC, OR RESORCINOL.

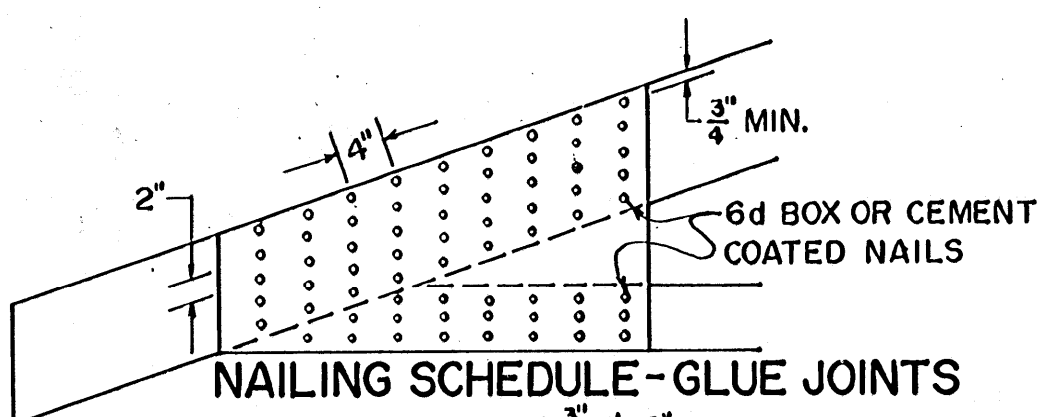
COOPERATIVE EXTENSION WORK IN AGRICULTURE AND HOME ECONOMICS
 STATE OF MISSISSIPPI
 MISSISSIPPI STATE UNIVERSITY
 UNITED STATES DEPARTMENT OF AGRICULTURE COOPERATING

POULTRY HOUSE
 CAGED LAYERS
 W. VA. '71 6131 SHEET 2 OF 3





TRUSS - 4'-0" O.C.
SCALE: 3/8" = 1'-0"



NAILING SCHEDULE - GLUE JOINTS
SCALE: 3/8" = 1'-0"

GUSSET PLATES

1. EACH JOINT REQUIRES TWO GUSSETS, ONE ON EACH SIDE.
2. ALL GUSSET PLATES ARE 1/2" C-C EXTERIOR PLYWOOD, SANDED TO SMOOTH AND EVEN FINISH FOR THE GLUED TRUSS.
3. MEMBERS MUST BE SURFACED AND CLEAN.
4. MOISTURE CONTENT SHOULD NOT EXCEED 15%.
5. USE RESORCINOL RESIN GLUE AND 6d BOX NAILS.
6. MIX GLUE ACCORDING TO MFR. SPECIFICATIONS AND APPLY TO BOTH SURFACES TO BE JOINED. FASTEN GUSSET PLATES IN PLACE WITH NAILS AS SHOWN ABOVE. ENOUGH GLUE SHOULD BE APPLIED SO IT OZES OUT FROM JOINT WHEN NAILED.
7. GLUED TRUSS MAY BE MOVED CAREFULLY FROM THE JIG IMMEDIATELY AFTER GUSSET PLATES HAVE BEEN APPLIED.
8. TRUSSES MUST BE STACKED IN HORIZONTAL POSITION FOR AT LEAST 24 HOURS AFTER ASSEMBLY.
9. FABRICATE AT TEMPERATURE OF 70° OR SLIGHTLY HIGHER. KEEP MIXED GLUE BELOW 85°F.

DESIGN LOADS

COMBINED ROOF LOAD: 35 PSF -HP
CEILING LOAD: 10 PSF CEILING AREA
CONCENTRATED LOAD: 300 LBS. AT EACH JOINT ALONG LOWER CHORD

BASIC LUMBER STRESS

f = 1500 PSI BENDING & DIRECT TENSION.
c = 1200 PSI COMPRESSION PARALLEL TO GRAIN.
E = 1,760,000 PSI MODULUS OF ELASTICITY.

LUMBER

NO. 1 SOUTHERN PINE OR DOUGLAS FIR

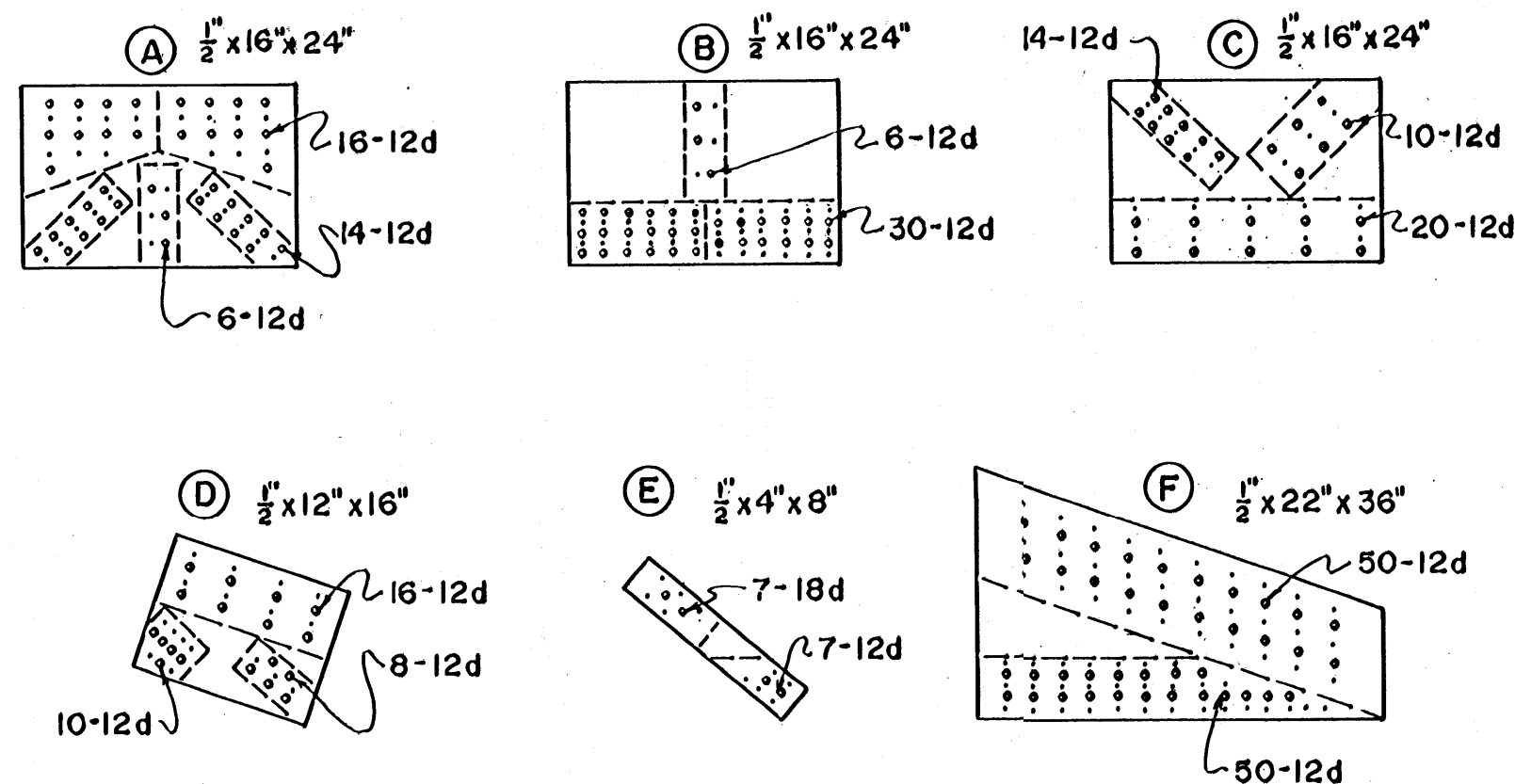
FABRICATION

DIRECTION OF FACE GRAIN OF GUSSETS B AND F MUST BE PARALLEL TO LOWER CHORD.
CUT ALL MEMBERS FOR ONE TRUSS AND ASSEMBLE. USE THIS TRUSS AS A PATTERN, BUILD A JIG TO ASSEMBLE THE REMAINING TRUSSES.
ALL TRUSS MEMBERS ARE IN THE SAME PLANE AND ALL JOINTS ARE BUTT JOINTS.

BILL OF MATERIALS FOR ONE TRUSS LUMBER AND PLYWOOD

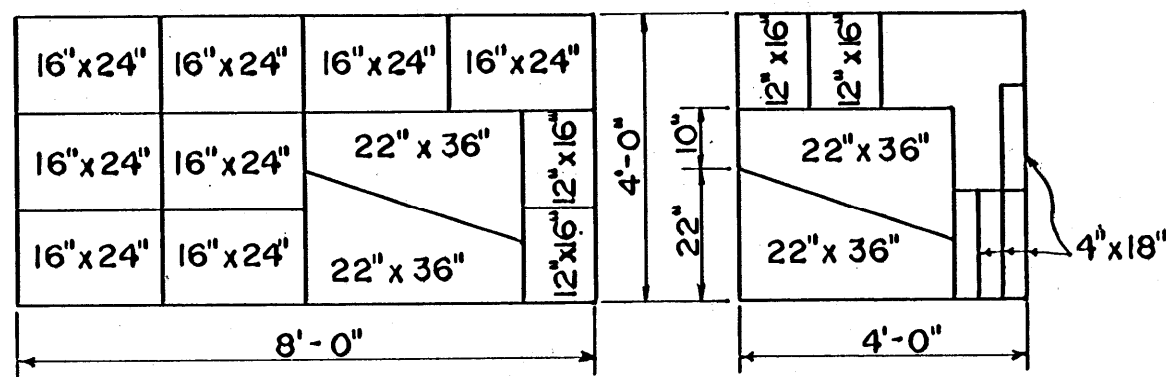
	F B M
2 - 2x10x22'-0"	74
2 - 2x6x20'-0"	40
1 - 2x6x8'-0"	8
2 - 2x4x12'-0"	16
1 - 2x4x6'-0"	4
TOTAL F B M	142

1 1/2 - 4'-0" x 8'-0" SHEETS OF 1/2" EXTERIOR C.C. PLYWOOD



NAILING SCHEDULE & GUSSET PLATE SIZE
SCALE: 3/4" = 1'-0"

1. NAILS HELICALLY THREADED 12d.
2. USE NAIL SCHEDULE AS SHOWN ABOVE.
3. NAILS SHOWN BY CIRCLES (o) ARE DRIVEN FROM NEAR SIDE; REMAINING NAILS SHOWN BY DOTS (•) ARE DRIVEN FROM FAR SIDE.
4. ALL NAILS MUST BE CLINCHED.
5. NAIL SIZE, TYPE, SPACING AND NUMBER ARE CRITICAL. USE A TEMPLATE TO ASSURE PROPER SPACING AND NUMBER OF NAILS AT EACH JOINT.
6. MINIMUM SPACING OF NAILS ALL JOINTS - 2 1/4" PARALLEL TO GRAIN - 3/4" ACROSS GRAIN AND AT EDGES.
7. SPACE NAILS FARTHER APART WHERE POSSIBLE.



CUTTING DIAGRAM FOR GUSSETS
SCALE: 3/8" = 1'-0"

COOPERATIVE EXTENSION WORK IN
AGRICULTURE AND HOME ECONOMICS
STATE OF MISSISSIPPI
MISSISSIPPI STATE UNIVERSITY
AND
UNITED STATES DEPARTMENT OF AGRICULTURE COOPERATING

**POULTRY HOUSE
CAGED LAYERS**

W.VA. '71 6131 SHEET 3 OF 3