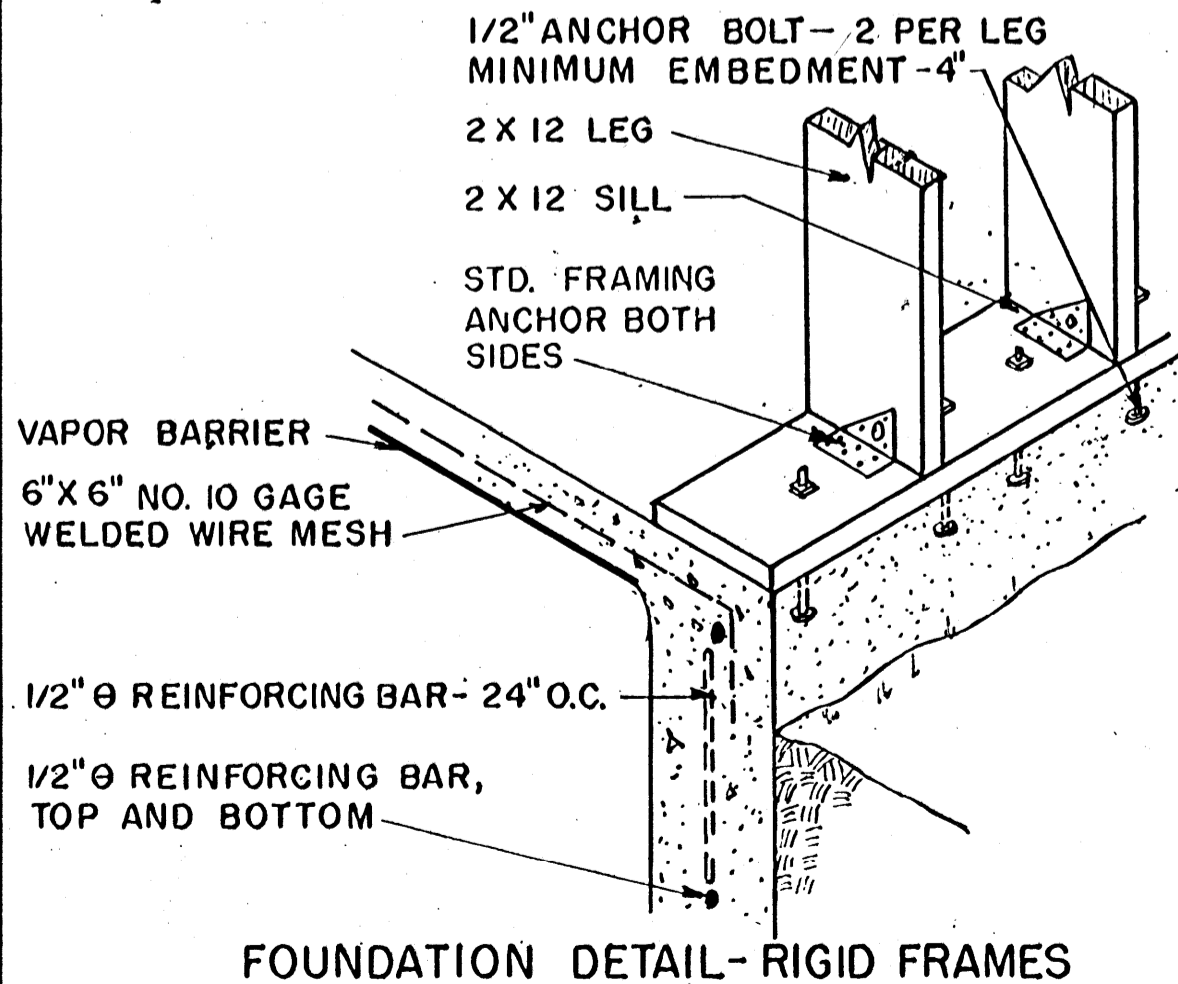
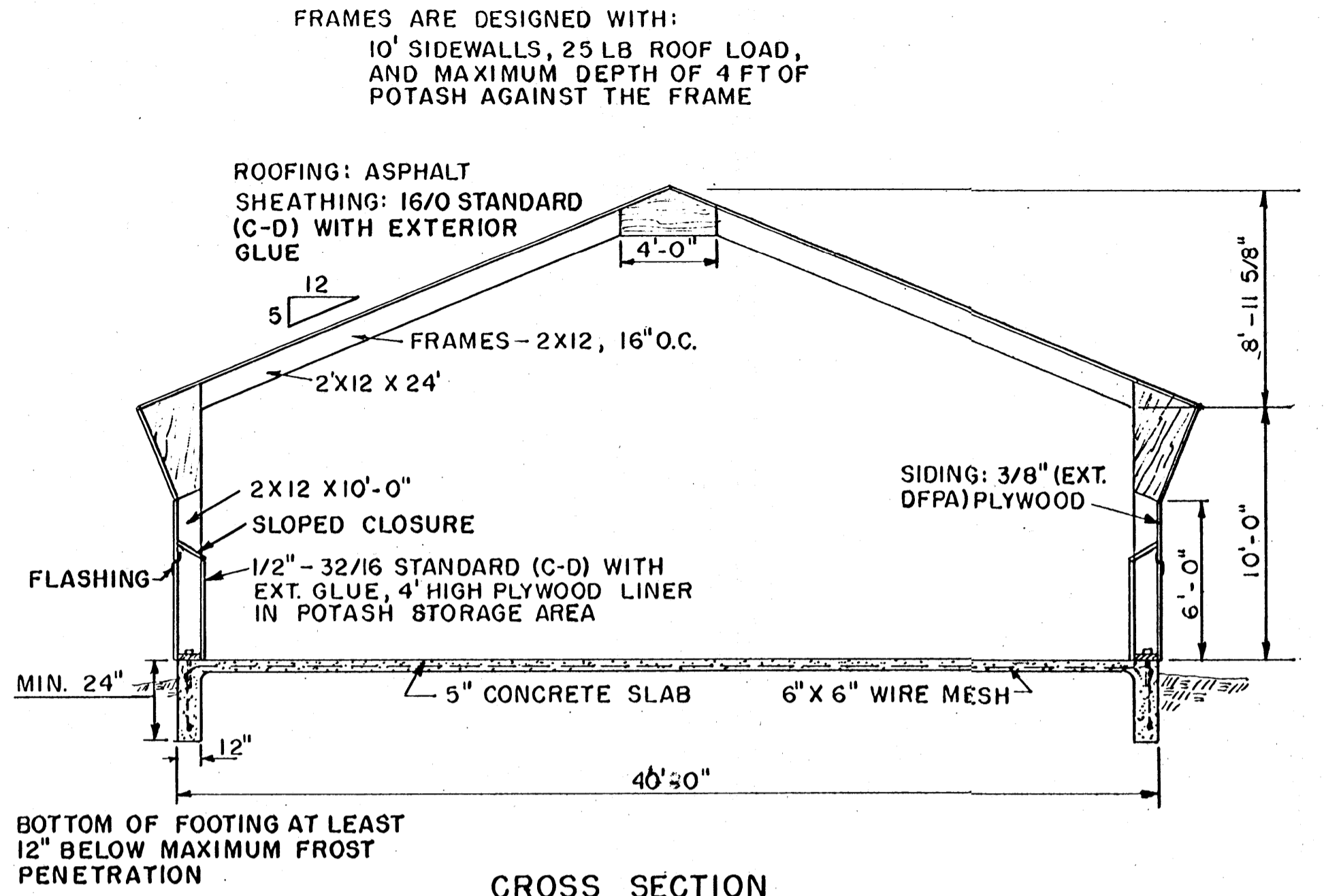


PLAN

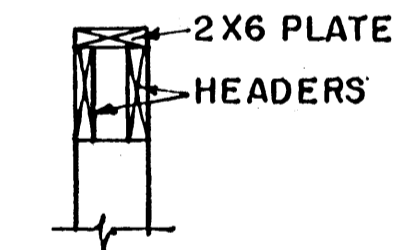
This design is based on the use of American Plywood Association Grade-Trademarked plywood. Structural deficiencies may result with the substitution of materials. Because erection of the structure cannot be supervised no liability can be assumed by the designer or the American Plywood Association. Mention of a trade name does not constitute a guarantee or warranty of the product by the U.S. Department of Agriculture or an endorsement by the Department over other products not mentioned.



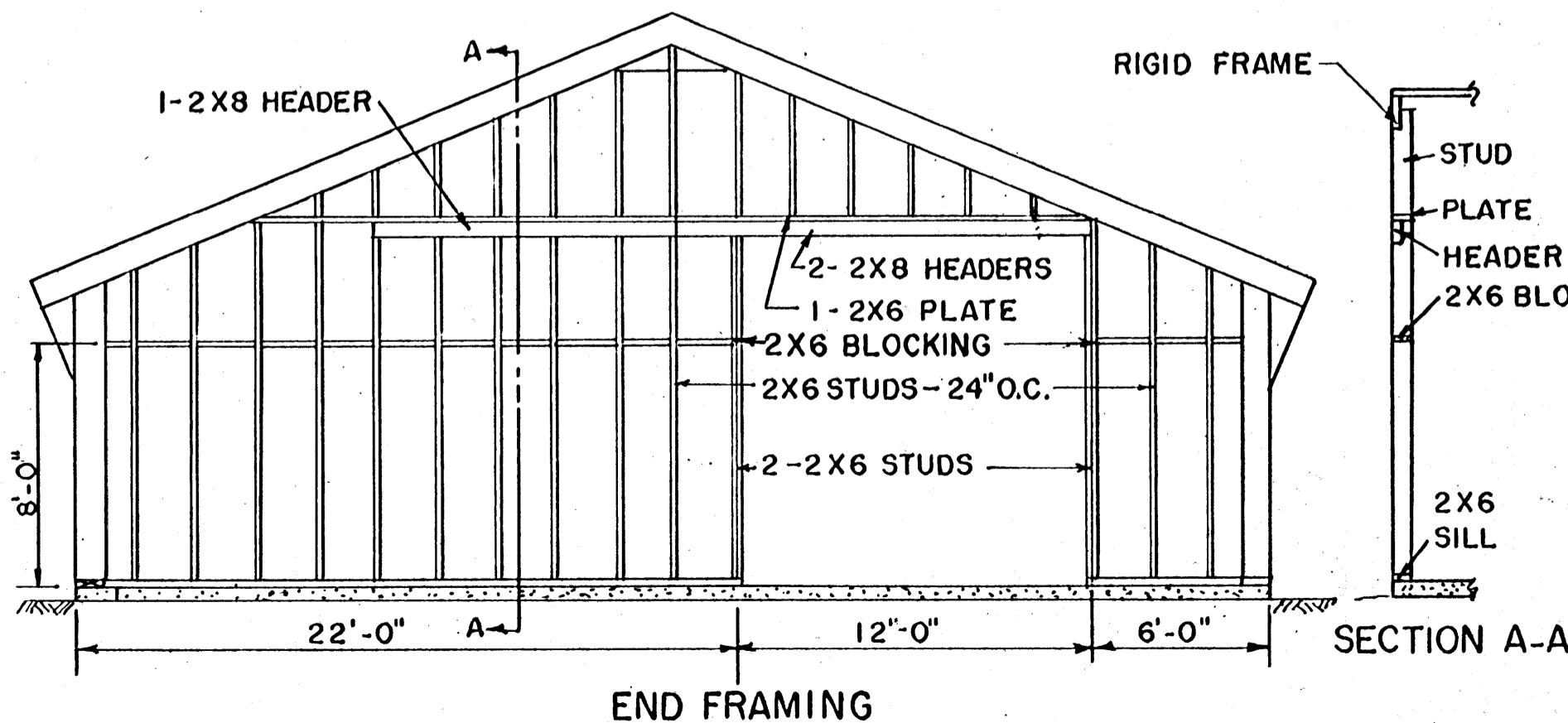
FOUNDATION DETAIL- RIGID FRAMES



CROSS SECTION



2 X 8 HEADERS OVER DOOR OPENING



END FRAMING

NOTES

ALL FASTENERS SHALL BE CORROSION-RESISTANT OR STAINLESS STEEL.

LUMBER: CONSTRUCTION GRADE DOUGLAS FIR, NO. 2 SOUTHERN YELLOW PINE OR EQUIVALENT GRADES WITH $F_b = 1500$ PSI

PLYWOOD: ALL PLYWOOD IS DFPA GRADE TRADEMARKED.

GUSSETS: C-C EXTERIOR

ROOF SHEATHING & LINER: STANDARD (C-D) WITH EXTERIOR GLUE

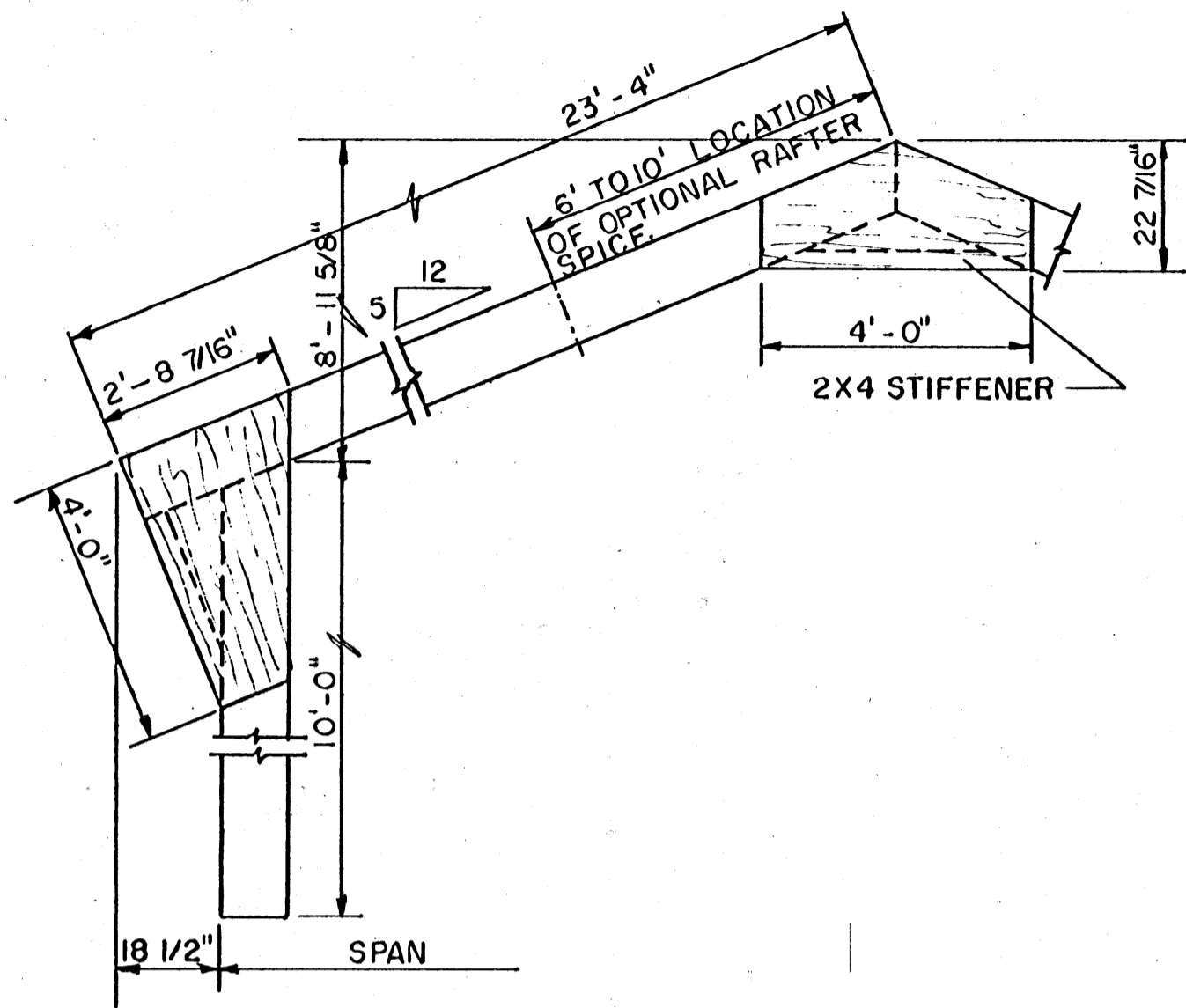
SIDING: ANY GRADE OF EXTERIOR (EXT-DFPA)

AMERICAN PLYWOOD ASSOC.
FORM NO. 70-145

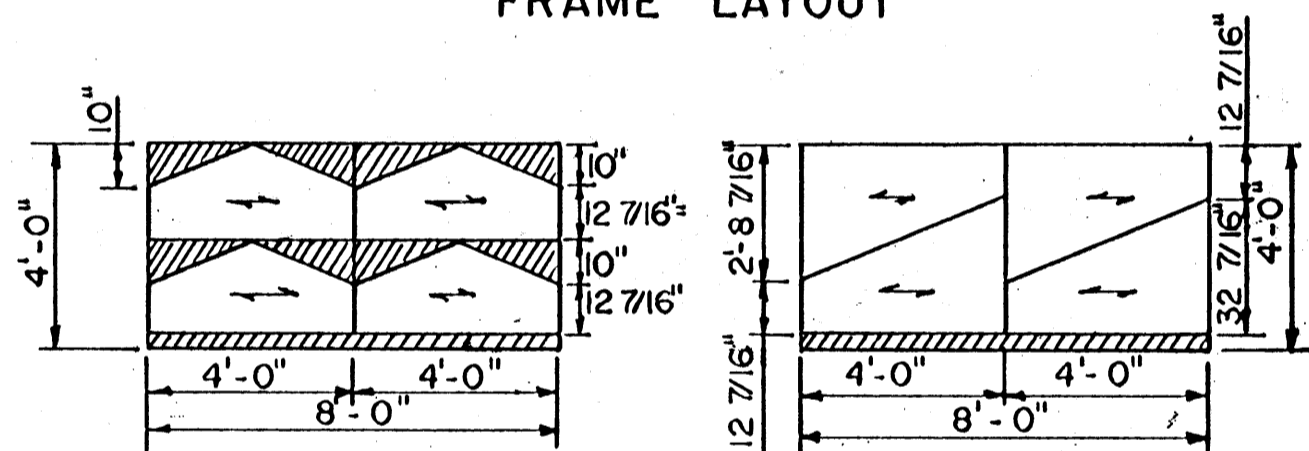
COOPERATIVE EXTENSION WORK IN
AGRICULTURE AND HOME ECONOMICS
STATE OF MISSISSIPPI
MISSISSIPPI STATE UNIVERSITY
AND
UNITED STATES DEPARTMENT OF AGRICULTURE COOPERATING

**FERTILIZER STORAGE
40' RIGID FRAME.**

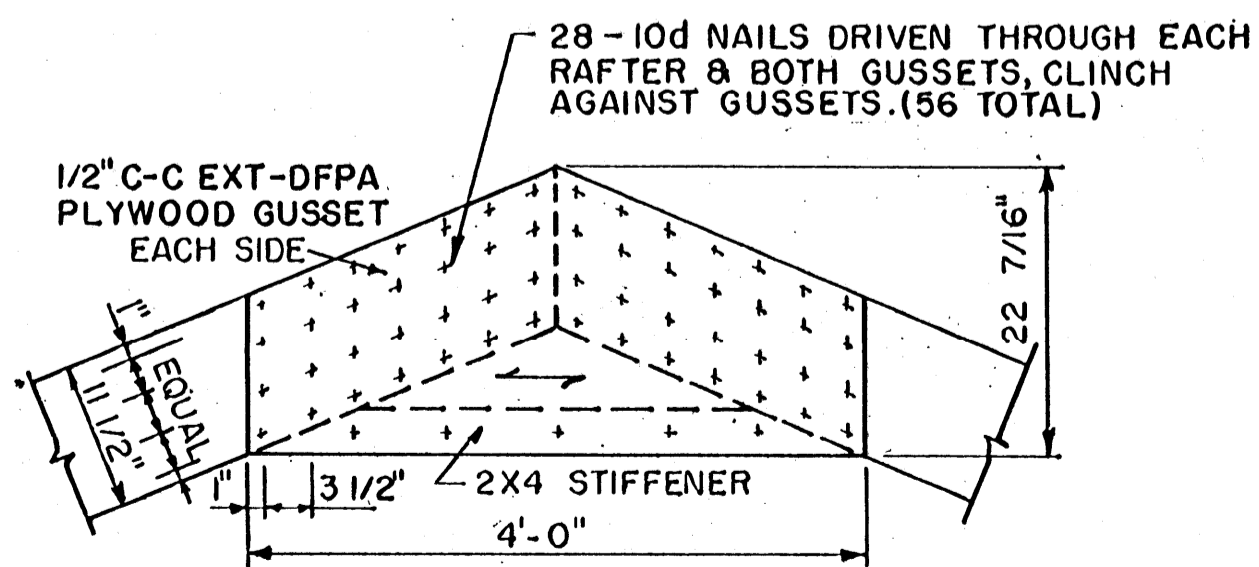
APA '71 6117 SHEET 1 OF 2



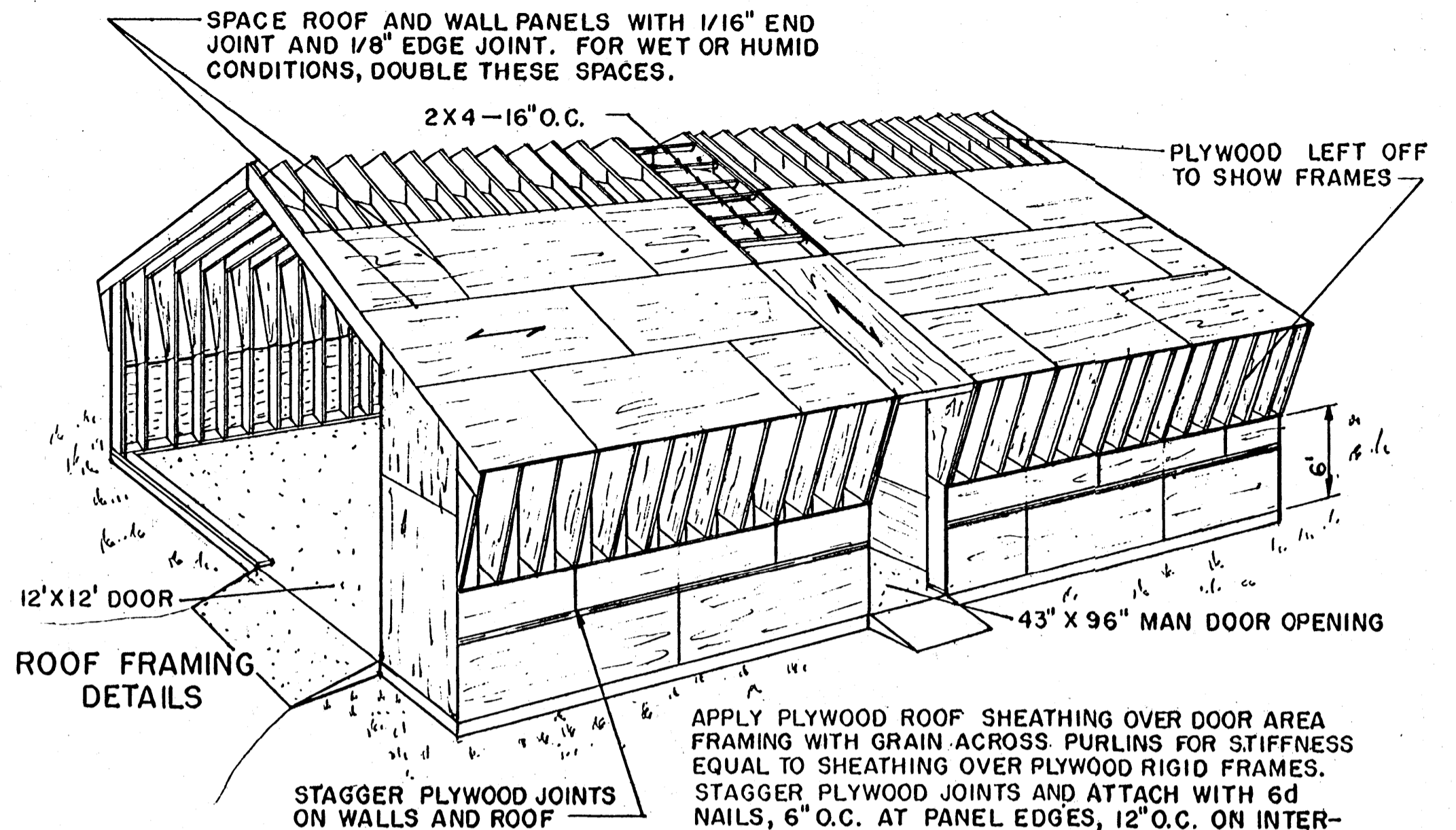
FRAME LAYOUT



1/2" C-C EXTERIOR DFPA
PLYWOOD CUTTING DIAGRAM

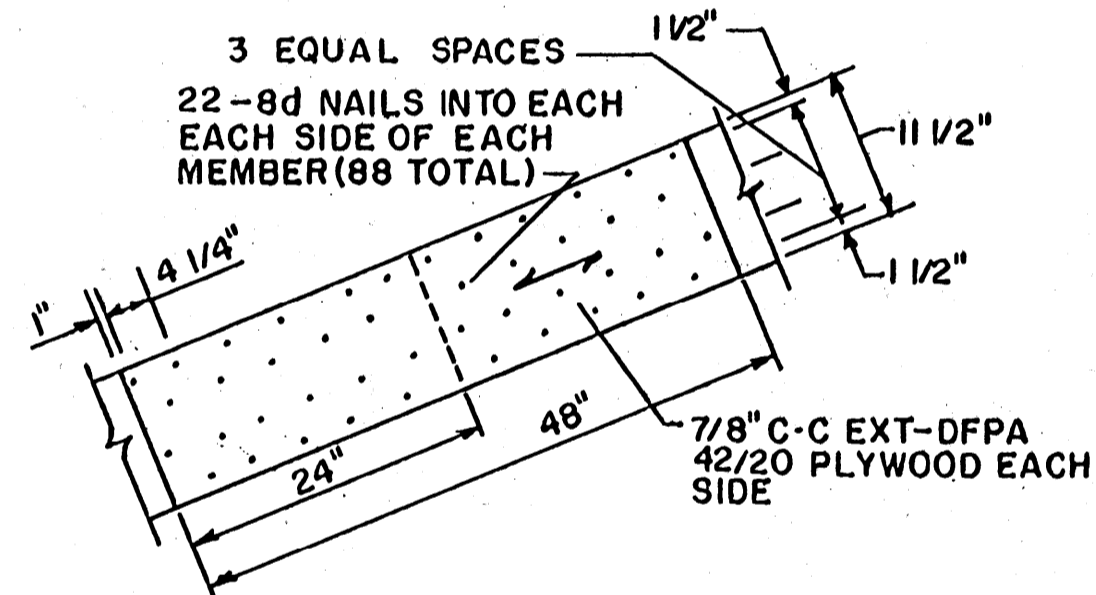


CROWN GUSSET DETAILS

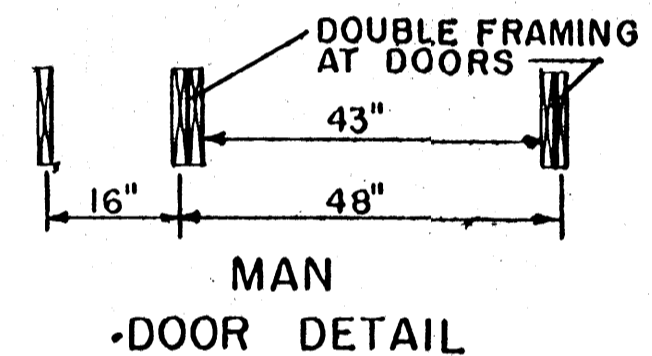


ROOF FRAMING
DETAILS

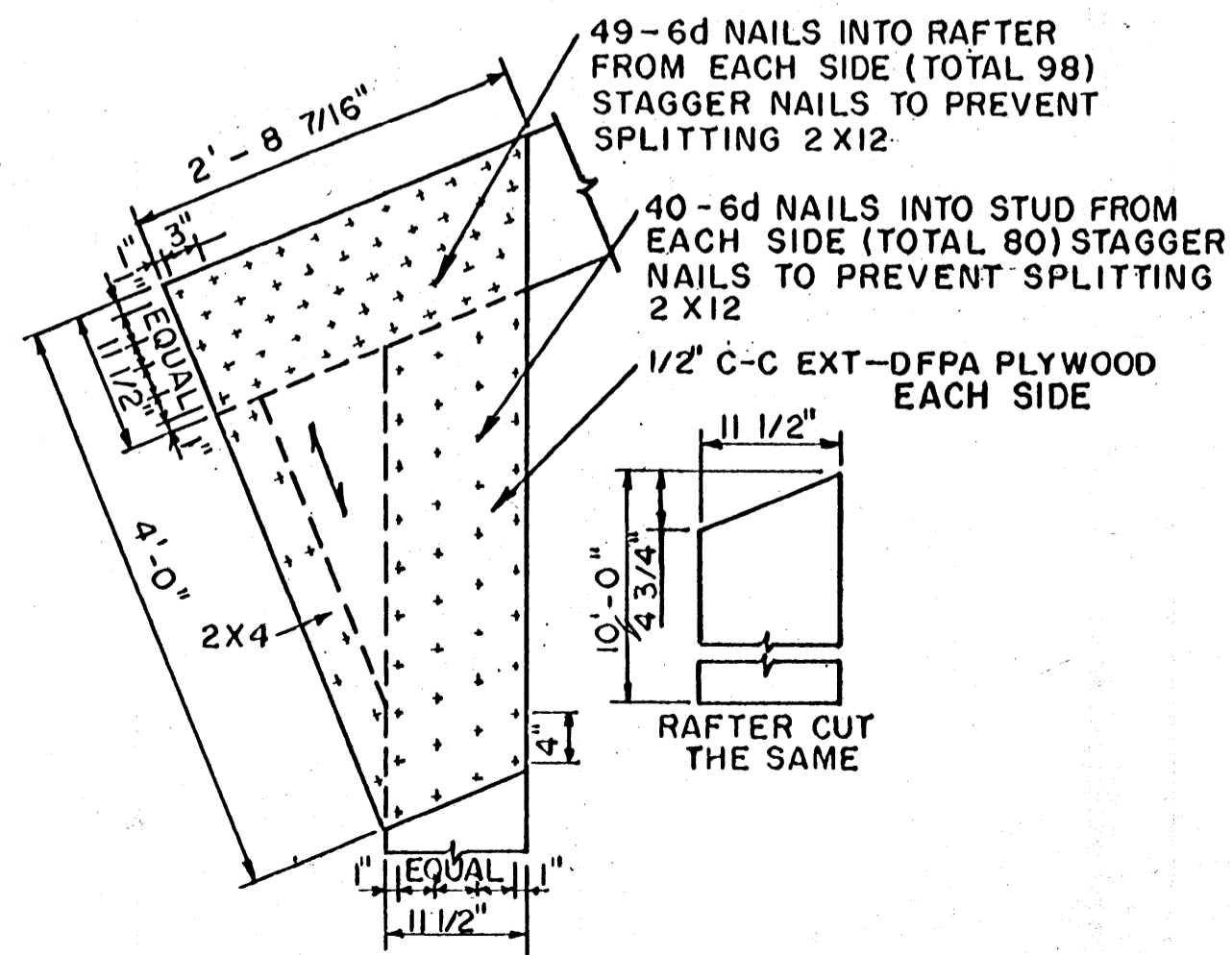
APPLY PLYWOOD ROOF SHEATHING OVER DOOR AREA FRAMING WITH GRAIN ACROSS. PURLINS FOR STIFFNESS EQUAL TO SHEATHING OVER PLYWOOD RIGID FRAMES. STAGGER PLYWOOD JOINTS AND ATTACH WITH 6d NAILS, 6" O.C. AT PANEL EDGES, 12" O.C. ON INTERMEDIATE NAILERS.



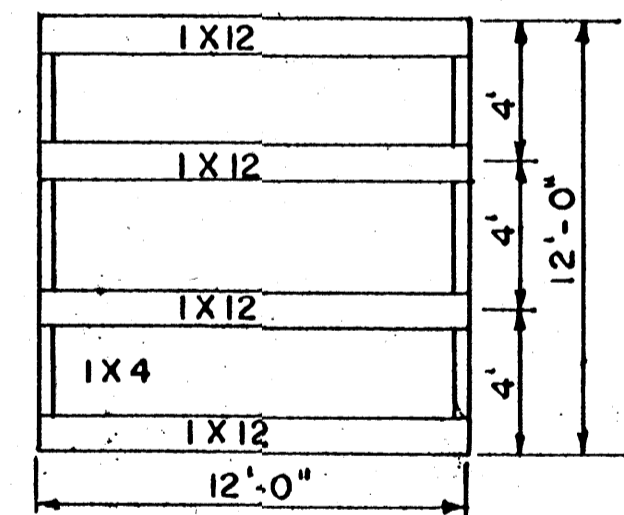
OPTIONAL SPLICE OR RAFTER



MAN
DOOR DETAIL



HAUNCH GUSSET DETAILS



FRAMING FOR 12' X 12' DOOR

COOPERATIVE EXTENSION WORK IN AGRICULTURE AND HOME ECONOMICS		
STATE OF MISSISSIPPI		
MISSISSIPPI STATE UNIVERSITY		
AND UNITED STATES DEPARTMENT OF AGRICULTURE COOPERATING		
FERTILIZER STORAGE 40' RIGID FRAME		
APA '71	6117	SHEET 2 OF 2