

CROSS SECTION OF SILO

NOTES

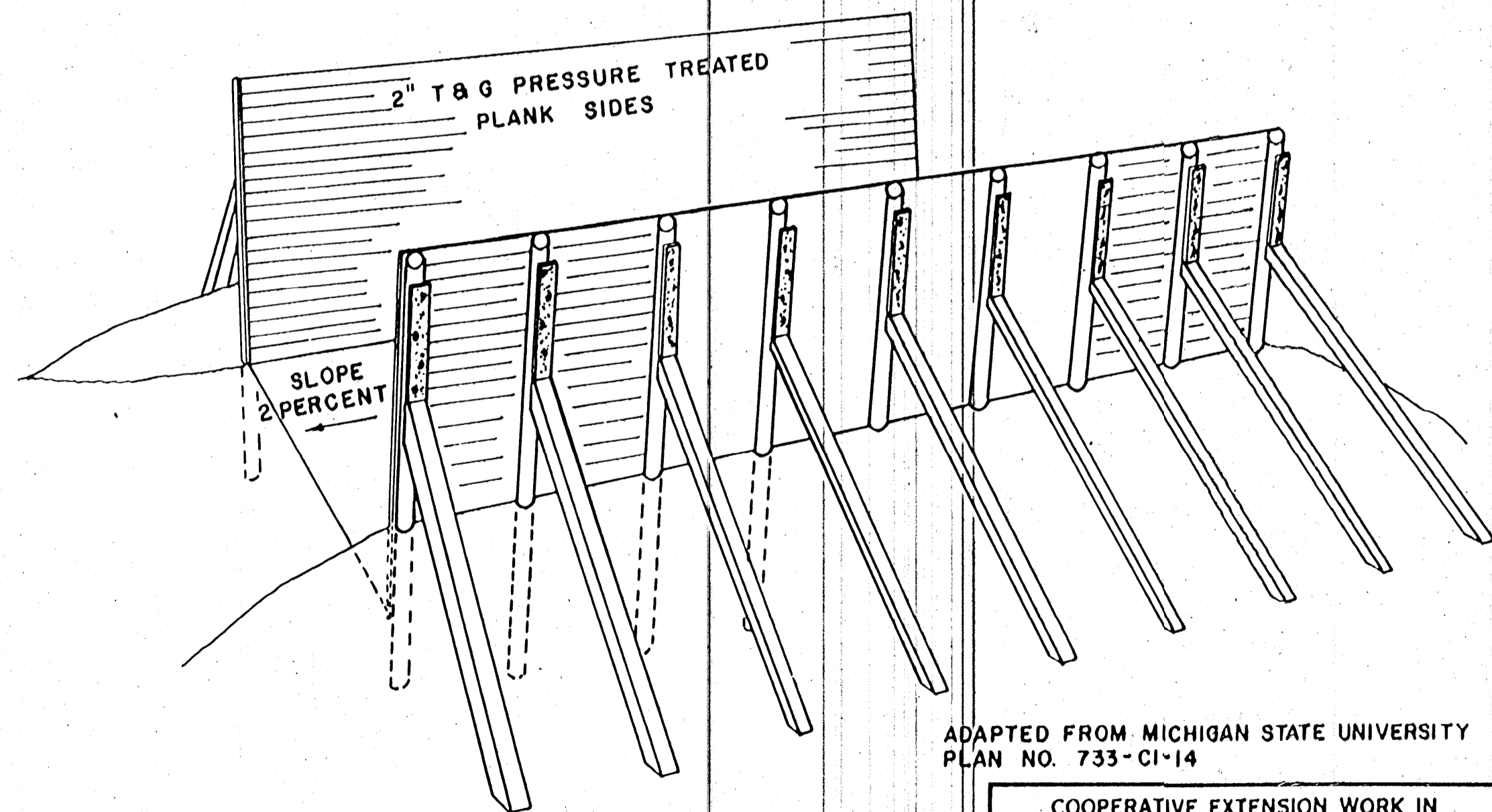
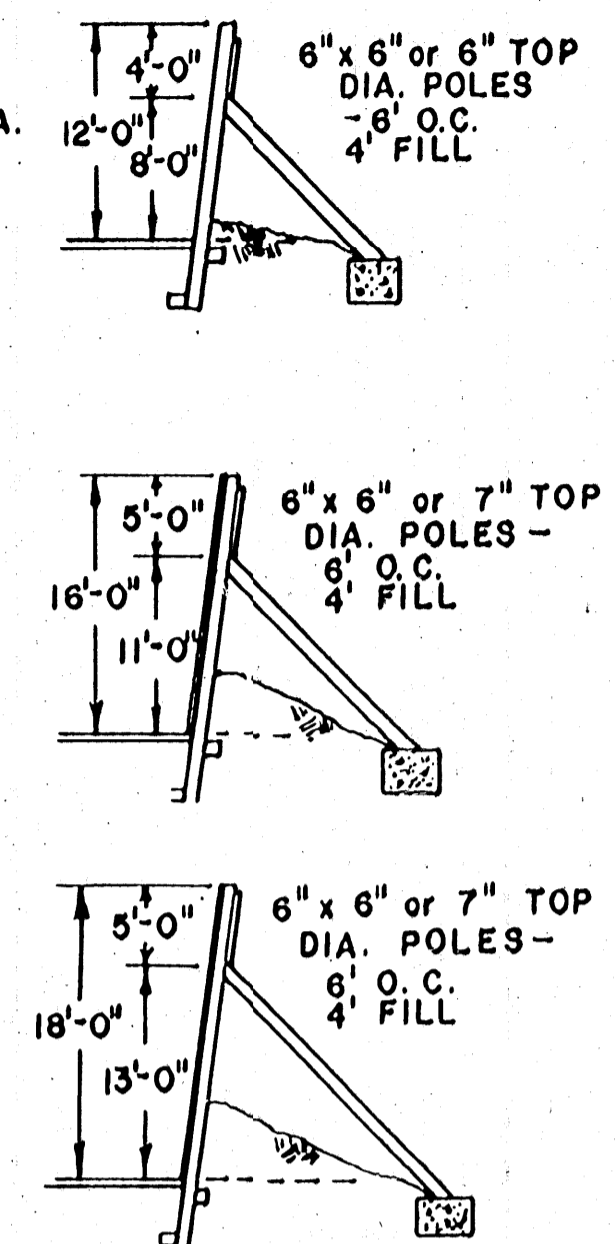
1. CAPACITY IS BASED ON 40 POUNDS PER CUBIC FOOT.
2. A DAILY USE RATE OF 4" OF SILAGE IS RECOMMENDED IN WARM WEATHER TO KEEP SILAGE FRESH.
3. ALL CONCRETE SHOULD CONTAIN 40% SAND, 60% GRAVEL AND NOT MORE THAN 6 GALLONS OF WATER PER SACK OF CEMENT.
4. ALL WOOD SHOULD BE PRESSURE TREATED WITH 8 POUND RETENTION PER CUBIC FOOT OF WOOD.
5. STAGGER JOINTS IN THE CENTER AND END MATCHED SIDING.
6. BE SURE TO SET GRADE SO WATER WILL DRAIN AWAY FROM SILO.
7. USE RUST PROOF 16d NAILS FOR THE SIDING.

CAUTION:
SOME PRESSURE TREATED POSTS & LUMBER USE PRESERVATIVES THAT EPA DOES NOT ALLOW IN CONTACT WITH FEED. IN SUCH CASES, PLYWOOD OR PLASTIC SHOULD BE USED AS A LINER. CHECK SUPPLIER OR LABELS FOR GUIDANCE.

**BUNKER SILO CAPACITIES
TONS/FOOT OF LENGTH**

DEPTH	WIDTH					
	30'	40'	50'	60'	70'	80'
8'	5	6.5	8.1	10.0	11.3	13.0
10'	6.2	8.4	10.2	12.2	14.2	16.2
12'	7.5	10.0	12.3	14.6	17.0	20.0
14'	8.7	11.5	14.3	17.0	20.0	22.7
16'	10.0	13.1	16.3	20.0	22.7	26.0
18'	11.1	14.7	18.3	22.0	27.6	29.1

**WALL CONSTRUCTION
FOR VARYING DEPTHS**



PERSPECTIVE

ADAPTED FROM MICHIGAN STATE UNIVERSITY
PLAN NO. 733-CI-14

COOPERATIVE EXTENSION WORK IN
AGRICULTURE AND HOME ECONOMICS

AND
UNITED STATES DEPARTMENT OF AGRICULTURE COOPERATING

WOOD BUNKER SILO

MICH.-PA. '71 6109 SHEET 1 OF 1

REVISED '88