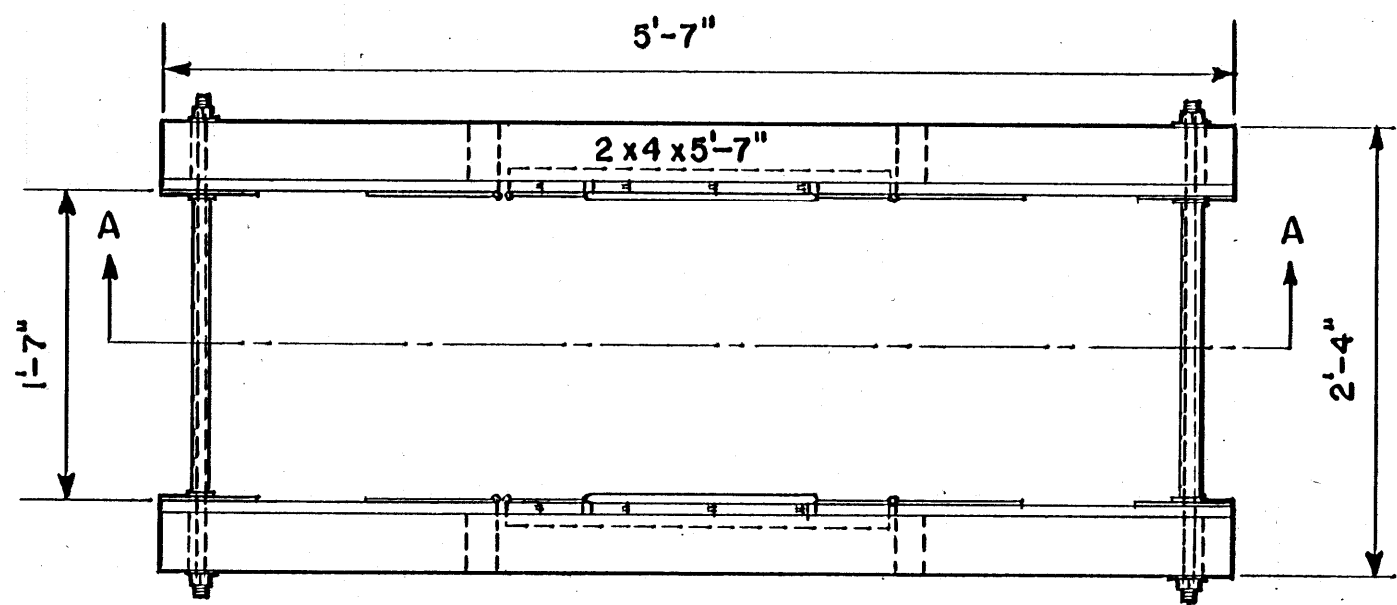


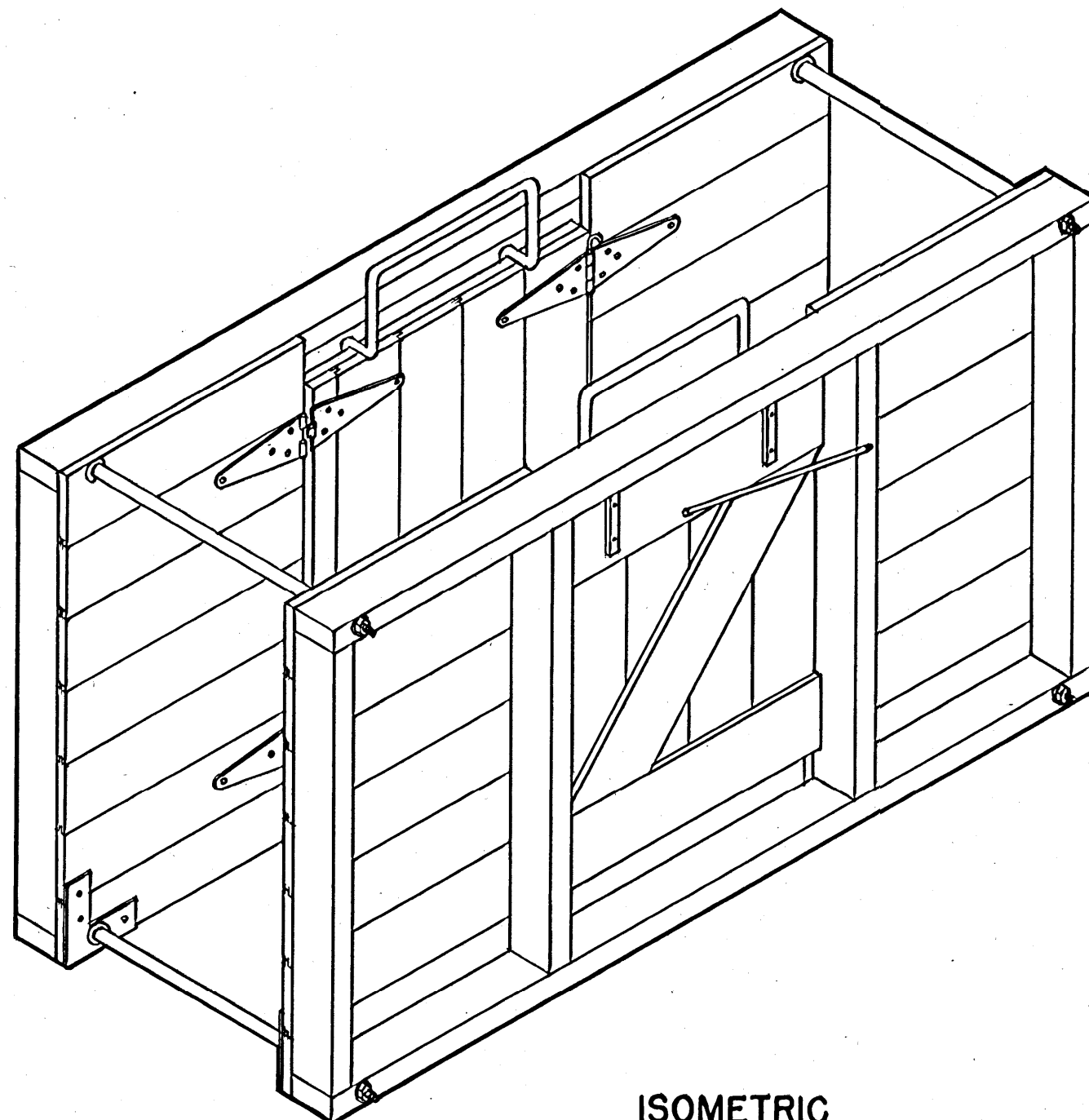
SECTION A-A



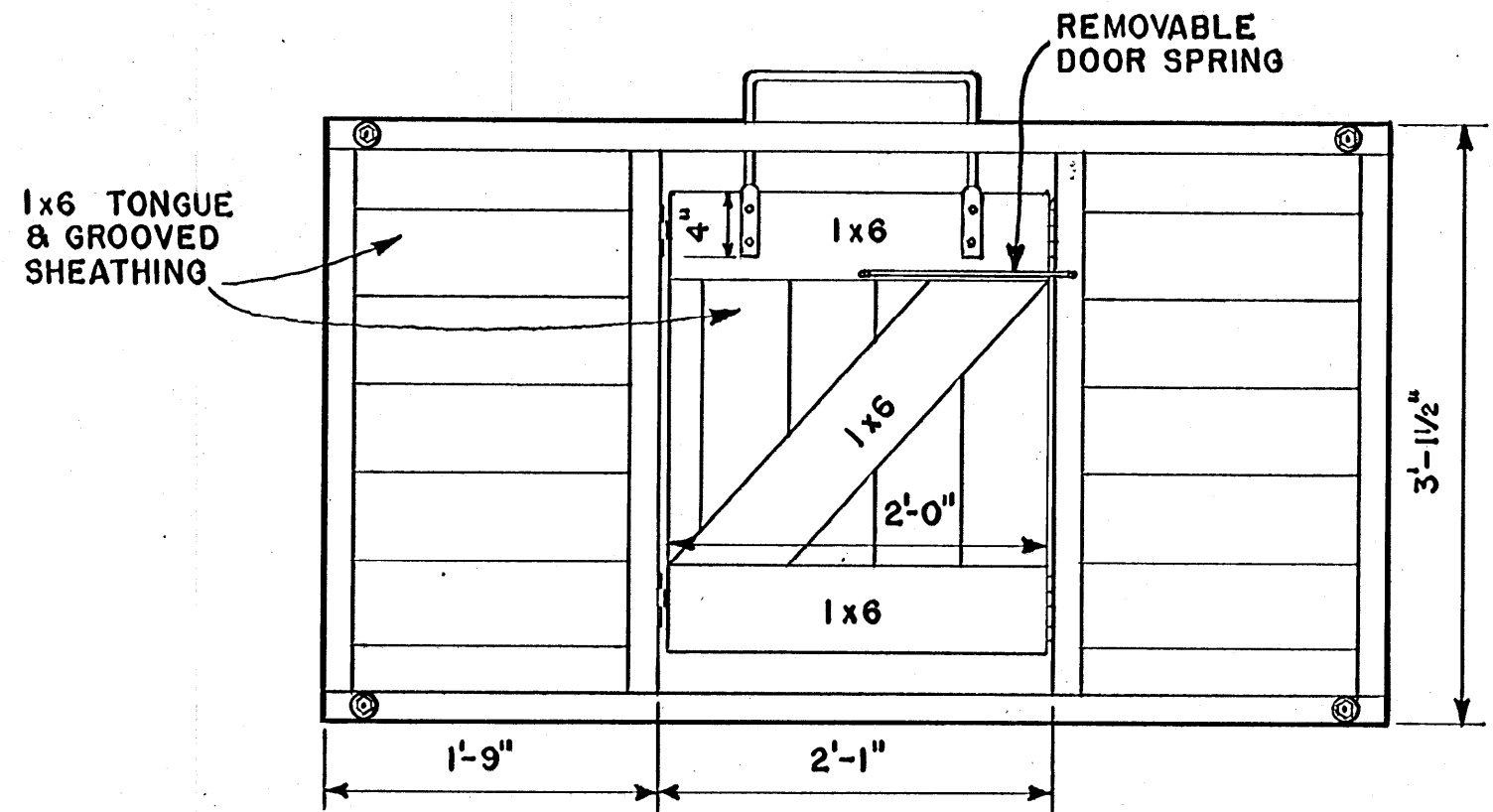
PLAN

SCALE: 1"=1'-0"

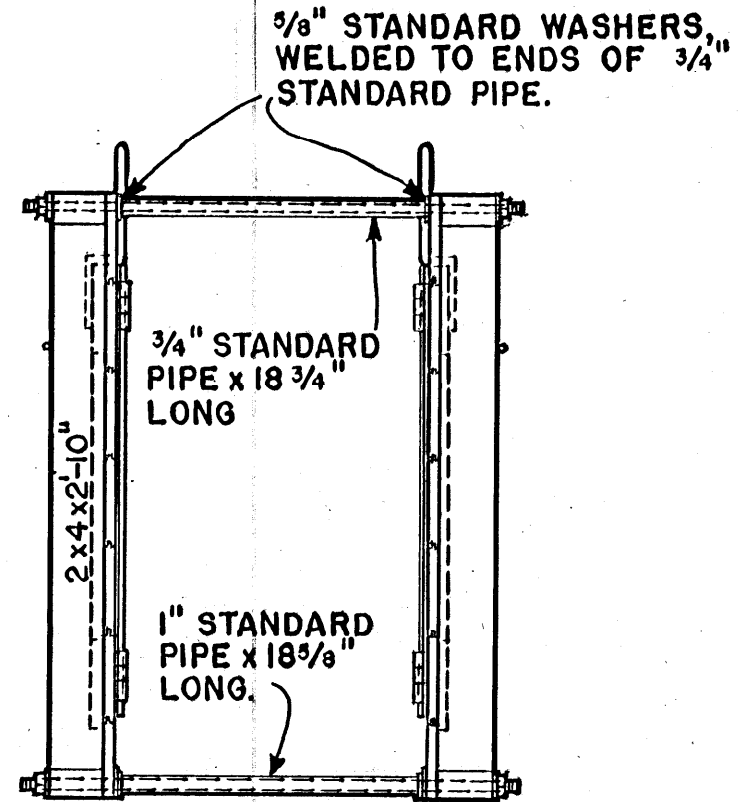
3/8"  $\phi$  ROD 2'-7" LONG  
THREAD 2" ON EACH  
END. WITH TWO 3/4"  
STANDARD WASHERS.



ISOMETRIC



ELEVATION



END ELEVATION

NOTE: (FOR BOTH DOORS)  
DOOR SPRING AND HINGE PIN ROD  
CAN BE MOVED TO OTHER EDGE  
OF DOOR TO REVERSE DIRECTION

COOPERATIVE EXTENSION WORK IN  
AGRICULTURE AND HOME ECONOMICS  
STATE OF MISSISSIPPI  
MISSISSIPPI STATE UNIVERSITY  
AND  
UNITED STATES DEPARTMENT OF AGRICULTURE COOPERATING

CUTTING GATES FOR SHEEP  
THREE-WAY

MONT. & ORE. '68 EX. 6058 SHEET 1 OF 1