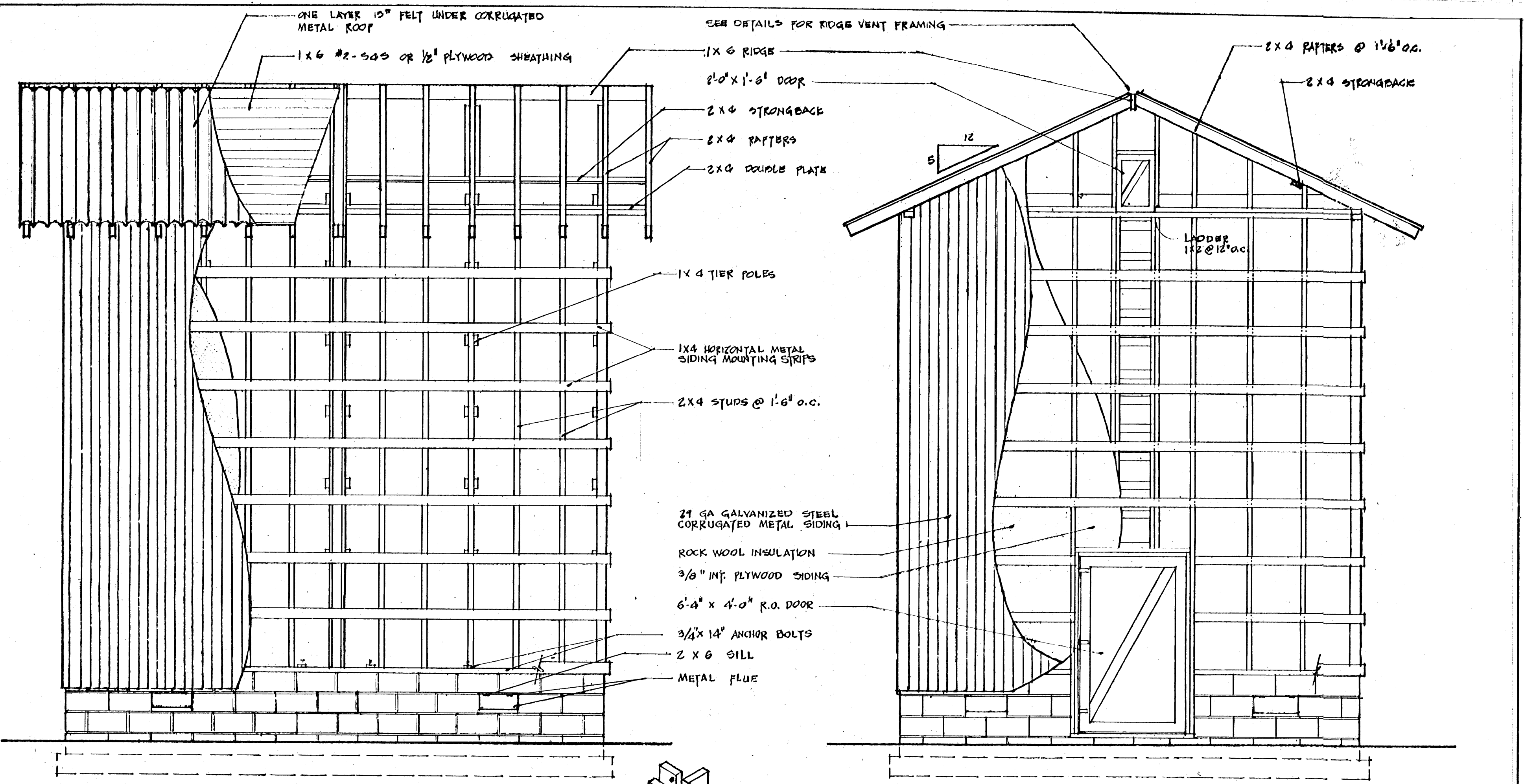


UNIV. OF FLA. PLAN 236  
COOPERATIVE EXTENSION WORK IN  
AGRICULTURE AND HOME ECONOMICS  
STATE OF MISSISSIPPI  
MISSISSIPPI STATE UNIVERSITY  
AND  
UNITED STATES DEPARTMENT OF AGRICULTURE COOPERATING

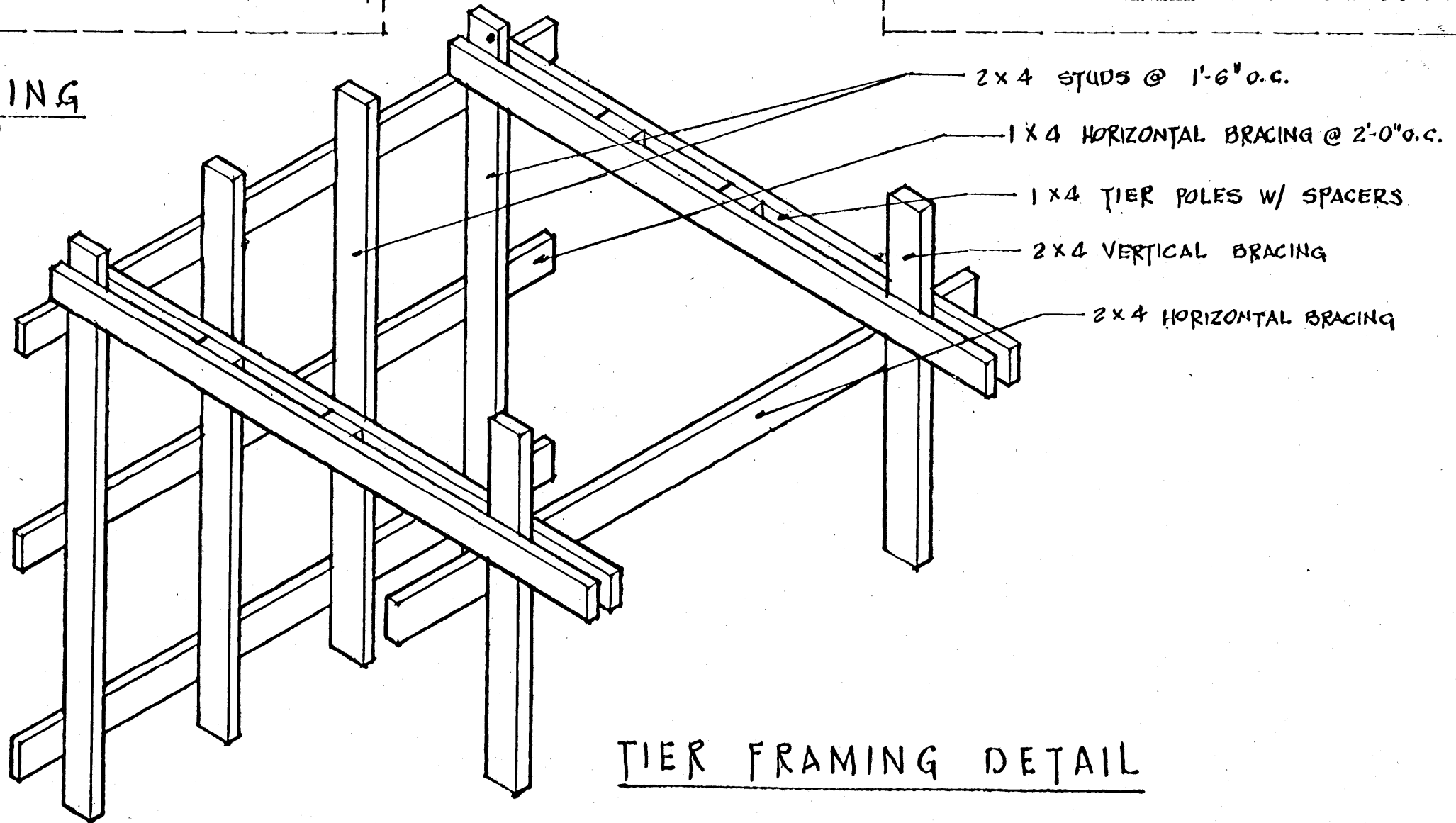
**TOBACCO BARN  
4 ROOM**

FLA. '67	EX. 6016	SHEET 1 OF 2
----------	----------	--------------

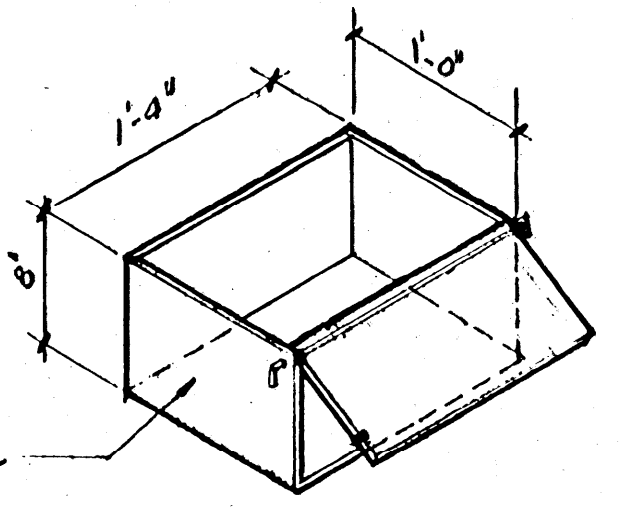


**SIDE FRAMING**  
SCALE: 3/8" = 1'-0"

**END FRAMING**  
SCALE: 3/8" = 1'-0"



**TIER FRAMING DETAIL**



**METAL FLUE**

26 GA. GALV. STEEL

COOPERATIVE EXTENSION WORK IN  
AGRICULTURE AND HOME ECONOMICS  
STATE OF MISSISSIPPI  
MISSISSIPPI STATE UNIVERSITY  
AND  
UNITED STATES DEPARTMENT OF AGRICULTURE COOPERATING

**TOBACCO BARN**  
4 ROOM  
FLA. '67 EX. 6016 SHEET 2 OF 2