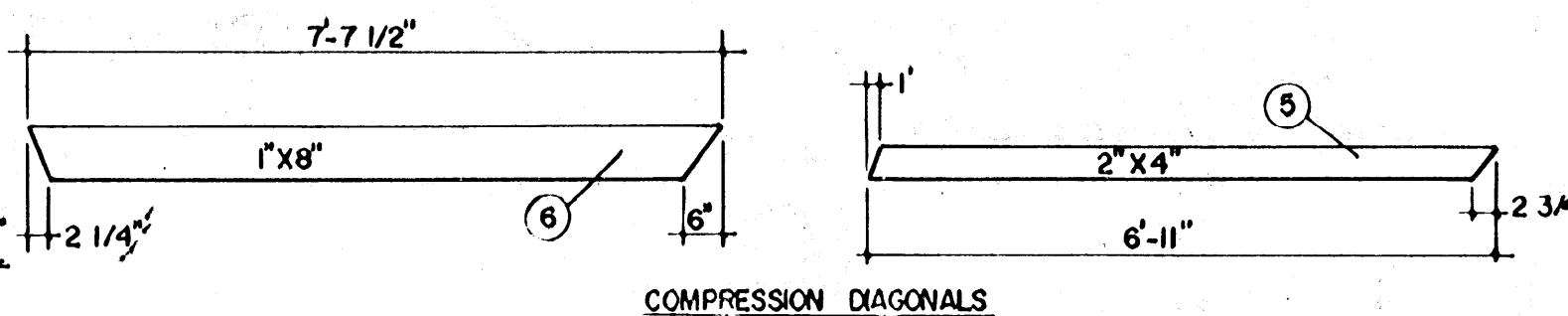
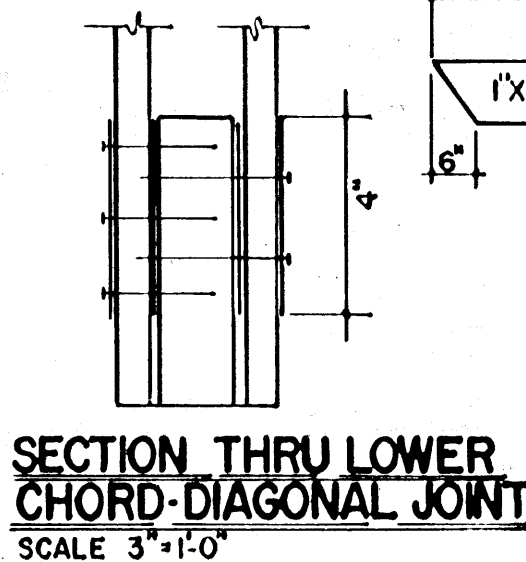
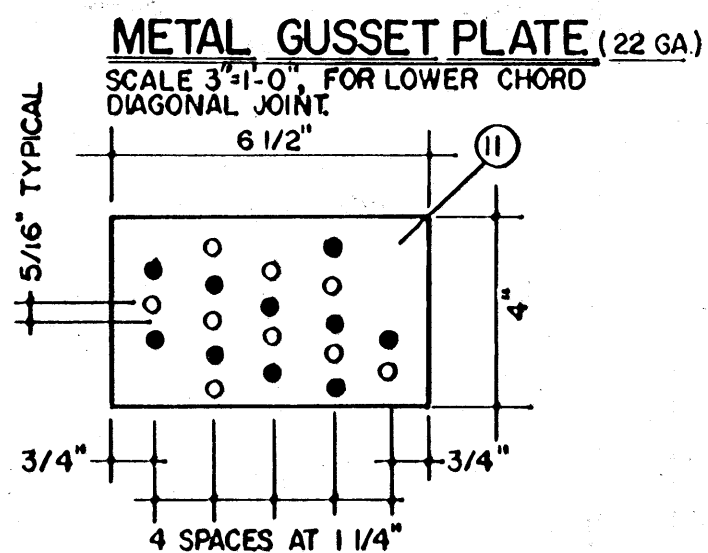
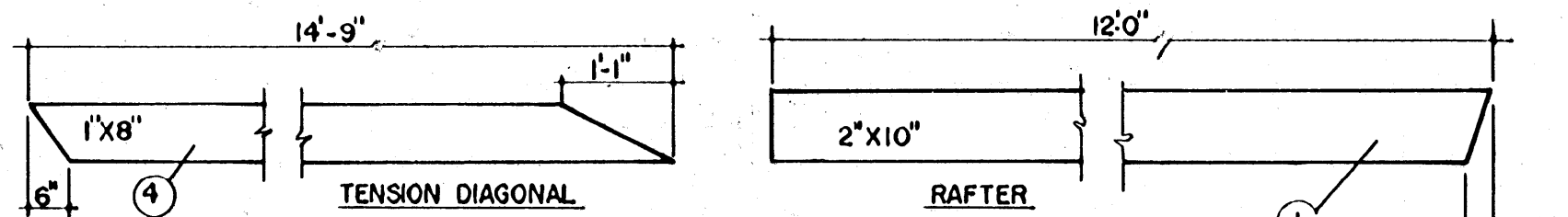
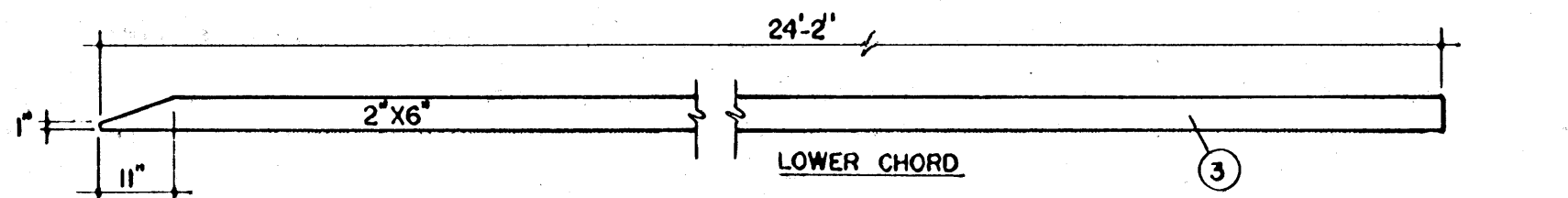
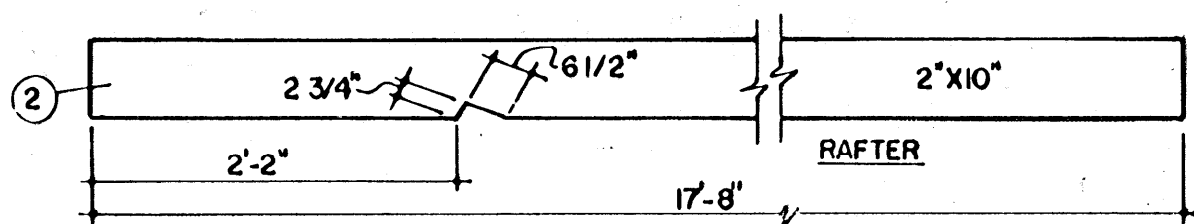
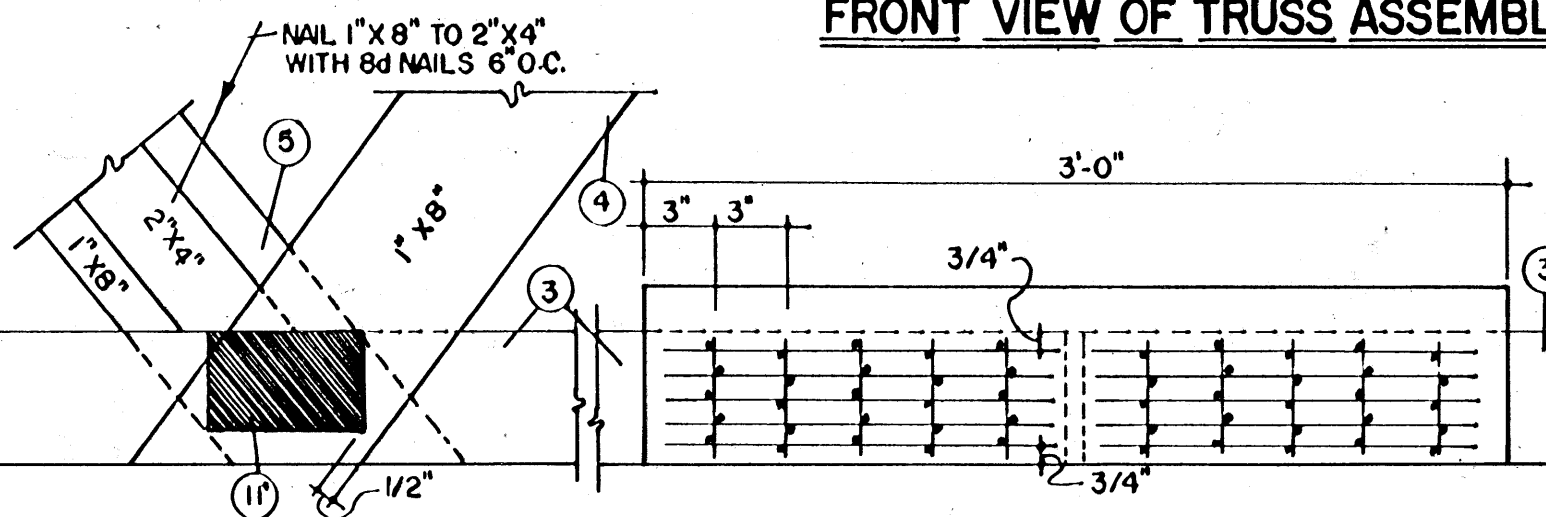
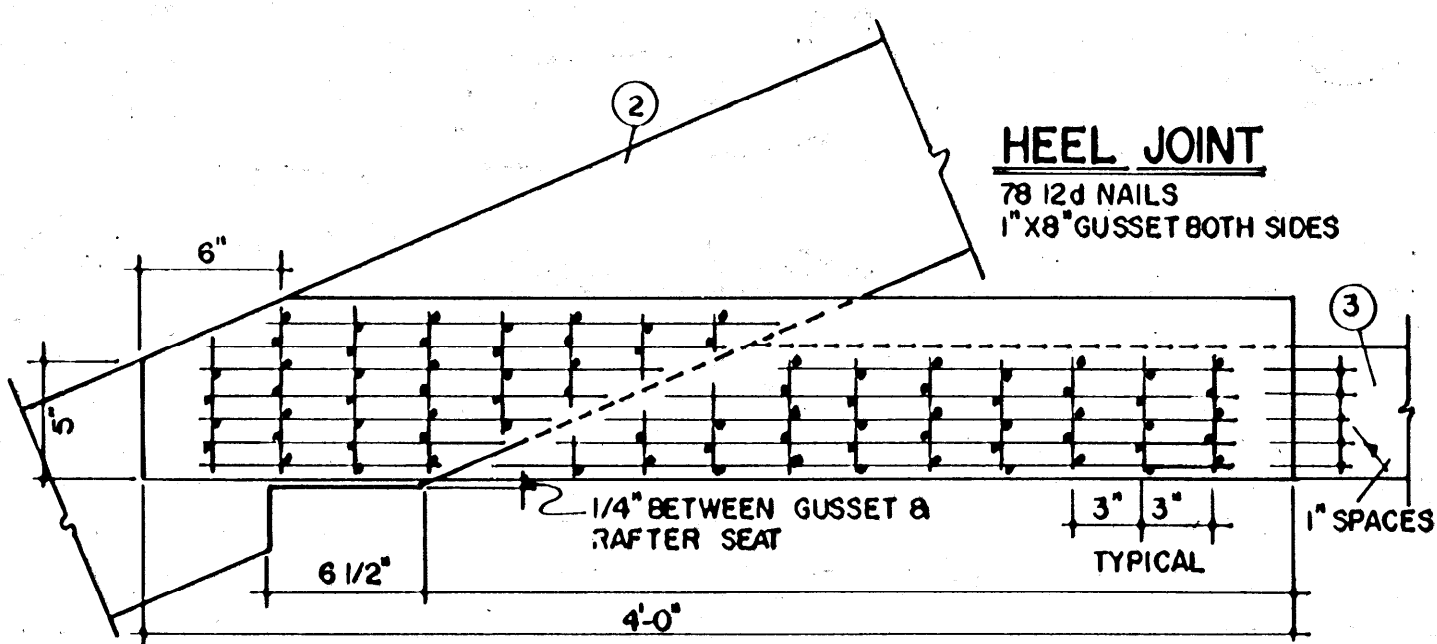
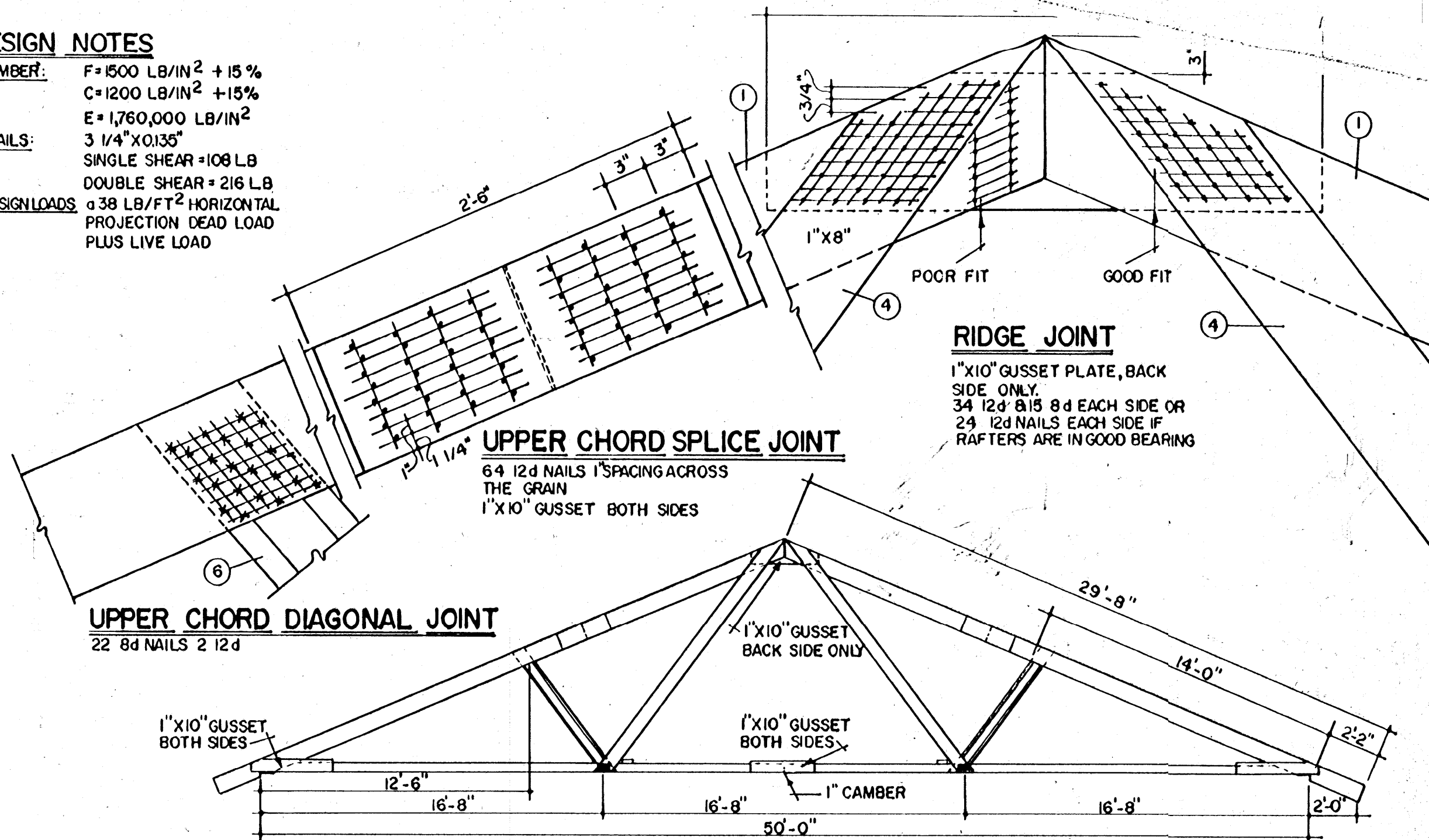


DESIGN NOTES

1. LUMBER: F = 1500 LB/IN² + 15%
C = 1200 LB/IN² + 15%
E = 1,760,000 LB/IN²
2. NAILS: 3 1/4" X 0.135"
SINGLE SHEAR = 108 LB
DOUBLE SHEAR = 216 LB
3. DESIGN LOADS: 38 LB/FT² HORIZONTAL PROJECTION DEAD LOAD PLUS LIVE LOAD



NOTES & SPECIFICATIONS

1. LUMBER: CONSTRUCTION GRADE DOUGLAS FIR OR EQUIVALENT.
2. TRUSSES SPACED 4'-0" ON CENTERS.
3. CAMBER: 1" AT CENTER SPLICE.
4. NAILS: USE HARDENED, HELICALLY THREADED SCREWTITE NAILS OR EQUIVALENT. DRIVE ALL NAILS FROM THE FRONT EXCEPT THOSE SHOWN AS X.
5. MAKE AND USE A NAILING TEMPLATE FOR LOCATING ALL NAILS.
6. MINIMUM END GRAIN NAIL SPACING, ALL MEMBERS 2 1/2"-3"
7. MINIMUM EDGE GRAIN NAIL SPACING, ALL MEMBERS 3/4"-1"

COOPERATIVE EXTENSION WORK IN AGRICULTURE AND HOME ECONOMICS
STATE OF MISSISSIPPI
MISSISSIPPI STATE UNIVERSITY
AND
UNITED STATES DEPARTMENT OF AGRICULTURE COOPERATING

**50' NAILED TRUSS
5 IN 12 SLOPE . 4'-0" SPACING**

DES. BY RGL DRN. BY TDB CHK. BY RGL

MASS. '67 EX. 6009 SHEET 1 OF 1