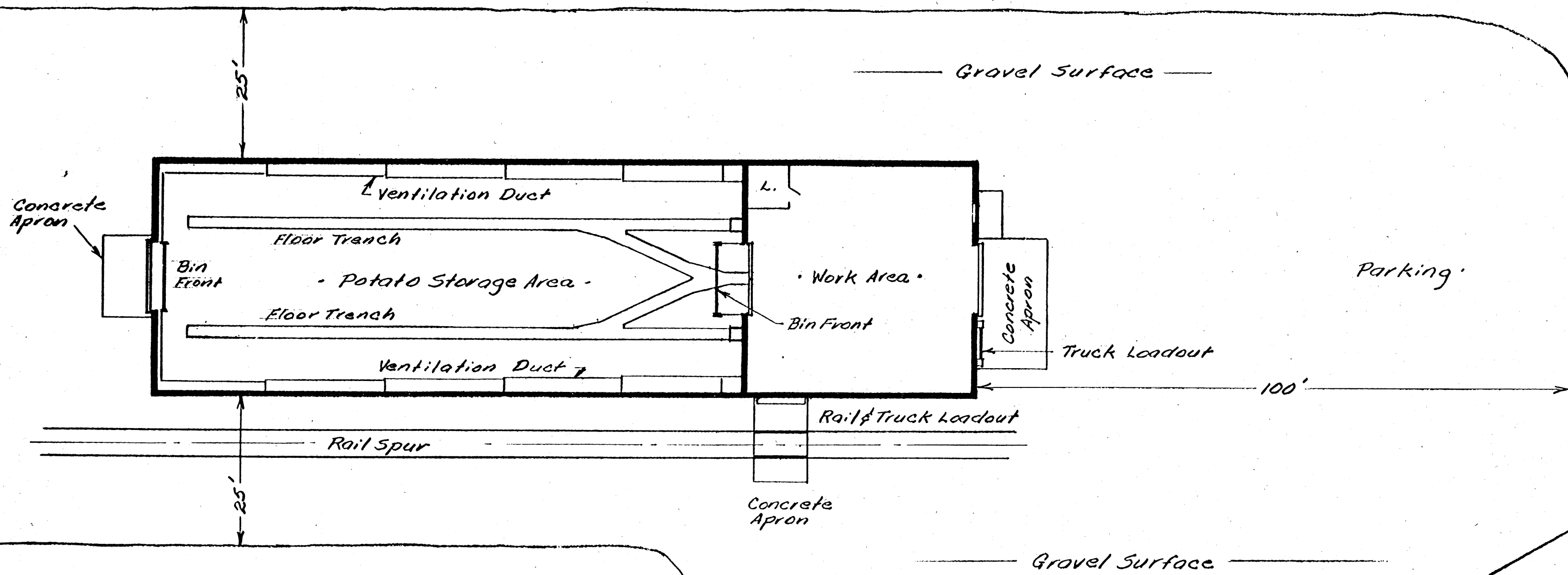


Perspective



Site Plan
Scale: 1/16" = 1'

THE OPERATOR PLANNING TO BUILD A STORAGE SHOULD RETAIN THE SERVICES OF A PROFESSIONAL ENGINEER TO DESIGN THE STORAGE TO MEET THE OPERATOR'S PARTICULAR NEEDS AND TO MEET LOCAL CONDITIONS, AS WELL AS TO SUPERVISE CONSTRUCTION.

NOTE ADDED-SHEET 1
REVISED: 5-2-69

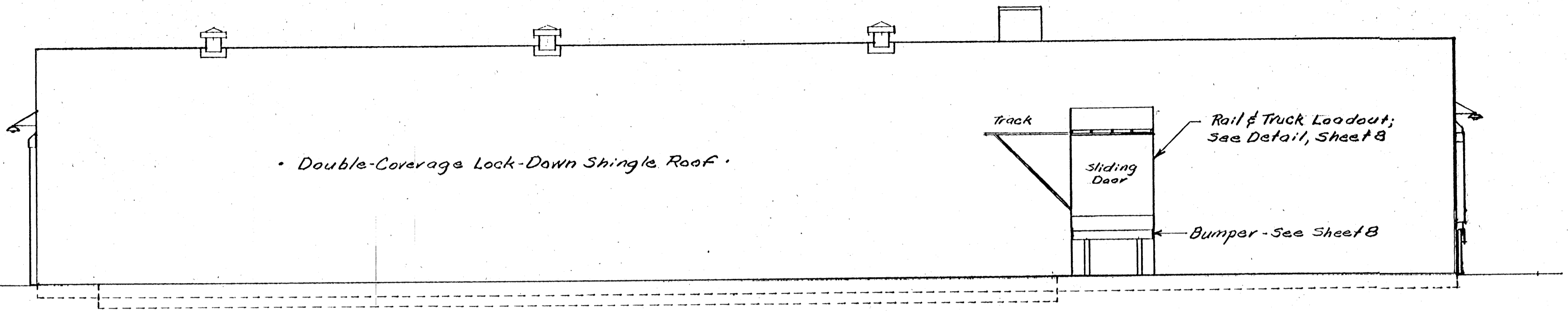
Scale: As Shown

COOPERATIVE EXTENSION WORK IN
AGRICULTURE AND HOME ECONOMICS
STATE OF MISSISSIPPI
MISSISSIPPI STATE UNIVERSITY
AND
UNITED STATES DEPARTMENT OF AGRICULTURE COOPERATING

Potato Storage
20,000 Cwt. Arched Roof

ARS-TFRD EX. 5989 SHEET 1 OF 8

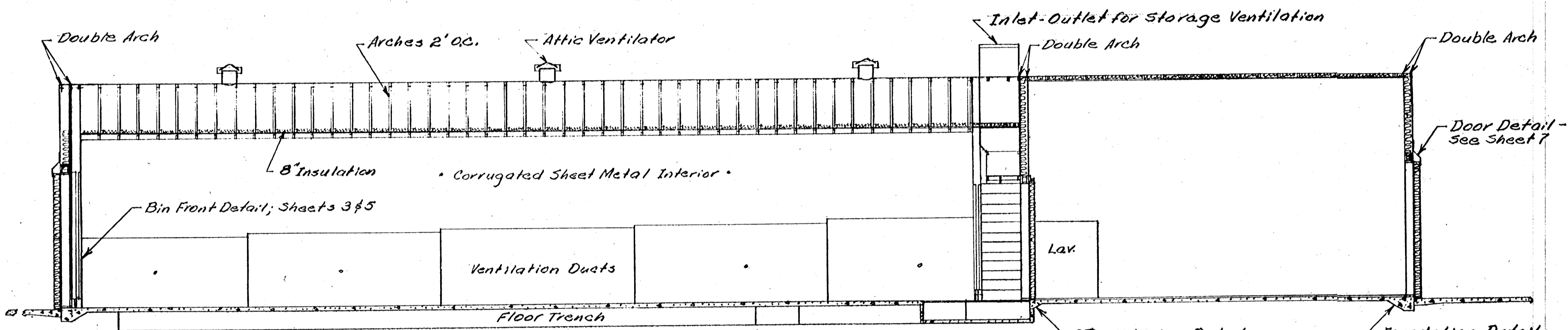
Perspective & Site Plan



• Double-Coverage Lock-Down Shingle Roof •

Track
 Sliding Door
 Rail & Truck Loadout; See Detail, Sheet 8
 Bumper - See Sheet 8

Elevation



Double Arch
 Arches 2' OC.
 Attic Ventilator

8" Insulation
 • Corrugated Sheet Metal Interior •

Bin Front Detail; Sheets 3 & 5

Ventilation Ducts

FLOOR TRENCH

Inlet-Outlet for Storage Ventilation

Double Arch

Double Arch

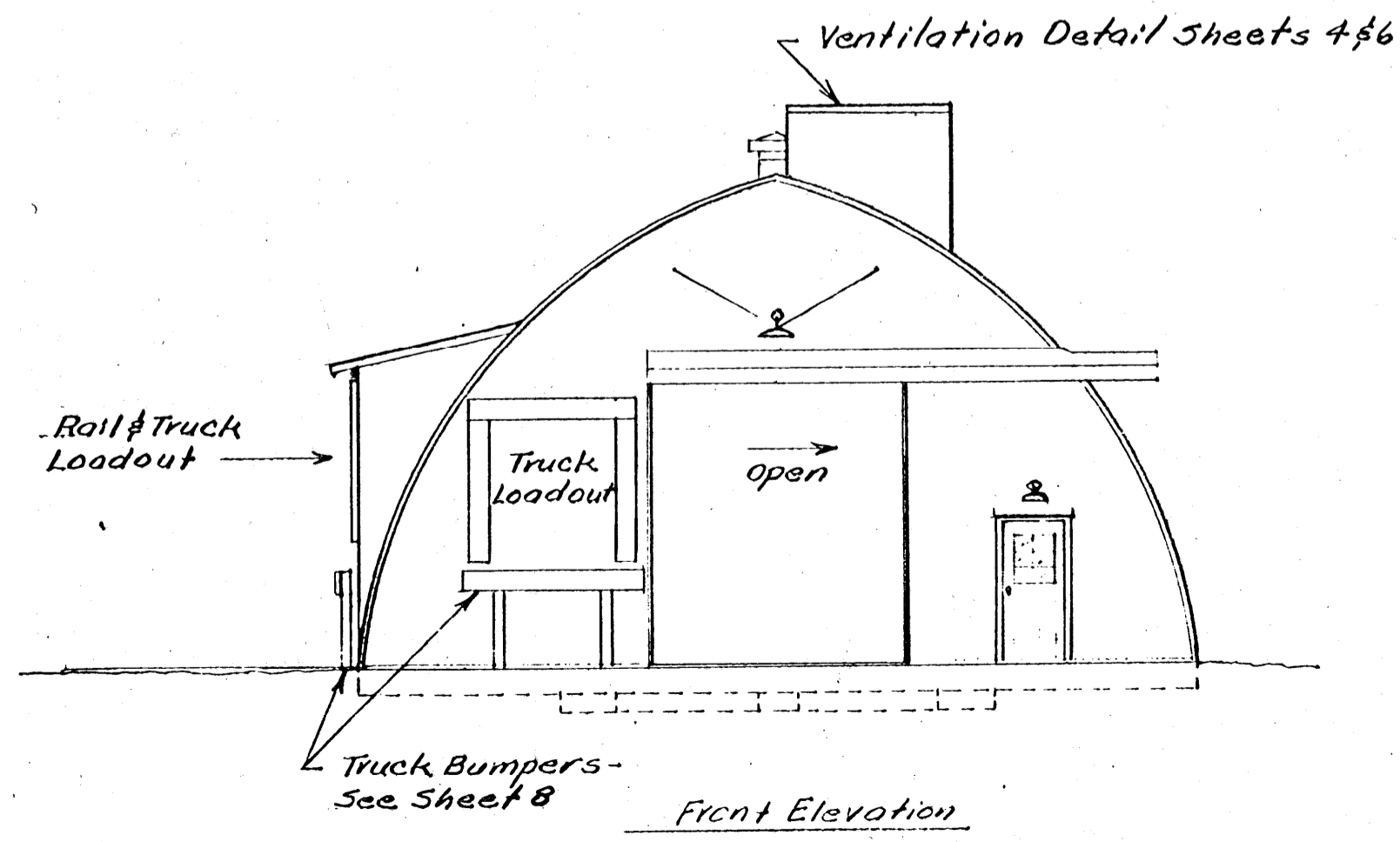
Door Detail - See Sheet 7

Lav.

Foundation Detail - See Sheet 6

Foundation Detail - See Sheet 7

Section A-A'



Ventilation Detail Sheets 4 & 6

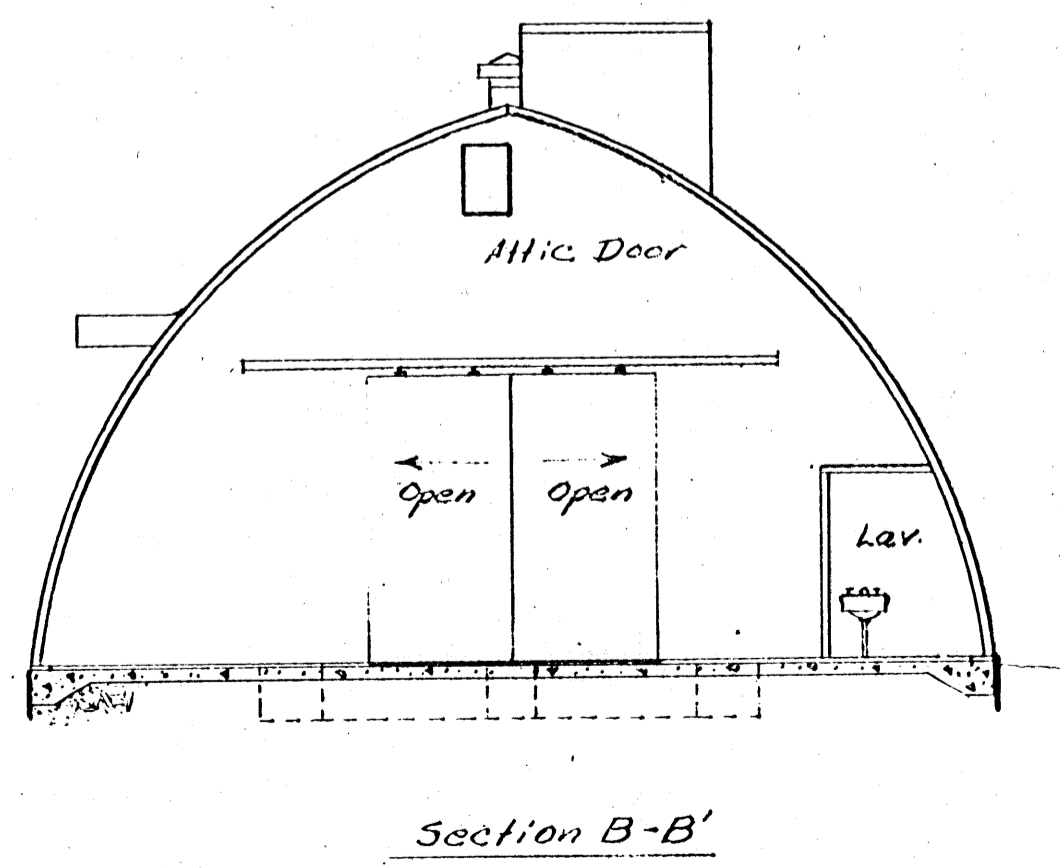
Rail & Truck Loadout

Truck Loadout

open

Truck Bumpers - See Sheet 8

Front Elevation



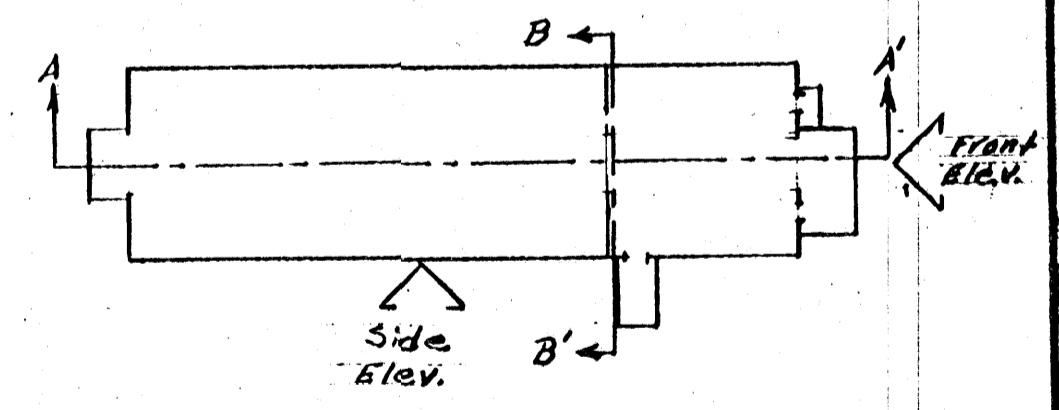
Attic Door

Open

Open

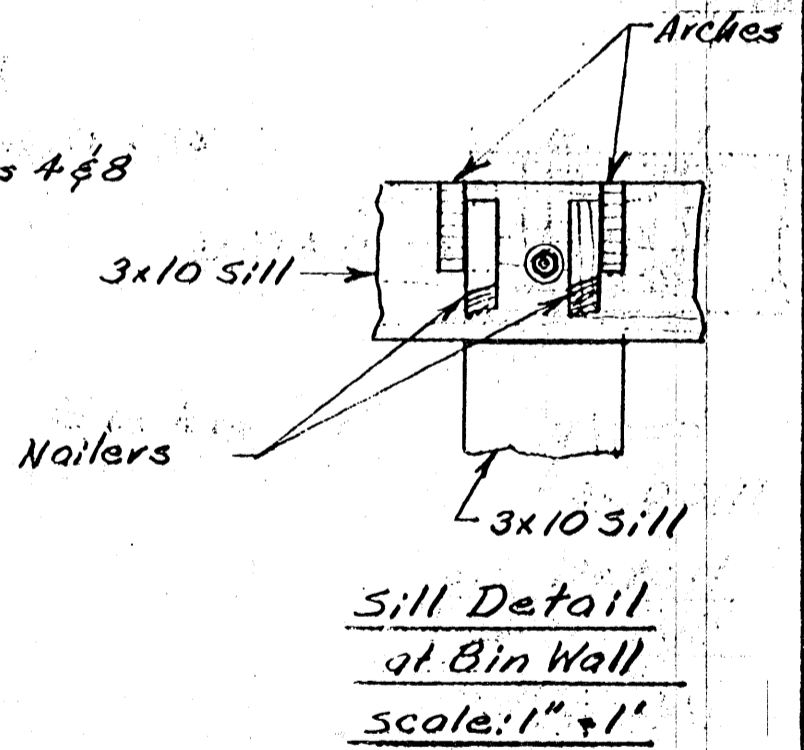
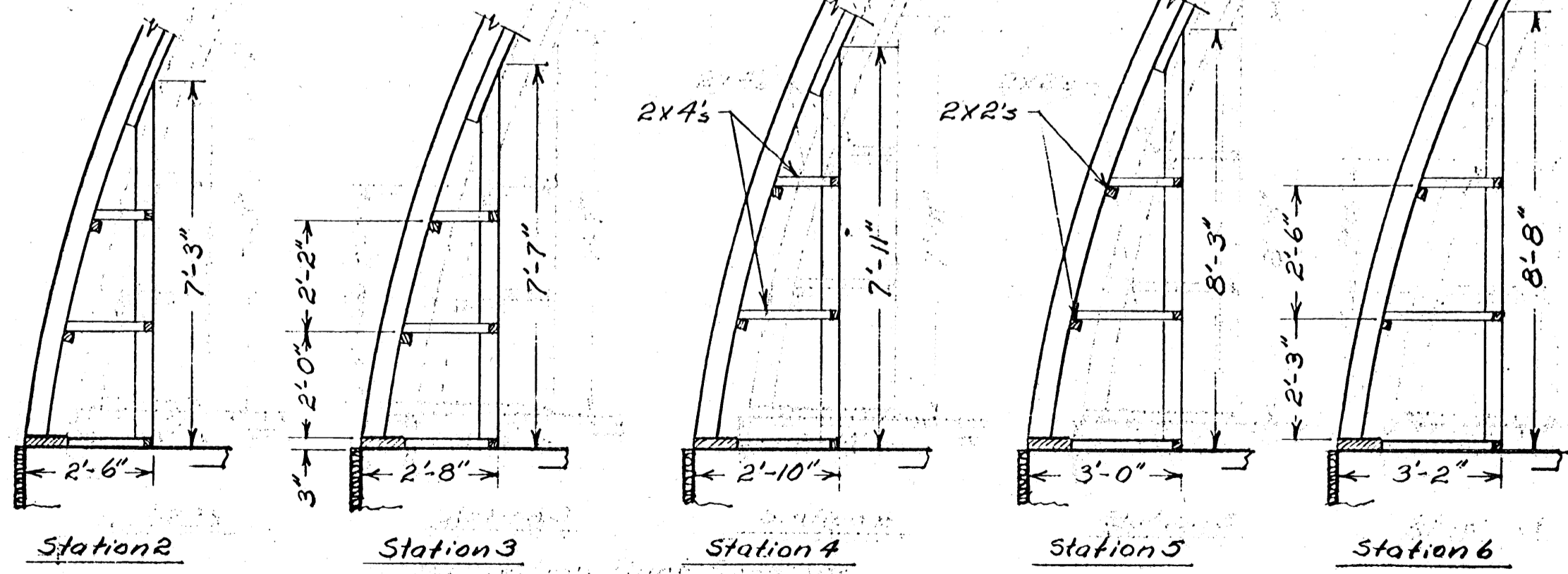
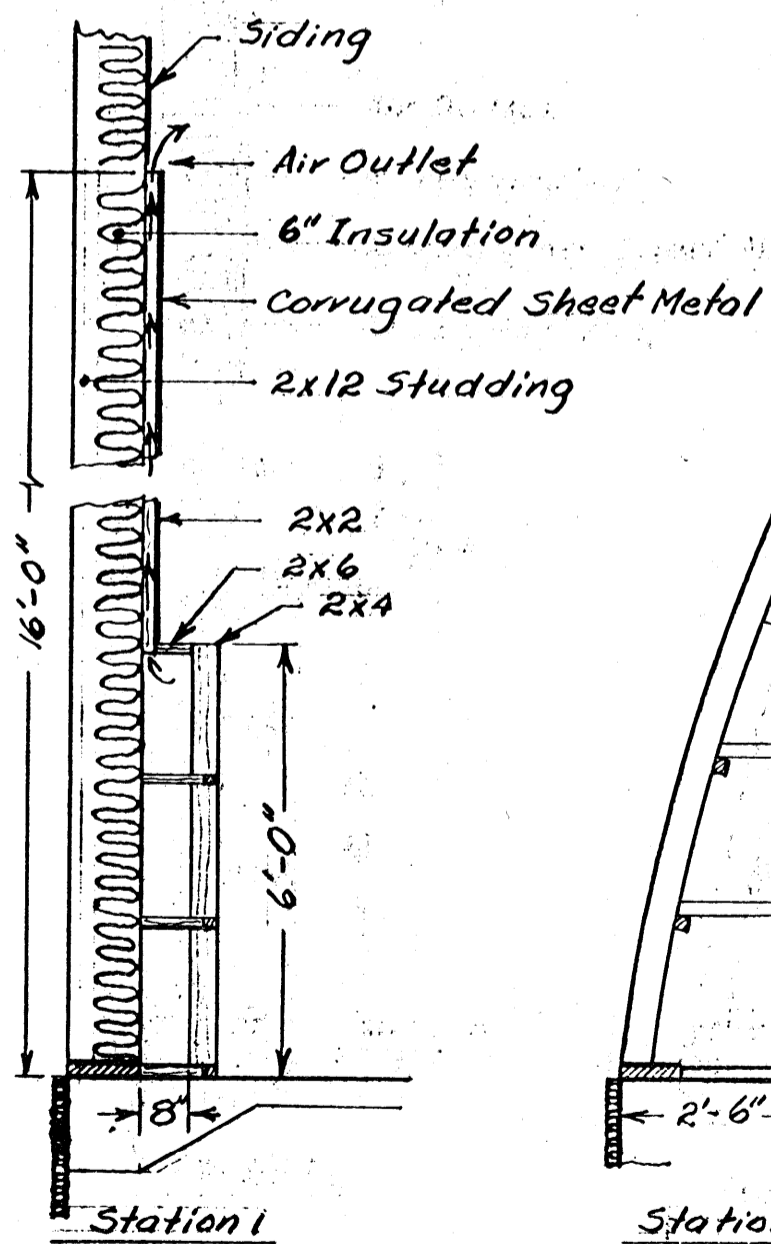
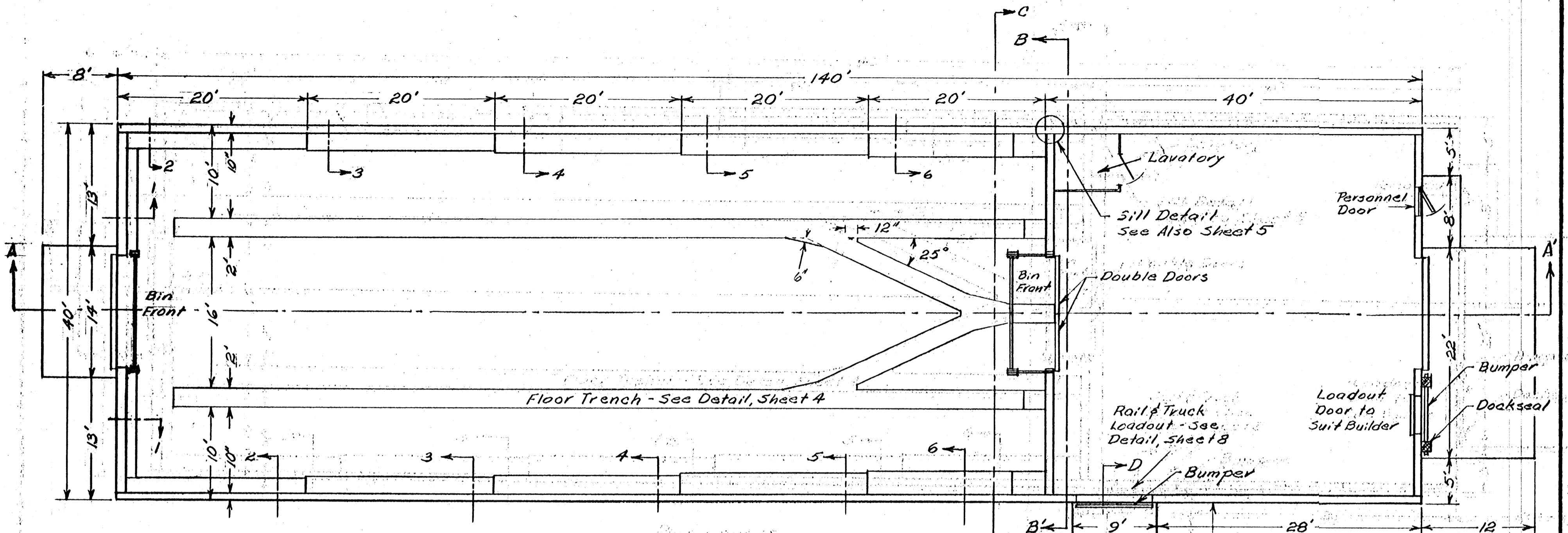
Lav.

Section B-B'



Scale: 3/8" = 1'

COOPERATIVE EXTENSION WORK IN
 AGRICULTURE AND HOME ECONOMICS
 STATE OF MISSISSIPPI
 MISSISSIPPI STATE UNIVERSITY
 AND
 UNITED STATES DEPARTMENT OF AGRICULTURE COOPERATIVE
 Potato Storage
 20,000 Cwt. Arched Roof
 ARS-TFRD EX. 5989 SHEET 2 OF 3
 Elevations & Sections



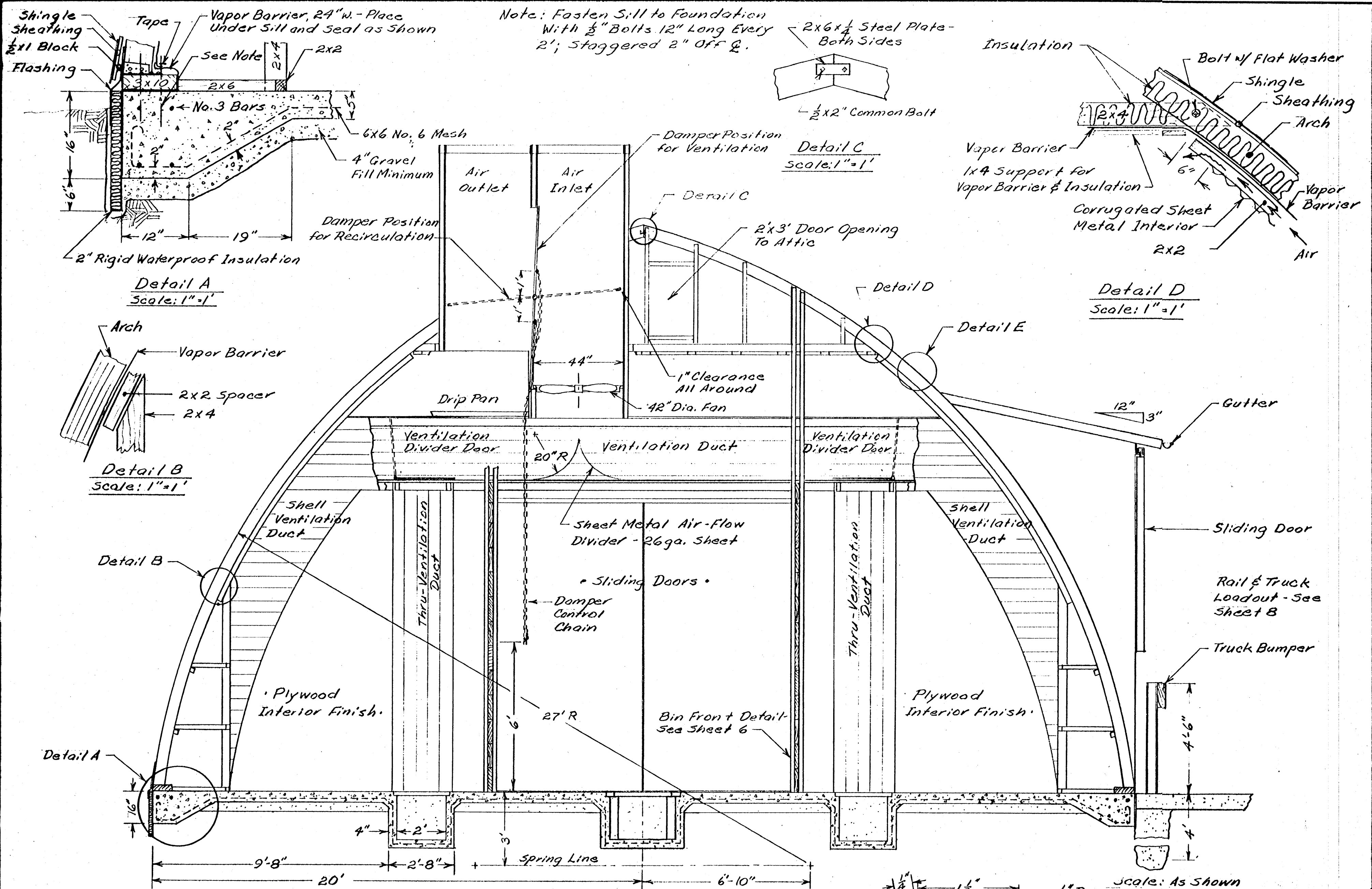
Scale: As Shown

COOPERATIVE EXTENSION WORK IN AGRICULTURE AND HOME ECONOMICS
STATE OF MISSISSIPPI
MISSISSIPPI STATE UNIVERSITY,
AND
UNITED STATES DEPARTMENT OF AGRICULTURE COOPERATIVE

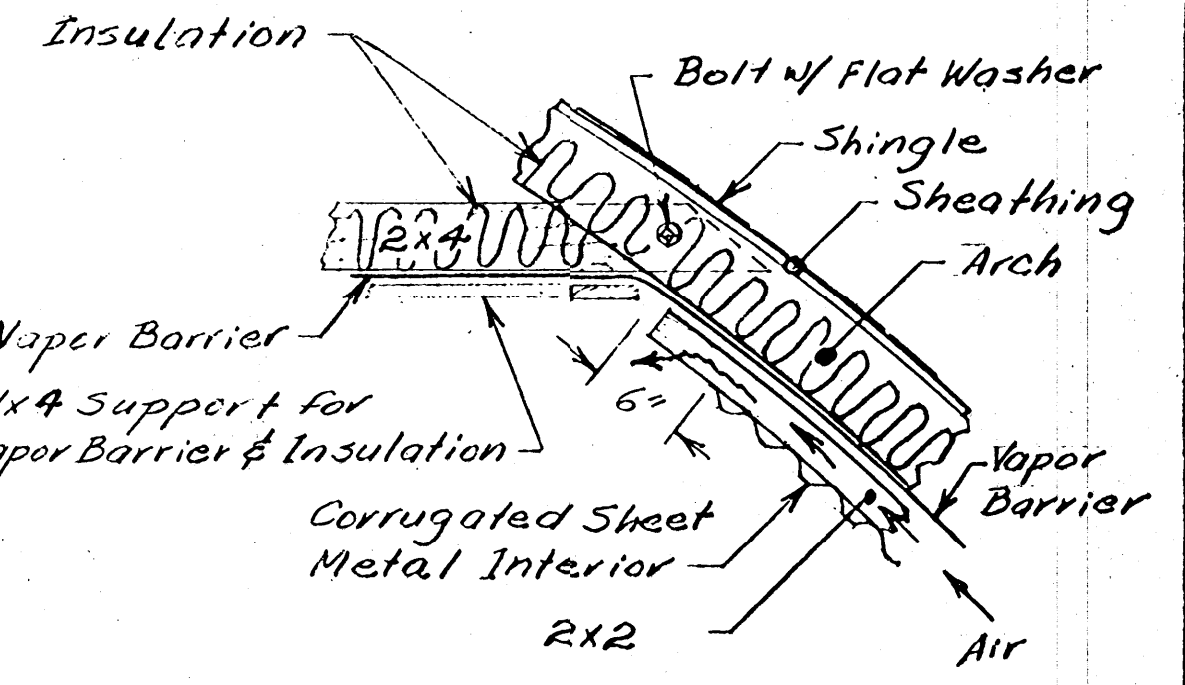
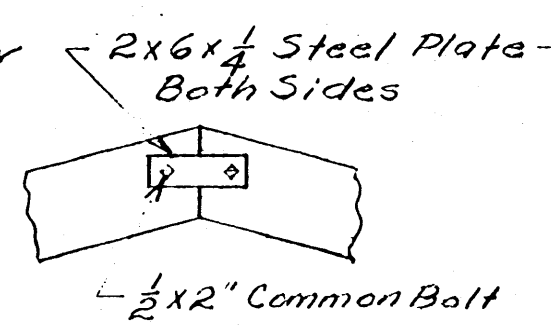
Potato Storage
20,000 Cwt. Arched Roof

ARS-TRD EX. 5989 SHEET 3 OF 6

Layout & Duct Details



Note: Fasten Sill to Foundation With $\frac{3}{8}$ " Bolts 12" Long Every 2'; Staggered 2" Off ϕ .



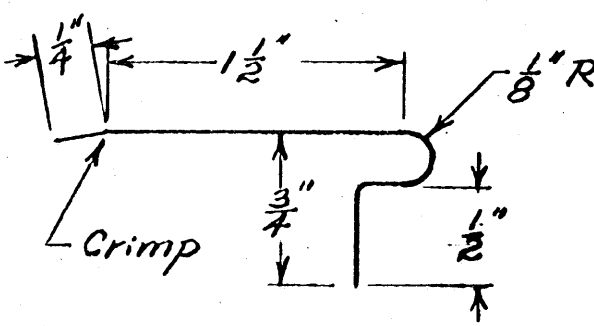
Detail A
Scale: 1"=1'

Detail C
Scale: 1"=1'

Detail D
Scale: 1"=1'

Detail B
Scale: 1"=1'

Section C-C'
Scale: $\frac{3}{8}$ "=1'



Detail E
Scale: Full
Roof Edge Flashing

Caution: Many Areas Cannot Use "Floating" Slab Foundation Shown.

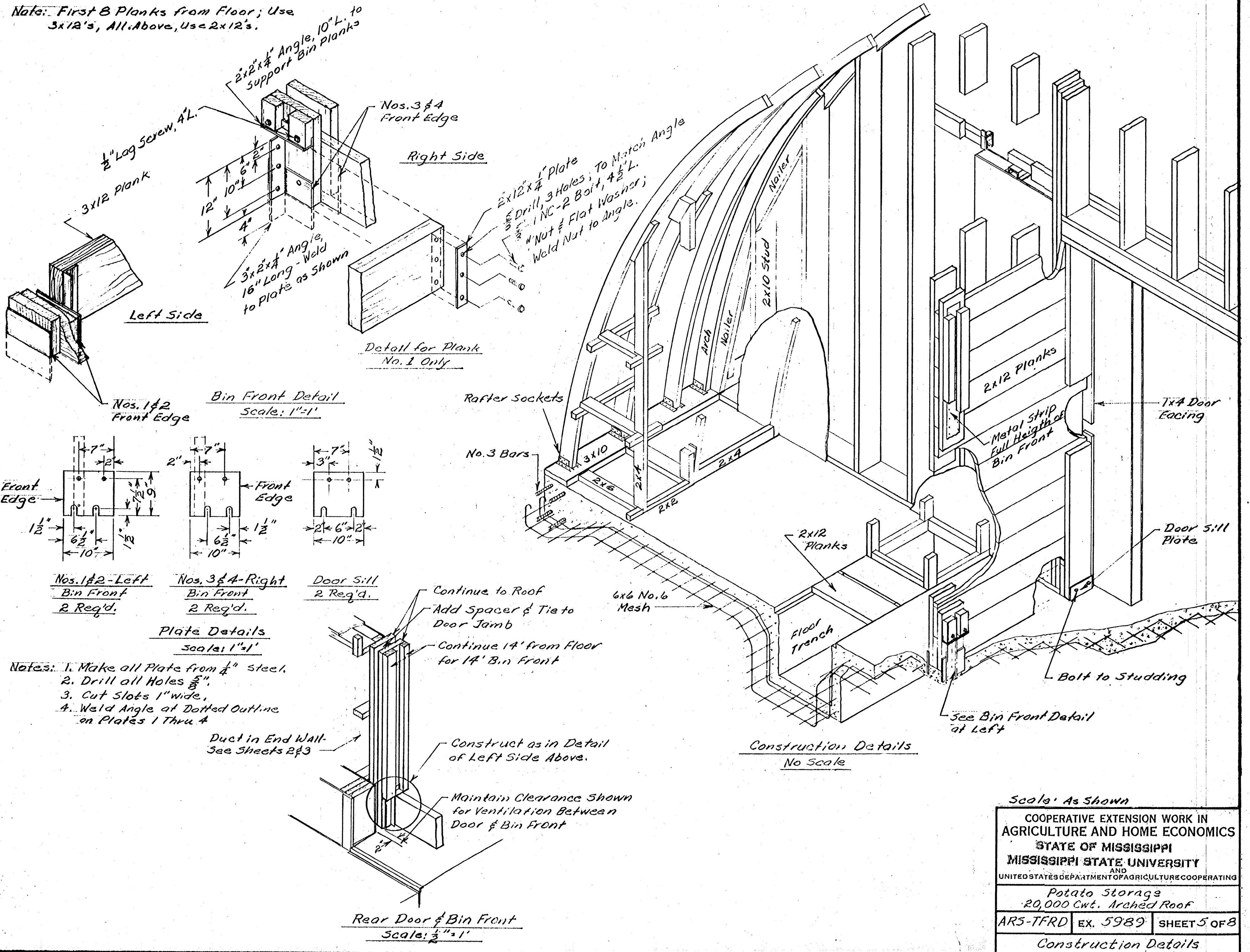
COOPERATIVE EXTENSION WORK IN AGRICULTURE AND HOME ECONOMICS
STATE OF MISSISSIPPI
MISSISSIPPI STATE UNIVERSITY
UNITED STATES DEPARTMENT OF AGRICULTURE COOPERATING

Potato Storage
20,000 Cwt. Arched Roof

ARS-TFRD EX. 5989 SHEET 4 OF 8

Cross Section & Details

Note: First 8 Planks from Floor; Use 3x12's, All Above, Use 2x12's.



- Notes: 1. Make all Plate from $\frac{1}{4}$ " Steel.
 2. Drill all Holes $\frac{5}{8}$ ".
 3. Cut Slots 1" wide.
 4. Weld Angle at Dotted Outline on Plates 1 Thru 4

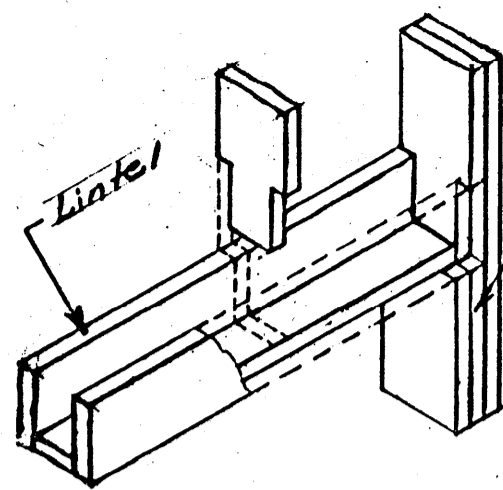
Scale: As Shown

COOPERATIVE EXTENSION WORK IN AGRICULTURE AND HOME ECONOMICS
 STATE OF MISSISSIPPI
 MISSISSIPPI STATE UNIVERSITY
 AND
 UNITED STATES DEPARTMENT OF AGRICULTURE COOPERATING

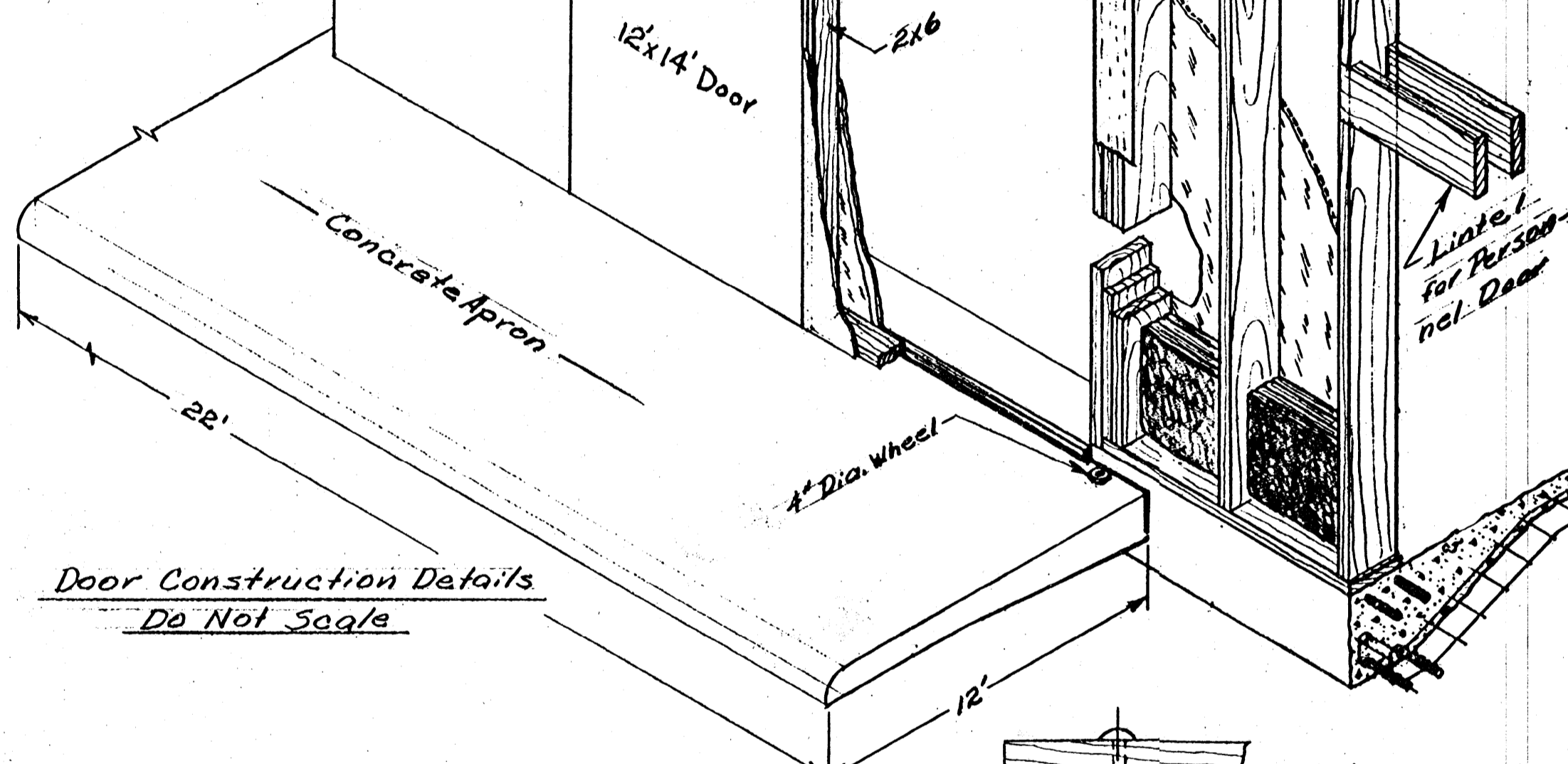
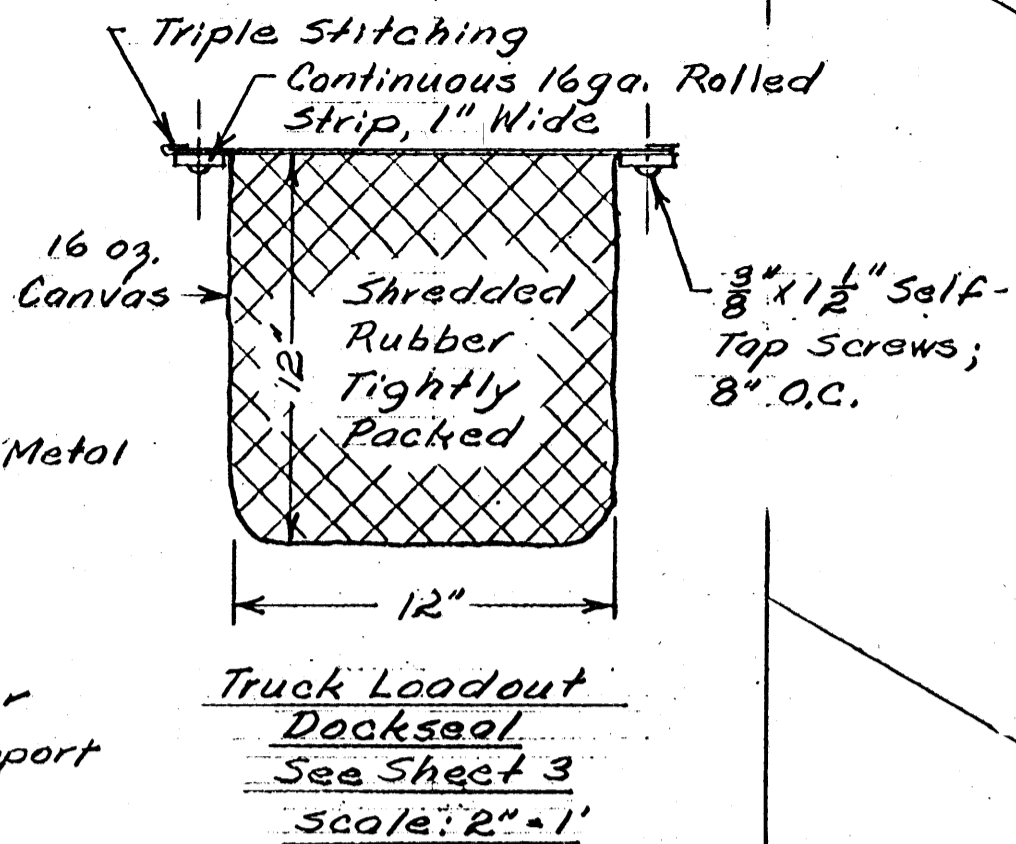
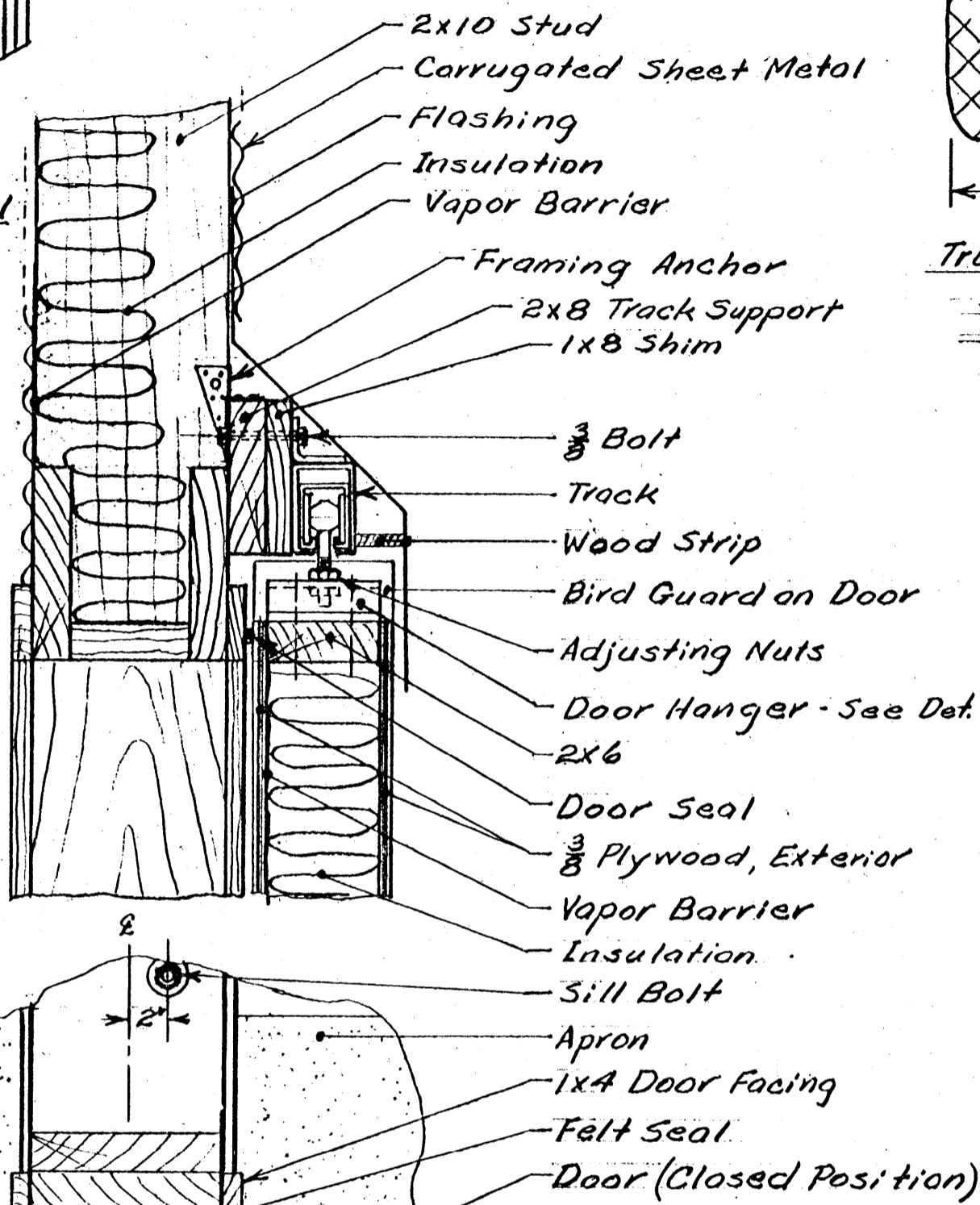
Potato Storage
 20,000 Cwt. Arched Roof

ARS-TFRD | EX. 5989 | SHEET 5 OF 8

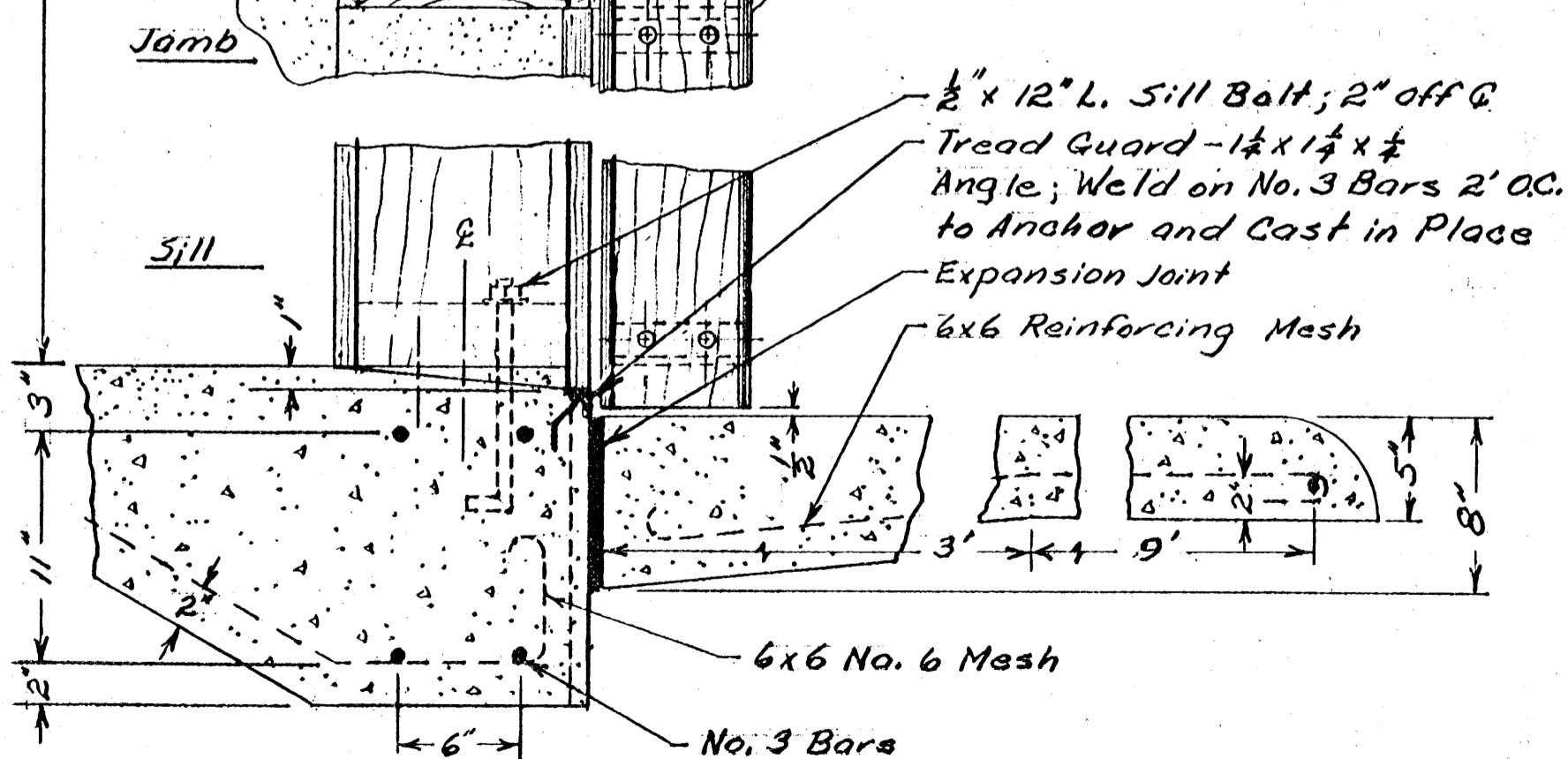
Construction Details



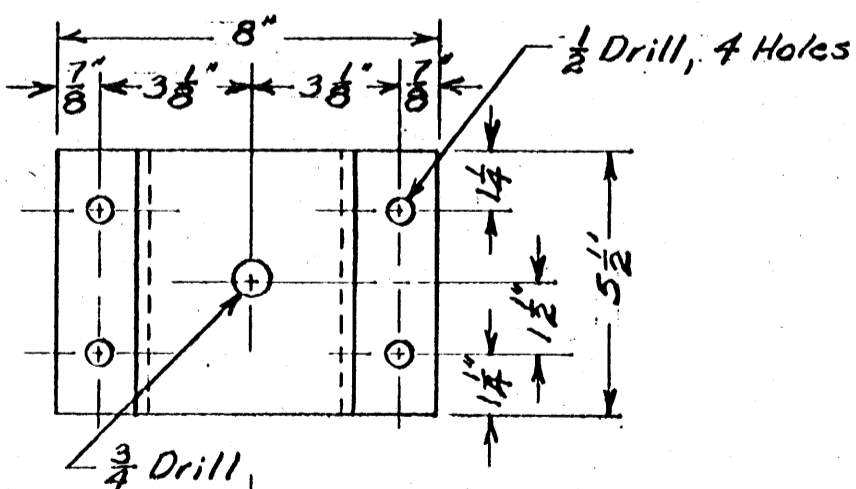
Jamb & Lintel Detail
No Scale



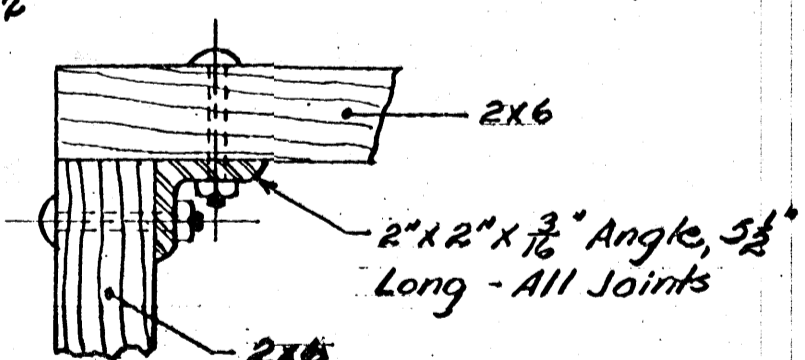
Door Construction Details
Do Not Scale



Door Details
Scale: 1/2" = 1'



Door Hanger Detail
Scale: 3" = 1'



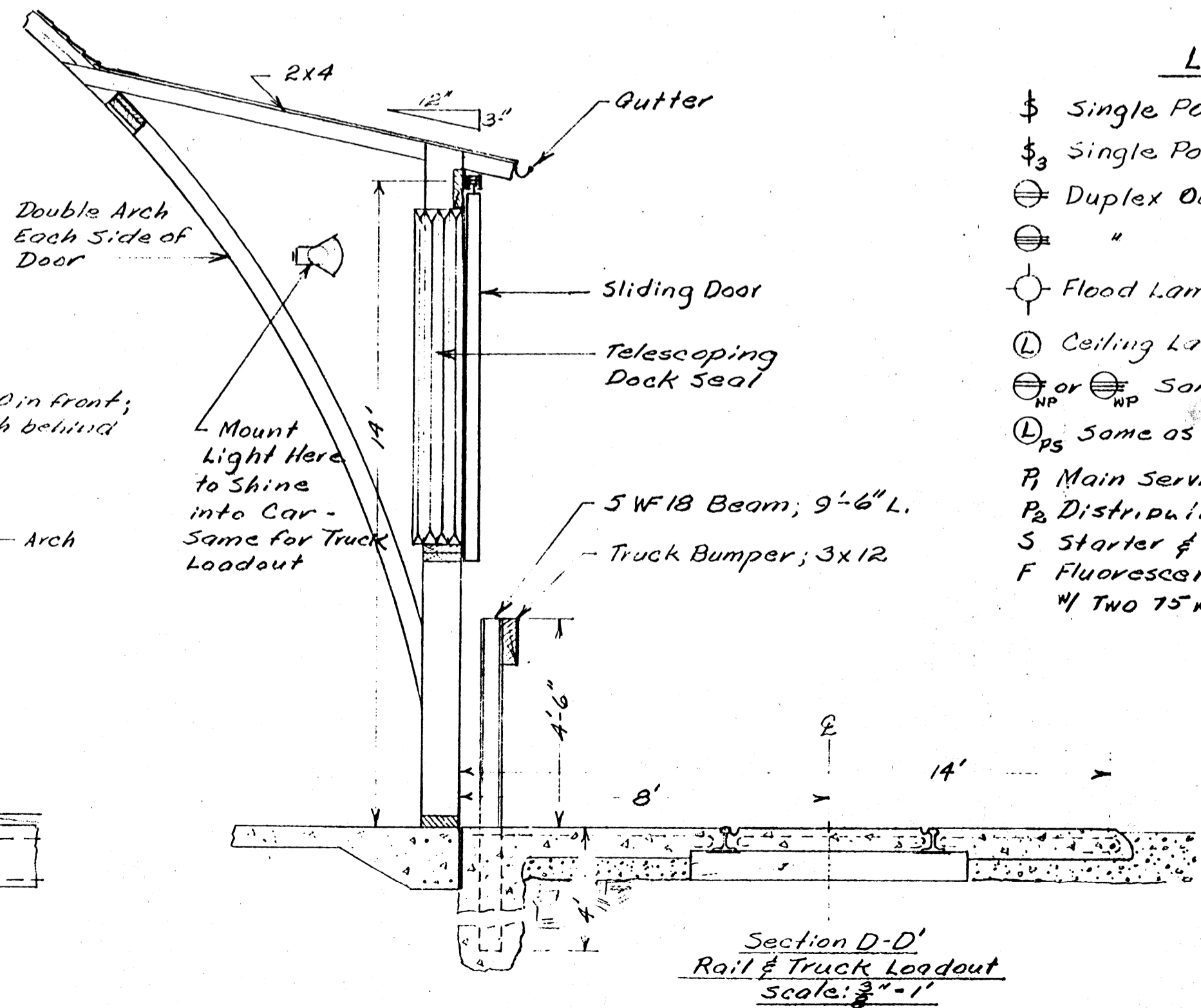
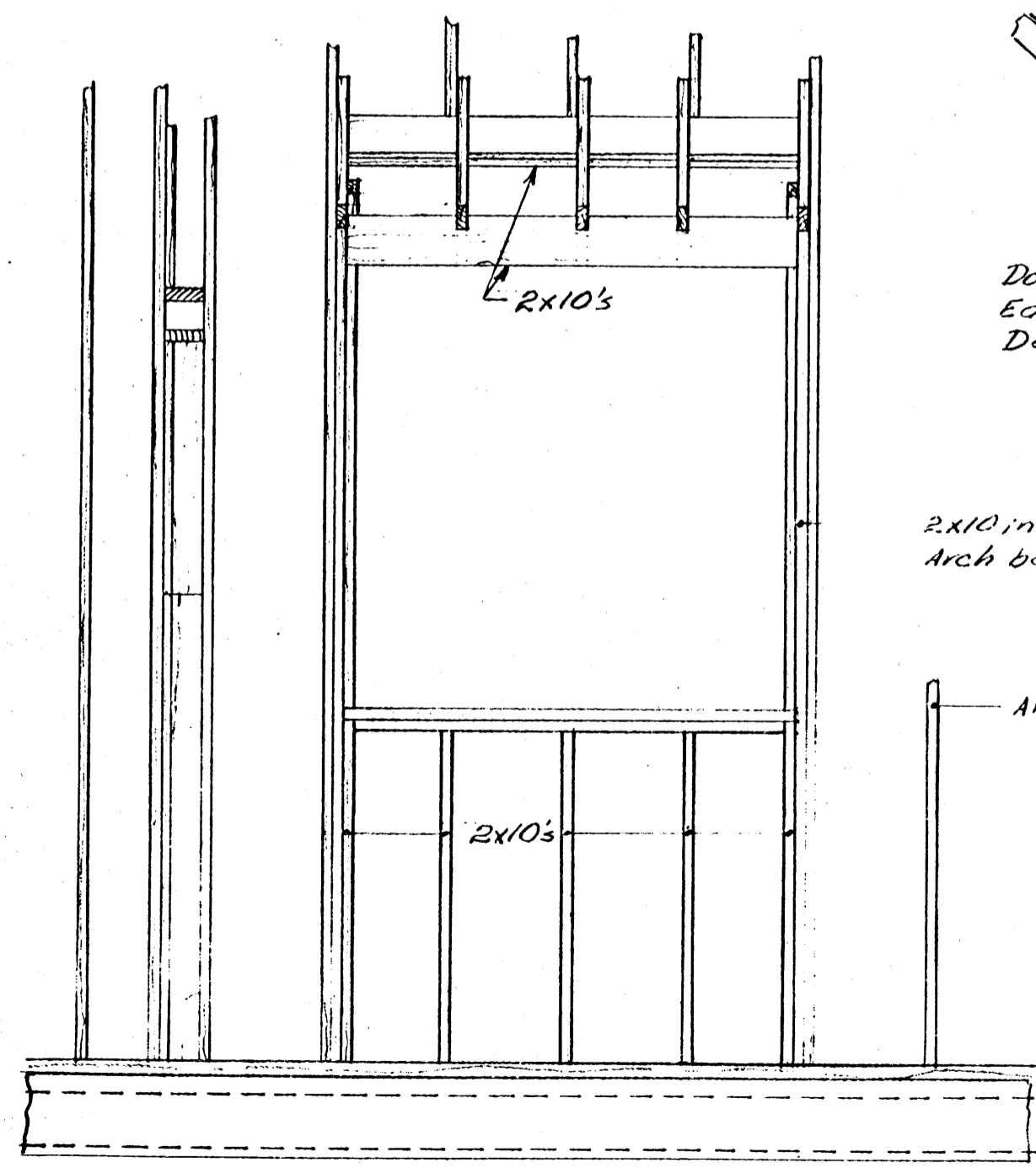
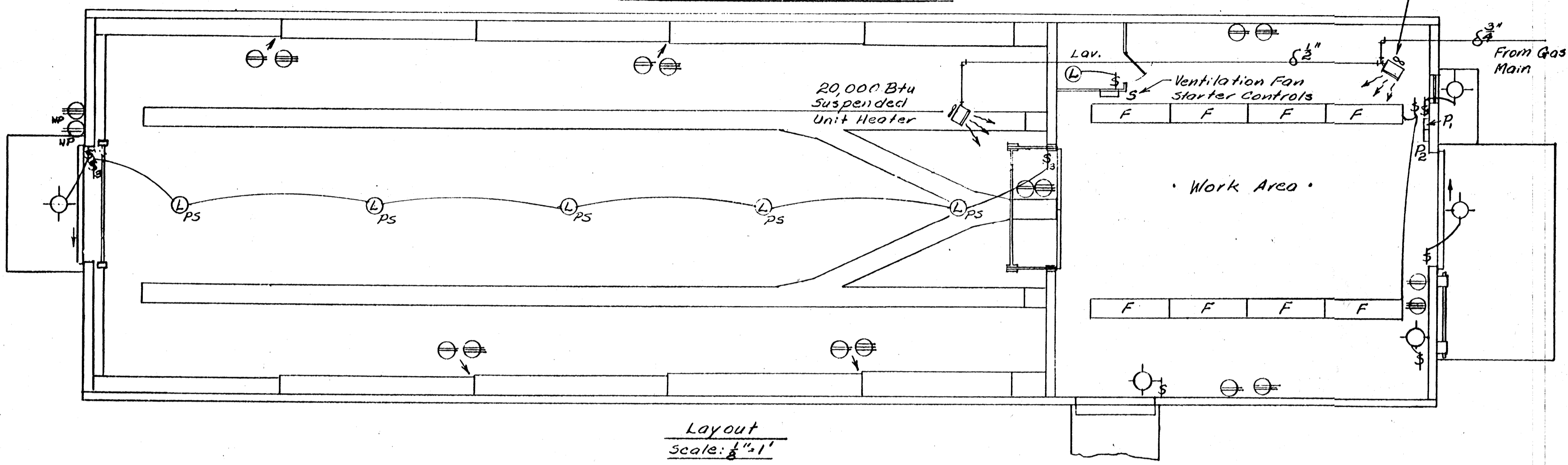
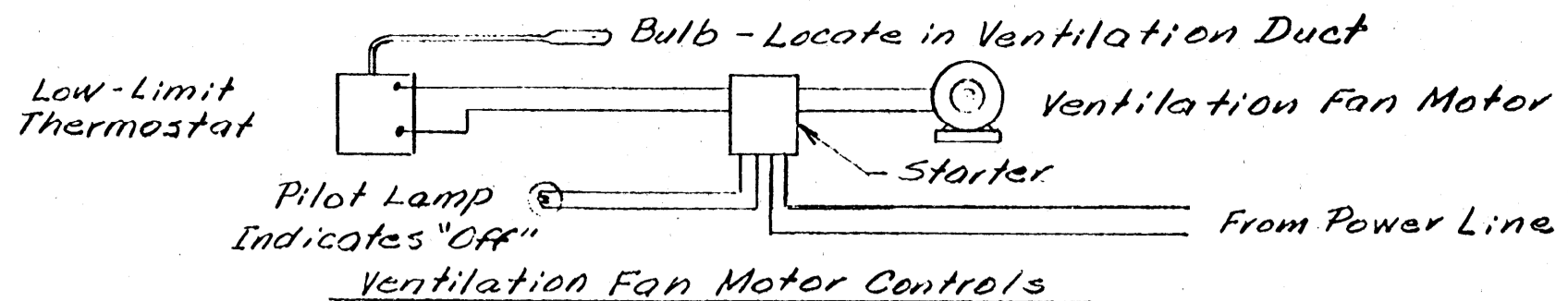
Door Corner Detail
Scale: 3" = 1'

Scale: As Shown

COOPERATIVE EXTENSION WORK IN
 AGRICULTURE AND HOME ECONOMICS
 STATE OF MISSISSIPPI
 MISSISSIPPI STATE UNIVERSITY
 AND
 UNITED STATES DEPARTMENT OF AGRICULTURE COOPERATING

Potato Storage
 20,000 Cwt. Arched Roof
 ARS-TFRD EX. 5989 SHEET 7 OF 8

Sliding Door Details



- Legend**
- ⌘ Single Pole Switch
 - ⌘₃ Single Pole Switch, 3-way
 - ⊕ Duplex Outlet, 110 v., 1 φ, Grounded
 - ⊕ " " , 208 v., 3 φ or 230 v., 1 φ, Grounded
 - ⊙ Flood Lamp, 1000 W., Waterproof
 - ⊙ Ceiling Lamp, 100 W., Vaporproof
 - ⊕_{WP} or ⊕_{WP} Same as above Except Weatherproof
 - ⊙_{PS} Same as above Except w/ Pullswitch
 - P₁ Main Service Panel
 - P₂ Distribution Panel
 - S Starter & Motor Controls
 - F Fluorescent Fixtures, 8' nominal Length
 - w/ Two 75 w. Lamps; 16' Mounting Height

Scale: As Shown

COOPERATIVE EXTENSION WORK IN AGRICULTURE AND HOME ECONOMICS

STATE OF MISSISSIPPI

MISSISSIPPI STATE UNIVERSITY

AND UNITED STATES DEPARTMENT OF AGRICULTURE COOPERATING

Potato Storage 20,000 Cwt. Arched Roof

ARS-TFRD	EX. 5989	SHEET 8 OF 8
----------	----------	--------------

Electrical, Plumbing & Misc.