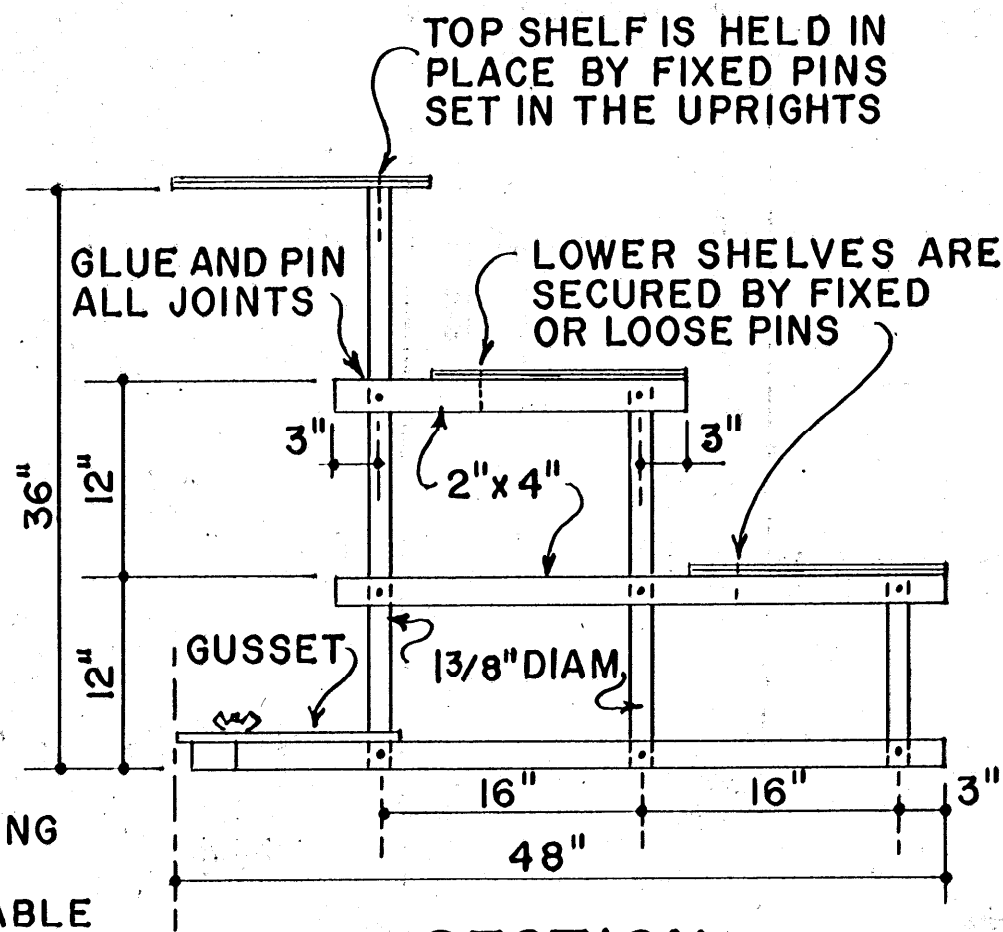


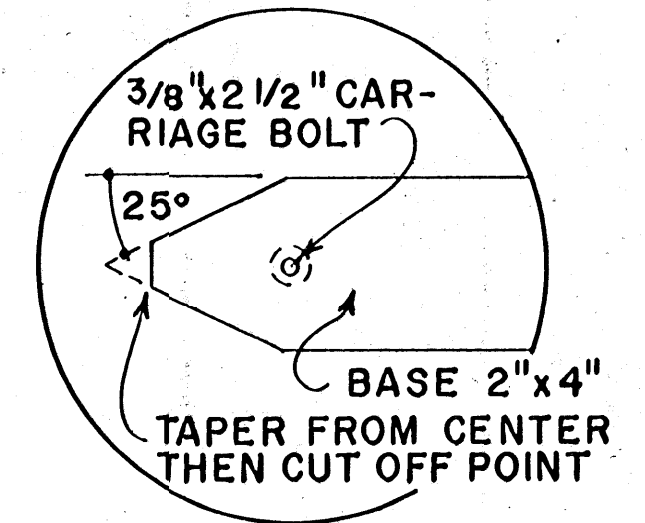
**TOP VIEW**  
SHELVES CUT AWAY

CARE IN LAYING OUT, CUTTING AND ASSEMBLY WILL MAKE THE FRAMES INTERCHANGEABLE

**TYPE I**



**SECTION**  
AT FRAME

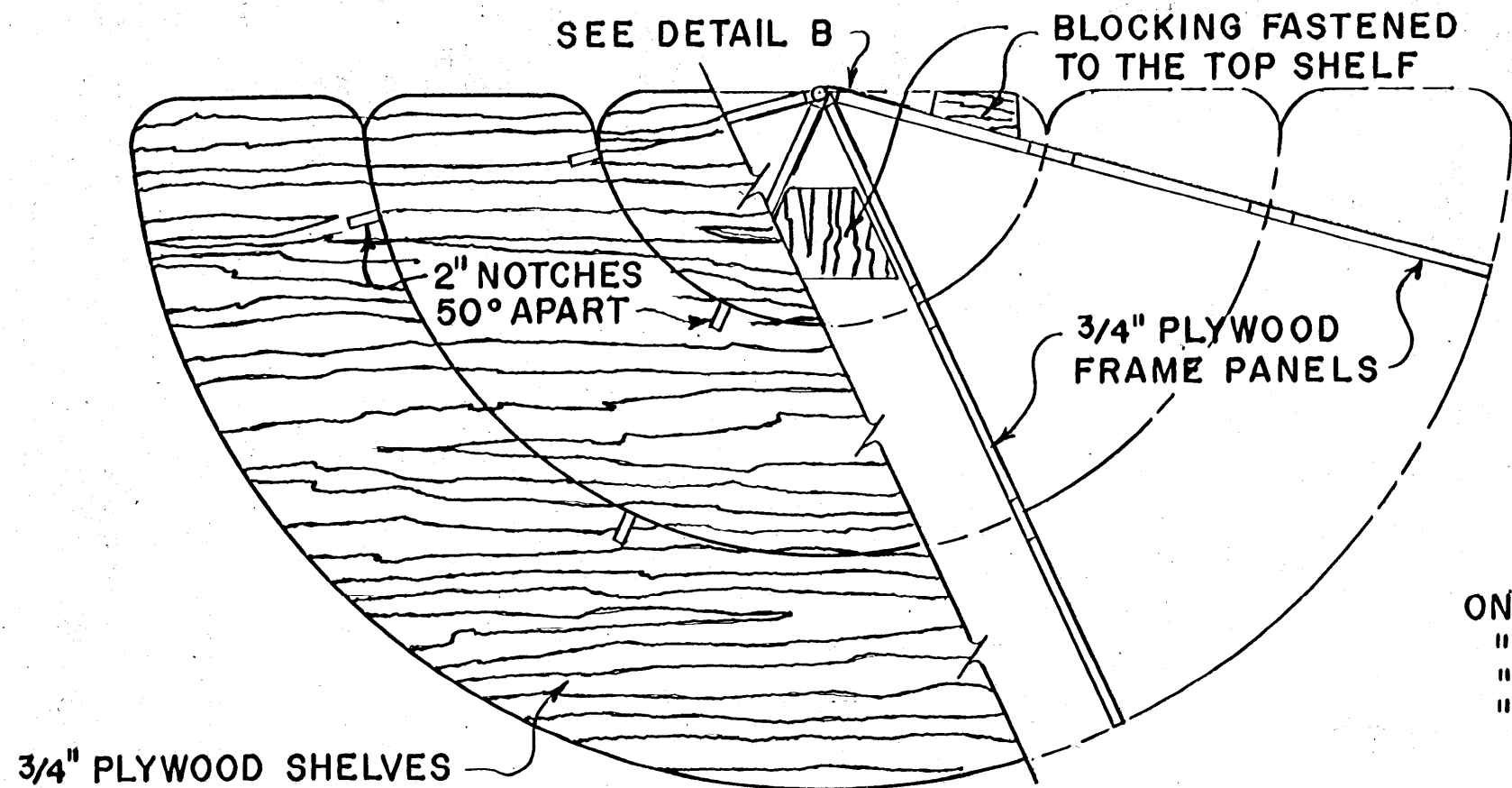


**DETAIL A**  
SCALE: 3" = 1'-0"

**MATERIALS**

ITEM	SIZE	NO.
PLYWOOD	1/2"x4'-0"x8'-0"	ONE
WOOD	2"x4"x4'-0"	FOUR
"	2"x4"x5'-0"	FOUR
"	1"x8"x8'-0"	ONE
"	1 3/8"D.x6'-0"	FOUR

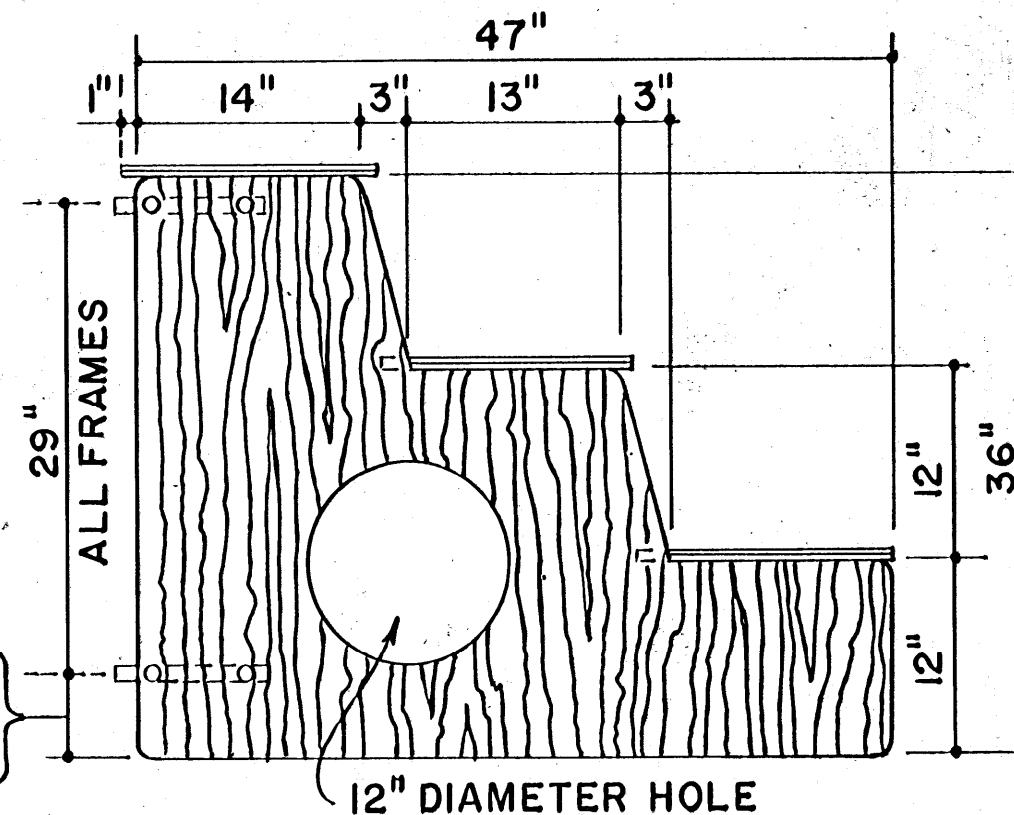
(FASTENINGS NOT INCLUDED)



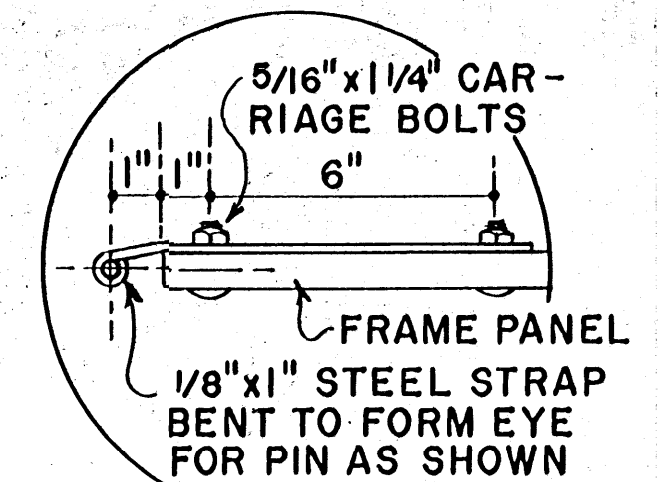
**TOP VIEW**  
SHELVES CUT AWAY

ONE FRAME 5 1/2"  
" " 4 3/8"  
" " 3 1/4"  
" " 2 1/8"

**TYPE II**



**SECTION**  
AT FRAME PANEL



**DETAIL B**  
SCALE: 3" = 1'-0"

**MATERIALS**

ITEM	SIZE	NO.
PLYW'D	3/4"x4'-0"x8'-0"	TWO
	OR	
PLYW'D	3/4"x4'-0"x8'-0"	ONE
"	1/2"x4'-0"x8'-0"	ONE
WOOD	1"x8"x10'-0"	ONE

(FASTENINGS NOT INCLUDED)

USE EXTERIOR GRADE PLYWOOD  
SAND ALL EDGES AND SEAL WITH A WATERPROOF PENETRATING SEALER  
WATERPROOF GLUE IS REQUIRED

HEIGHT OF TYPE I MAY BE AS DESIRED, BUT HEIGHT OF TYPE II IS PLANNED TO PERMIT CUTTING THE FOUR FRAME PANELS FROM ONE SHEET OF PLYWOOD

SHELVES FOR TYPE II MAY BE OF 1/2" PLYWOOD IF 1"x8" STIFFENERS ARE FASTENED UNDER THE BOTTOM SHELF, AS SHOWN FOR TYPE I

SCALE: 1" = 1'-0", EXCEPT AS NOTED

COOPERATIVE EXTENSION WORK IN AGRICULTURE AND HOME ECONOMICS  
STATE OF MISSISSIPPI  
MISSISSIPPI STATE UNIVERSITY  
AND  
UNITED STATES DEPARTMENT OF AGRICULTURE COOPERATING

**TWO DISPLAY STANDS FOR PRODUCE**

USDA '64 EX. 5982 SHEET 1 OF 1