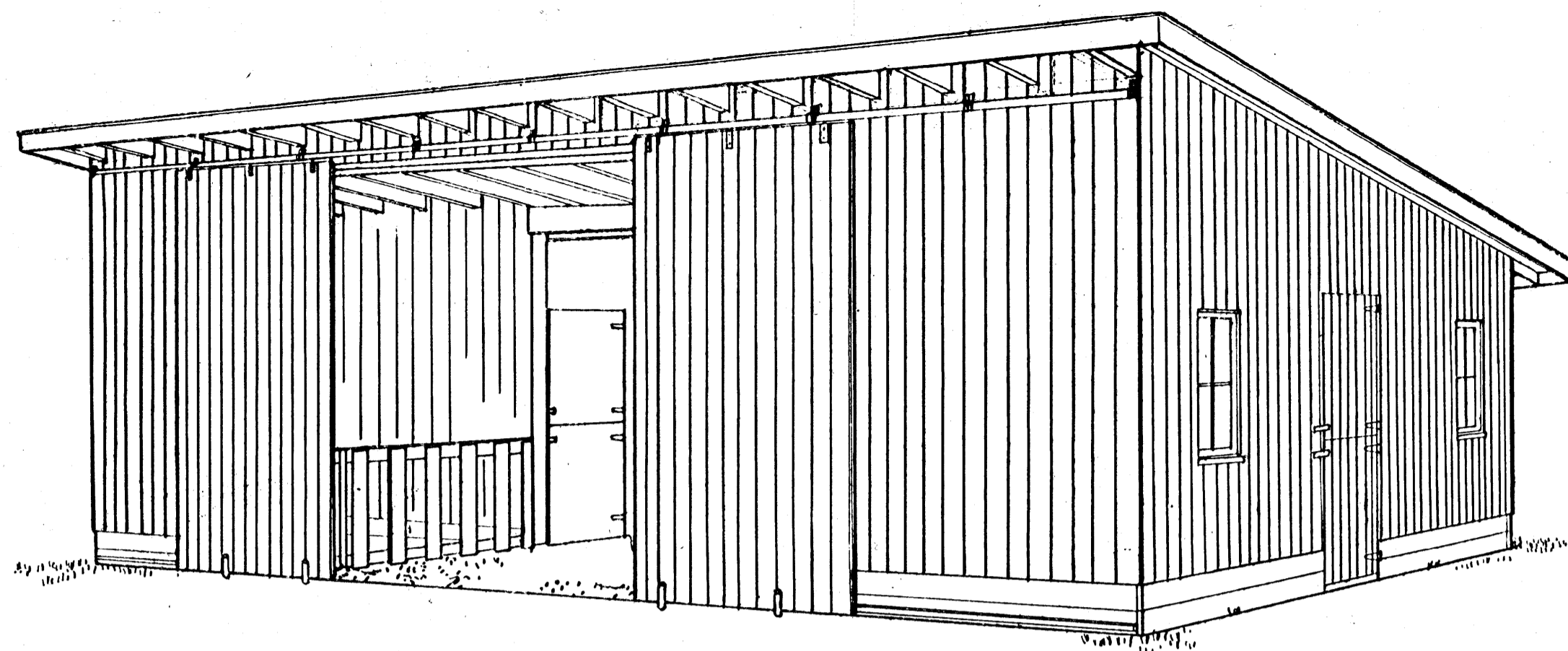


NOTE: THIS BUILDING IS DESIGNED FOR USE IN AREAS WHERE THE SNOW LOAD DOES NOT EXCEED 35 LBS. PER SQUARE FOOT AND WINDS ARE NOT ABOVE 76 MILES PER HOUR.

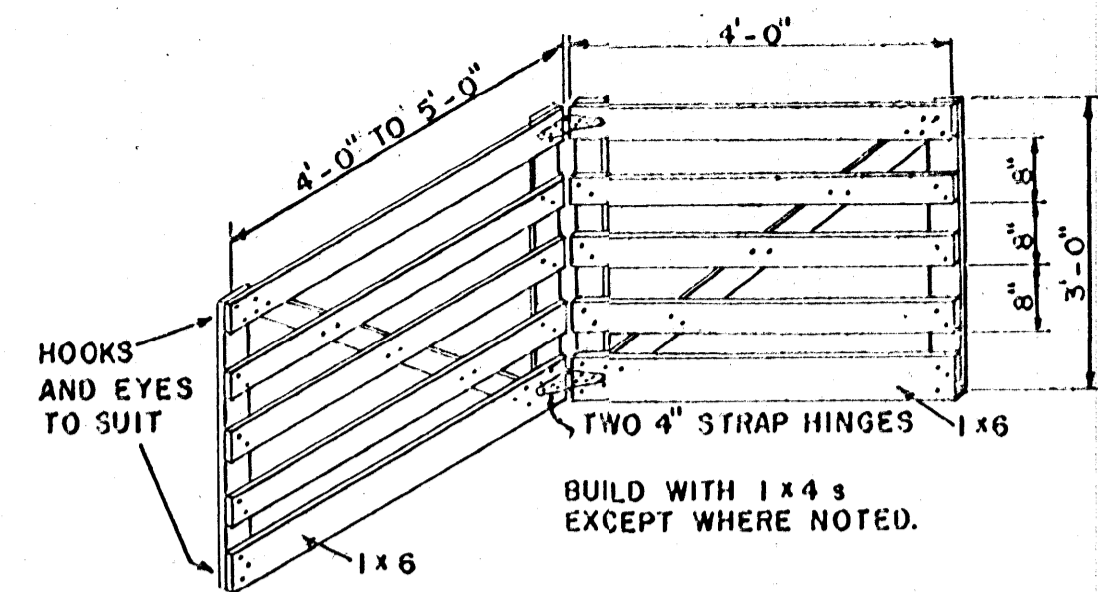
COOPERATIVE EXTENSION SERVICE
AGRICULTURE AND HOME ECONOMICS
MISSISSIPPI STATE UNIVERSITY
AND
UNITED STATES DEPARTMENT OF AGRICULTURE COOPERATING

SHEEP AND LAMBING SHED

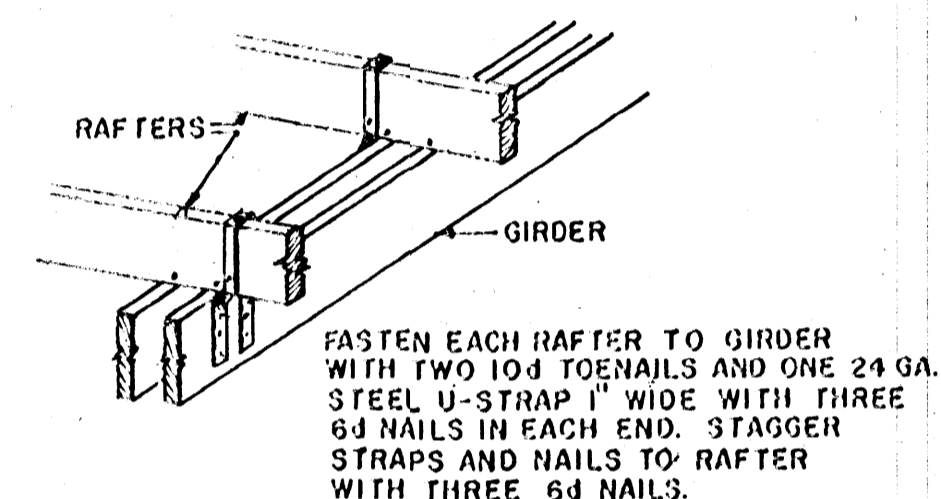
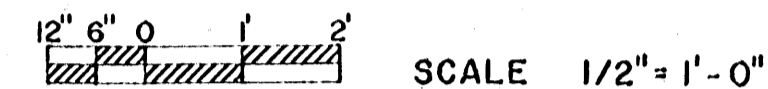
USDA '61	5919	SHEET 1 OF 2
REVISED '84		



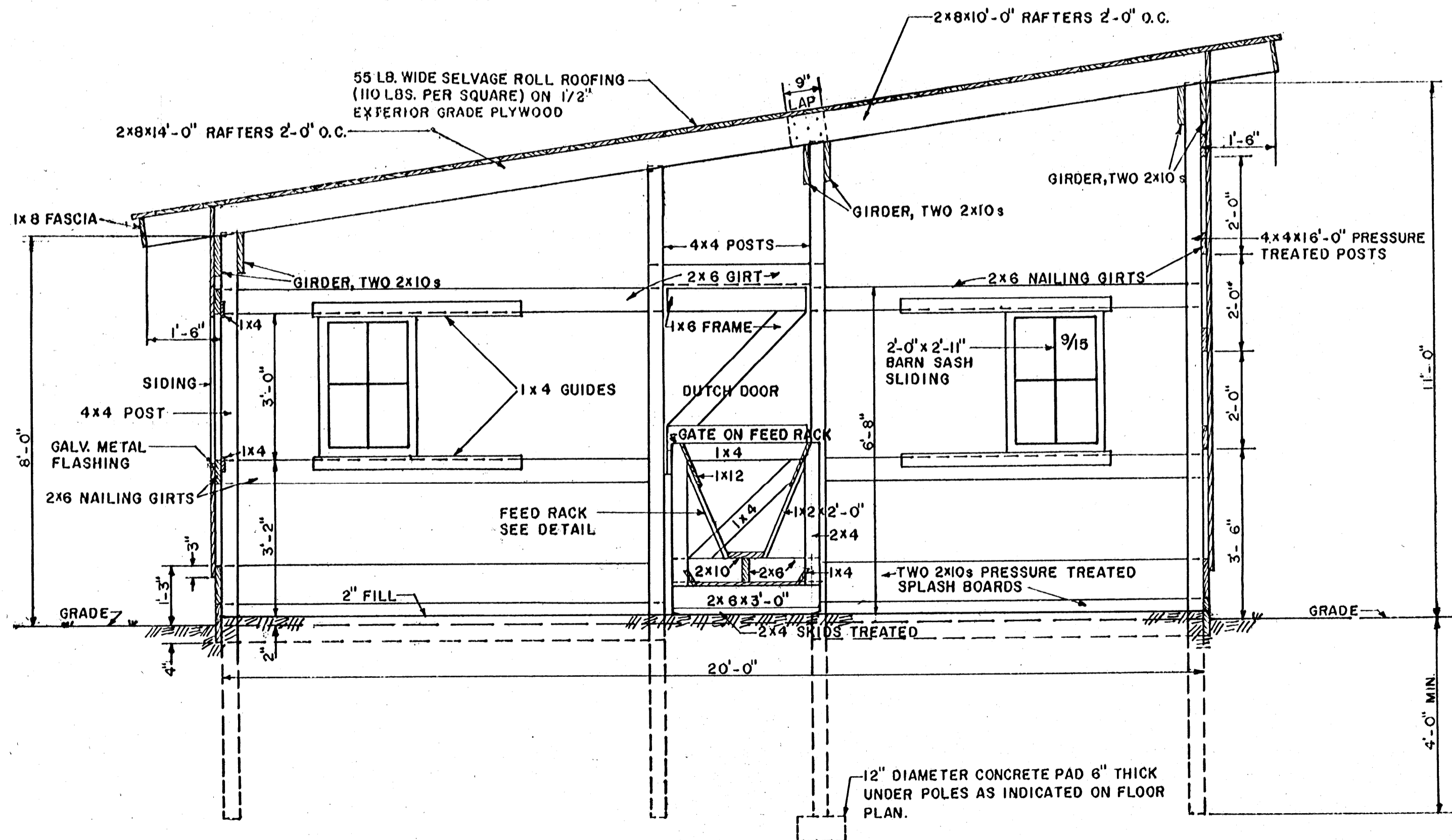
PERSPECTIVE VIEW
OF COMPLETED SHED



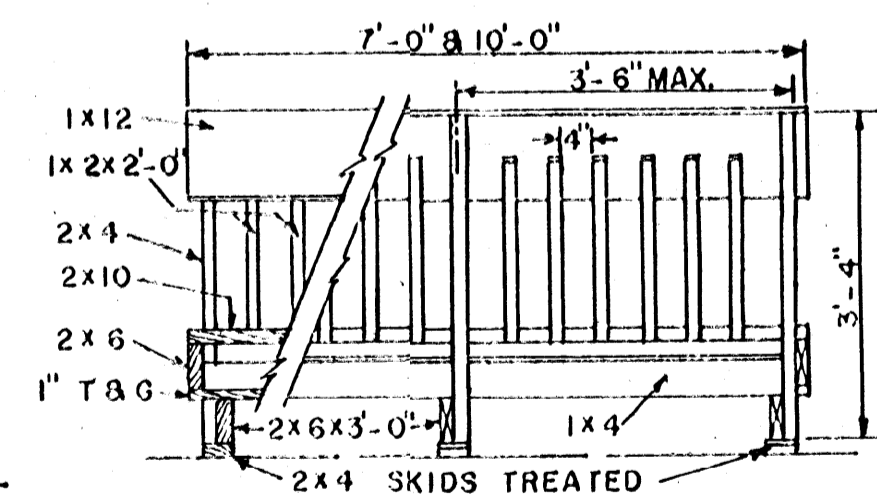
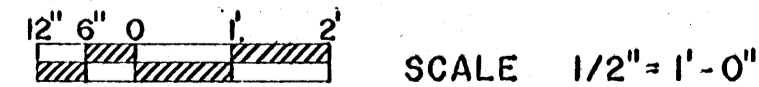
HINGED PANELS FOR TEMPORARY
LAMBING PENS



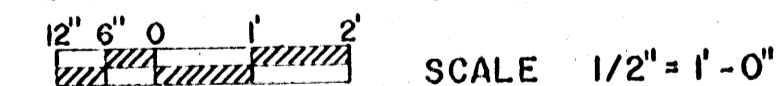
NAILING DETAIL
NO SCALE



SECTION A-A



DETAIL ELEVATION OF FEED RACKS



COOPERATIVE EXTENSION WORK IN
AGRICULTURE AND HOME ECONOMICS
STATE OF MISSISSIPPI
MISSISSIPPI STATE UNIVERSITY
AND
UNITED STATES DEPARTMENT OF AGRICULTURE COOPERATING

SHEEP AND LAMBING SHED

USDA '61 EX. 5919 SHEET 2 OF 2

REVISED '84