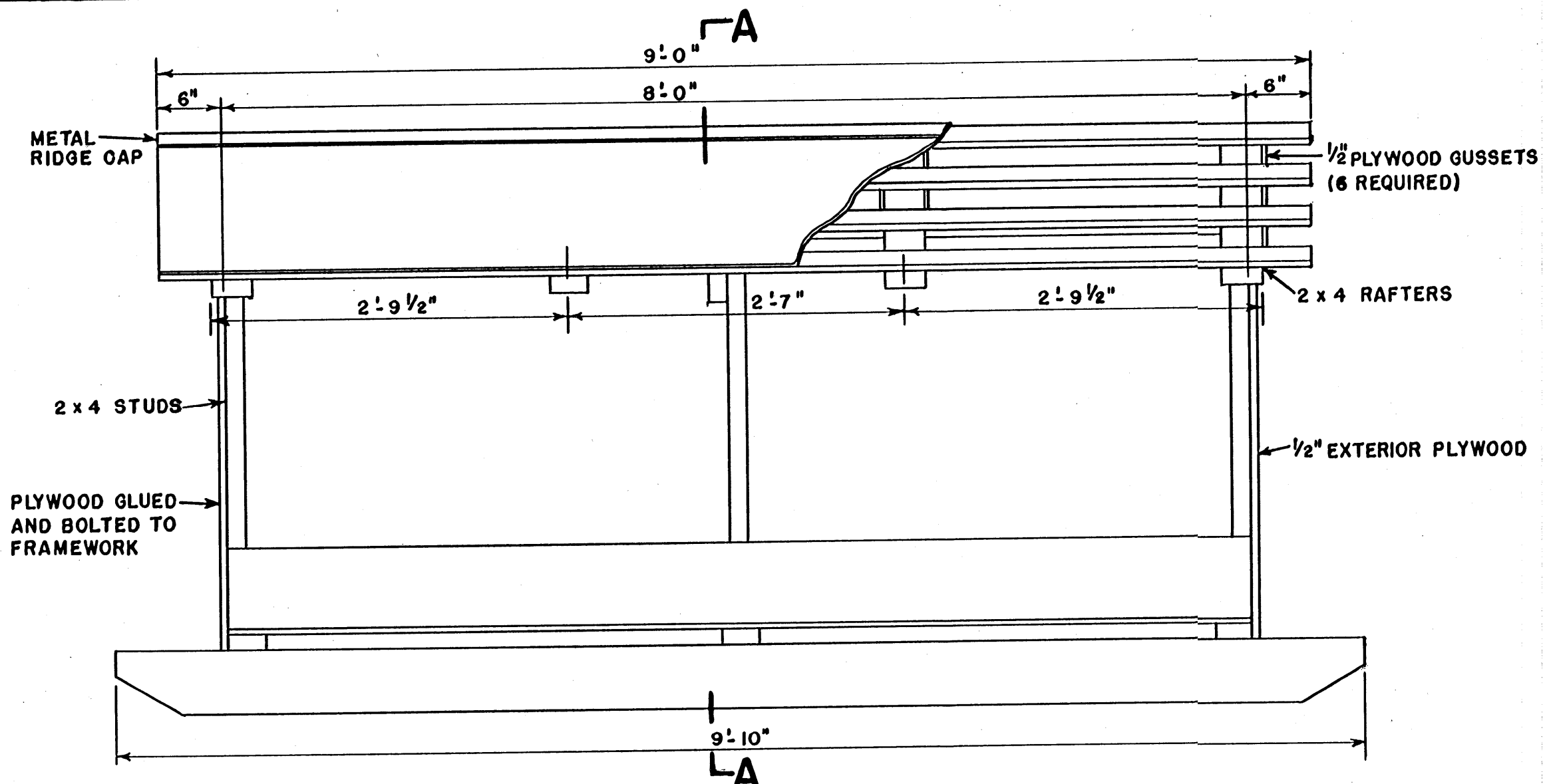
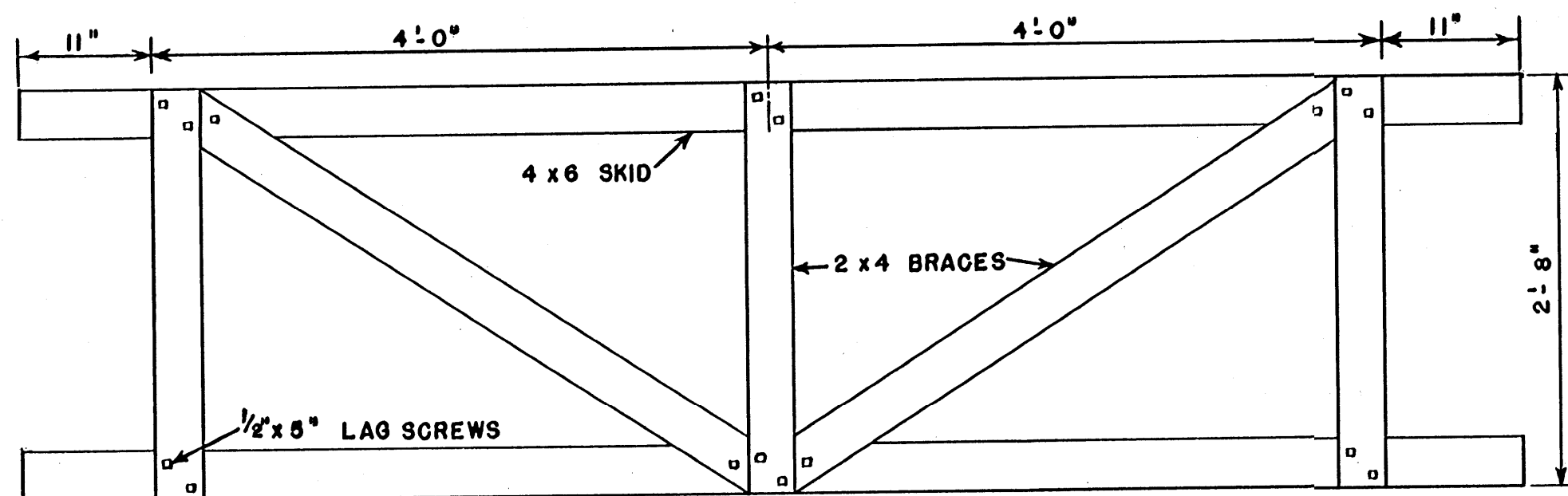


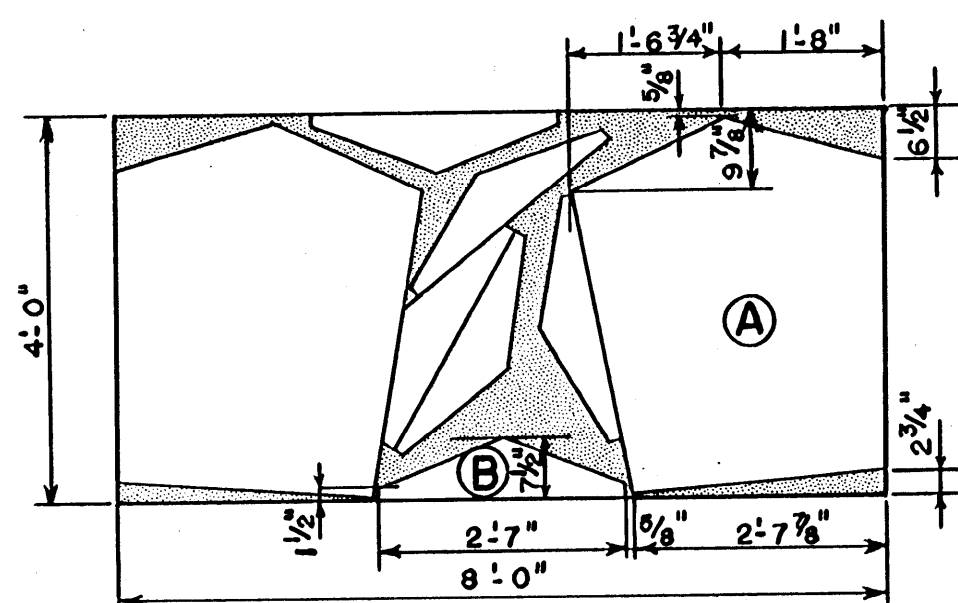
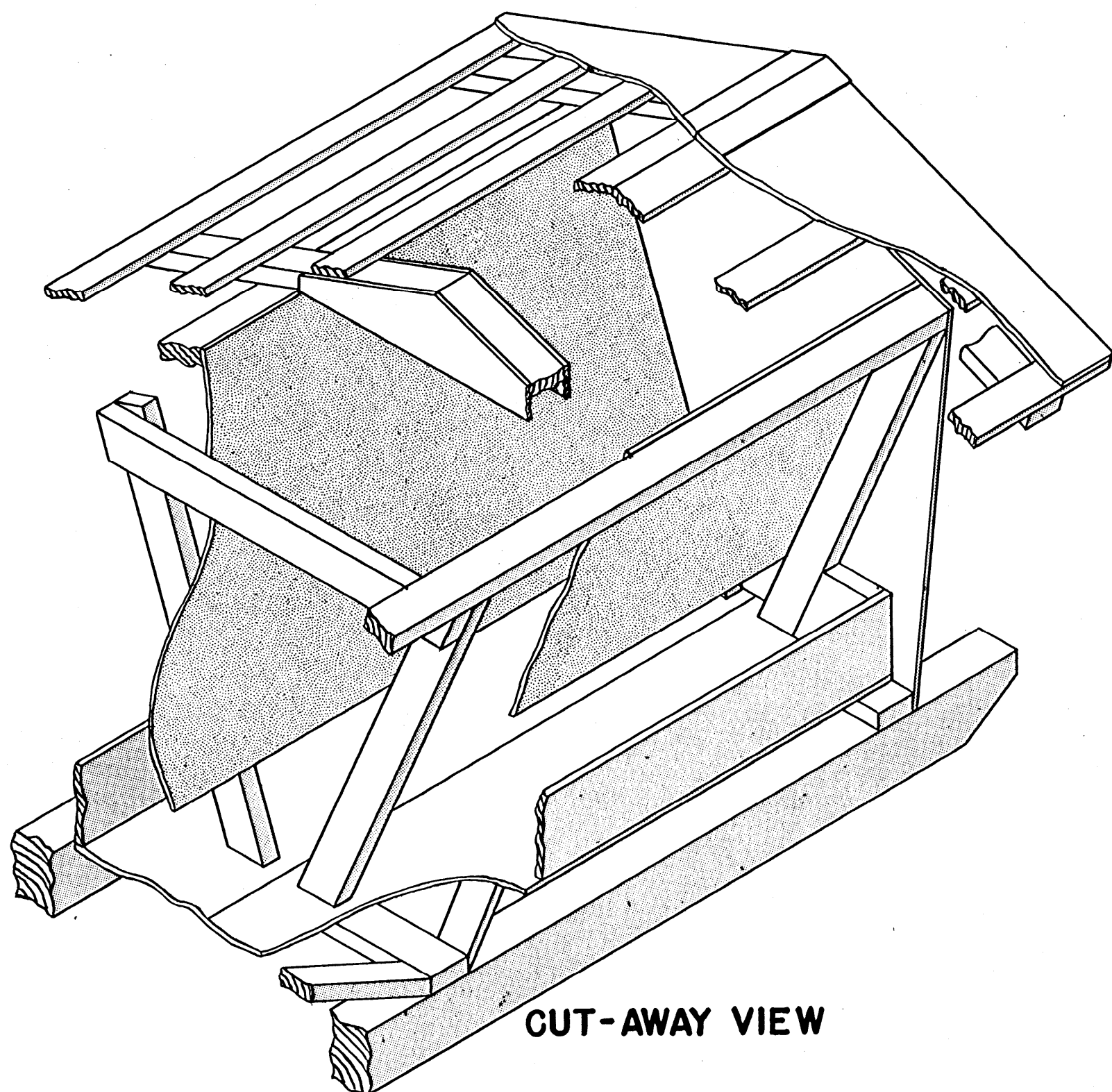
CROSS SECTION A-A



SIDE ELEVATION

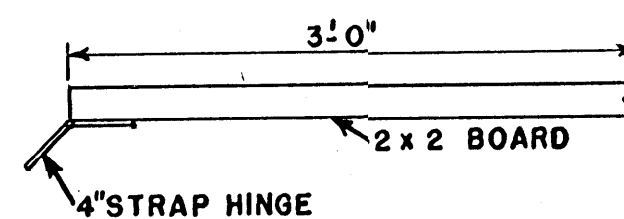


PLAN (SKIDS & BRACING)



CUTTING DIAGRAM FOR PLYWOOD

NOTE:
 CUT 1/2" EXTERIOR GRADE PLYWOOD AS SHOWN ON DIAGRAM ABOVE.
 ALL WOOD SHOULD BE TREATED WITH A NON-TOXIC PRESERVATIVE.



NOTE: NON-CORROSIVE FASTENINGS SHOULD BE USED THRU-OUT.

COOPERATIVE EXTENSION WORK IN AGRICULTURE AND HOME ECONOMICS
 STATE OF MISSISSIPPI
 MISSISSIPPI STATE UNIVERSITY
 AND
 UNITED STATES DEPARTMENT OF AGRICULTURE COOPERATING

PORTABLE SELF-FEEDER FOR SHEEP

CAL. '60 EX. 5914 SHEET 1 OF 1