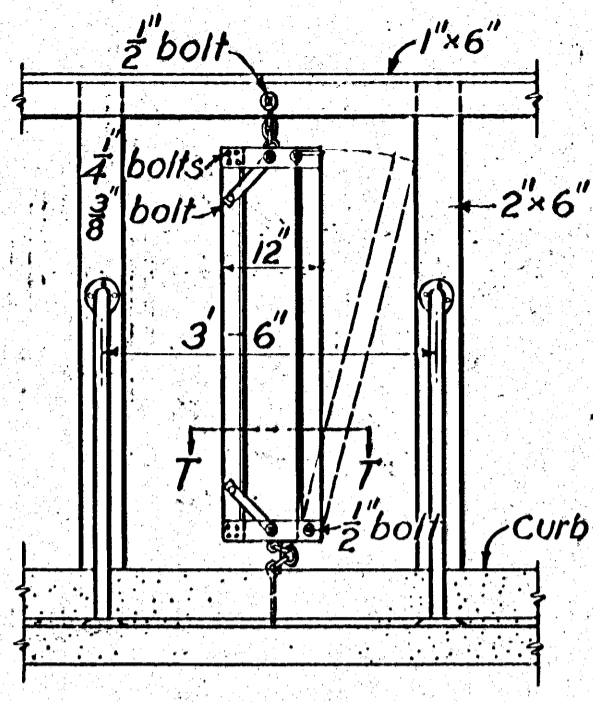
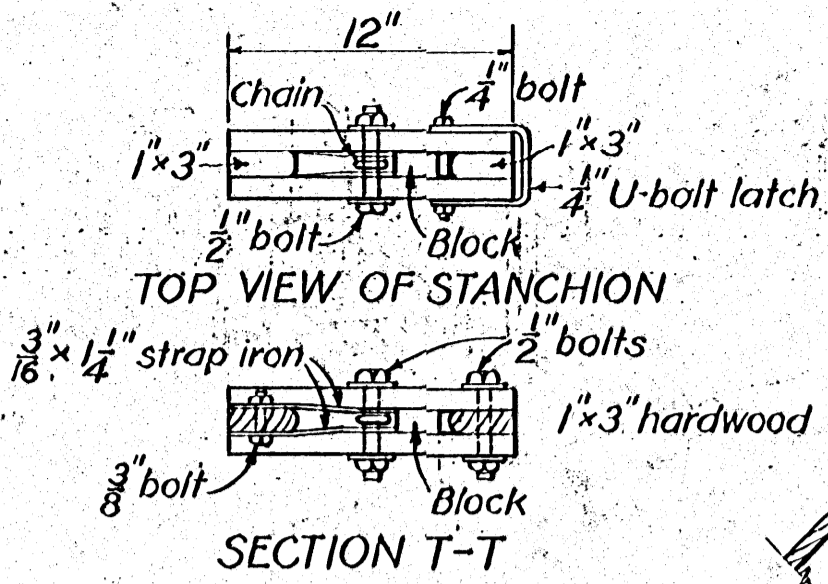


CROSS SECTION

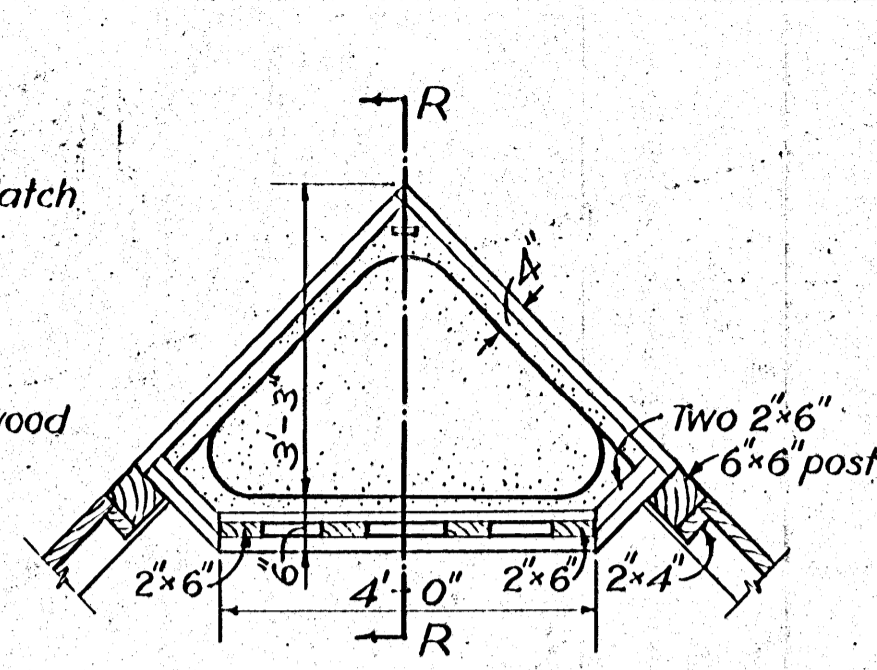


ELEVATION

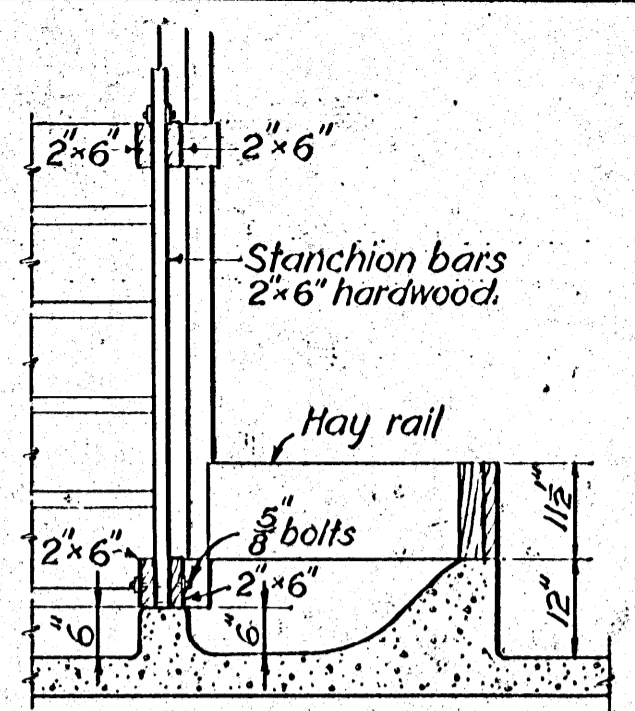


TOP VIEW OF STANCHION

SECTION T-T

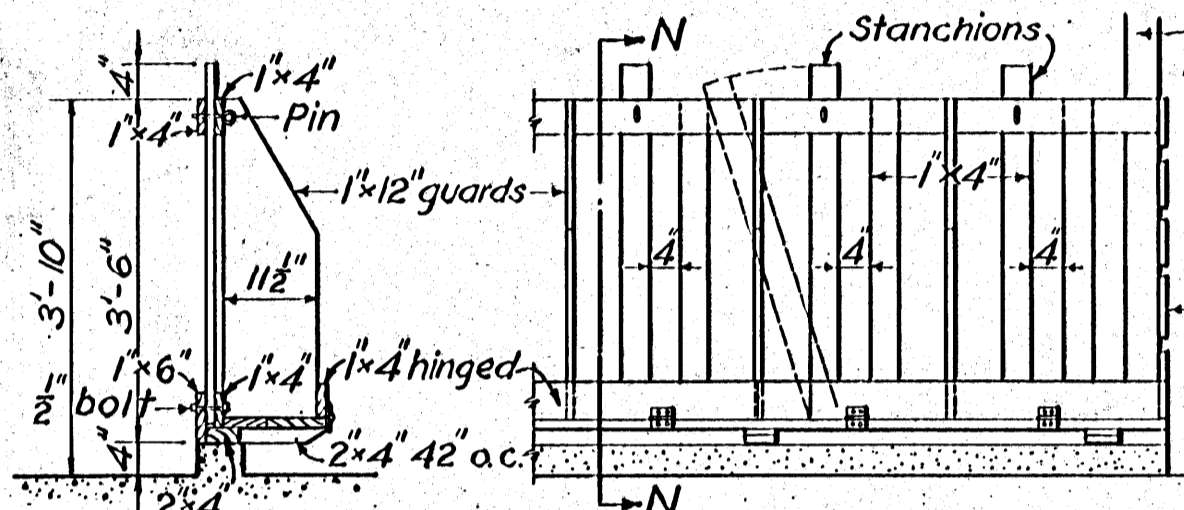


PLAN AT MANGER



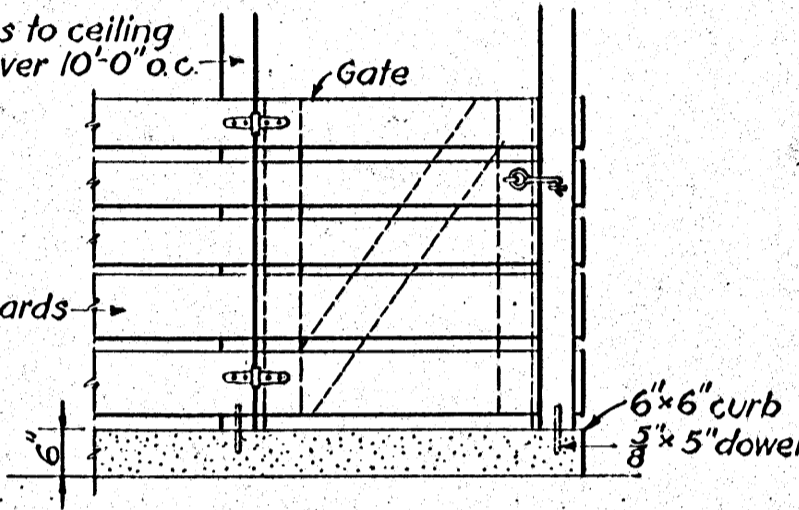
SECTION R-R

WOOD COW STALL AND STANCHION



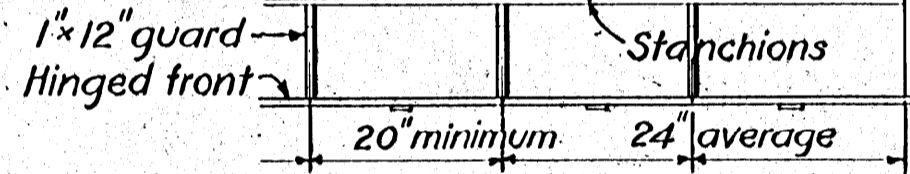
SECTION N-N

ELEVATION AT MANGER



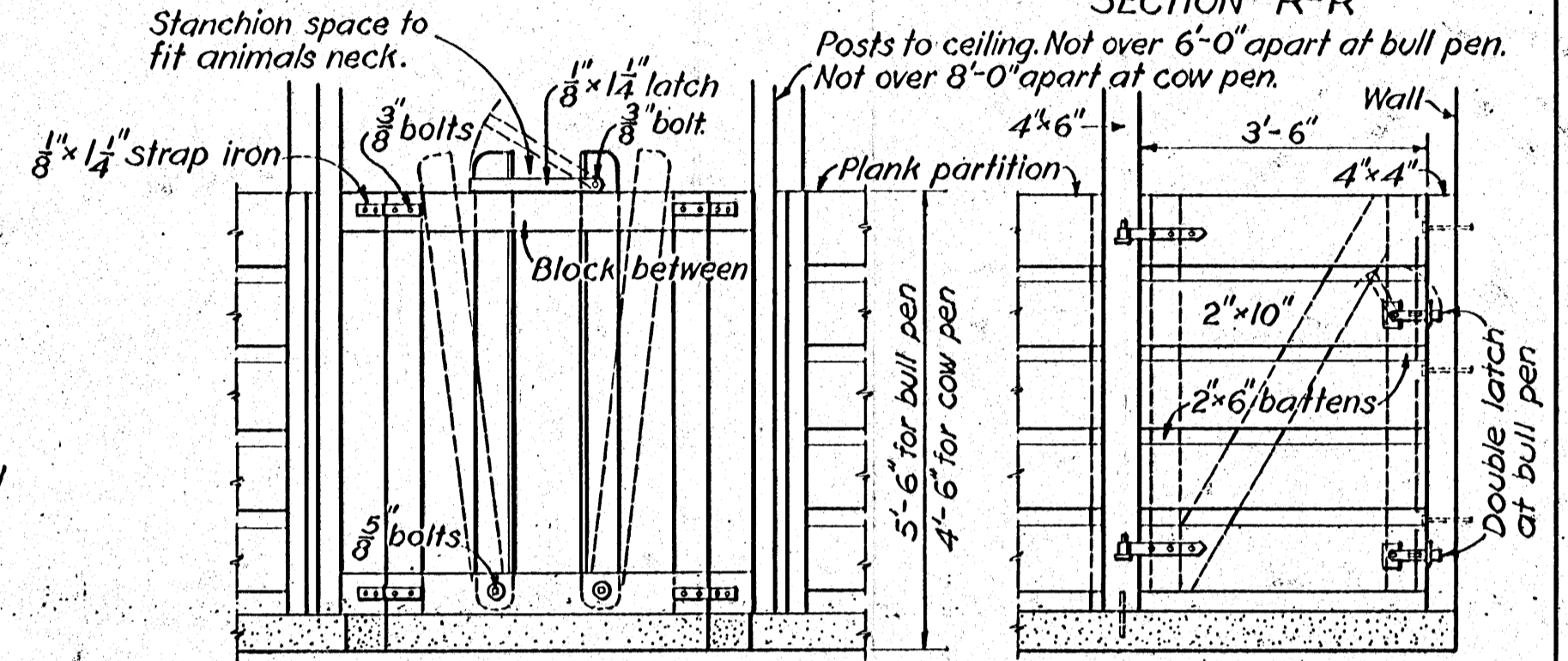
ELEVATION AT GATE

PLAN AT GATE



PLAN AT MANGER

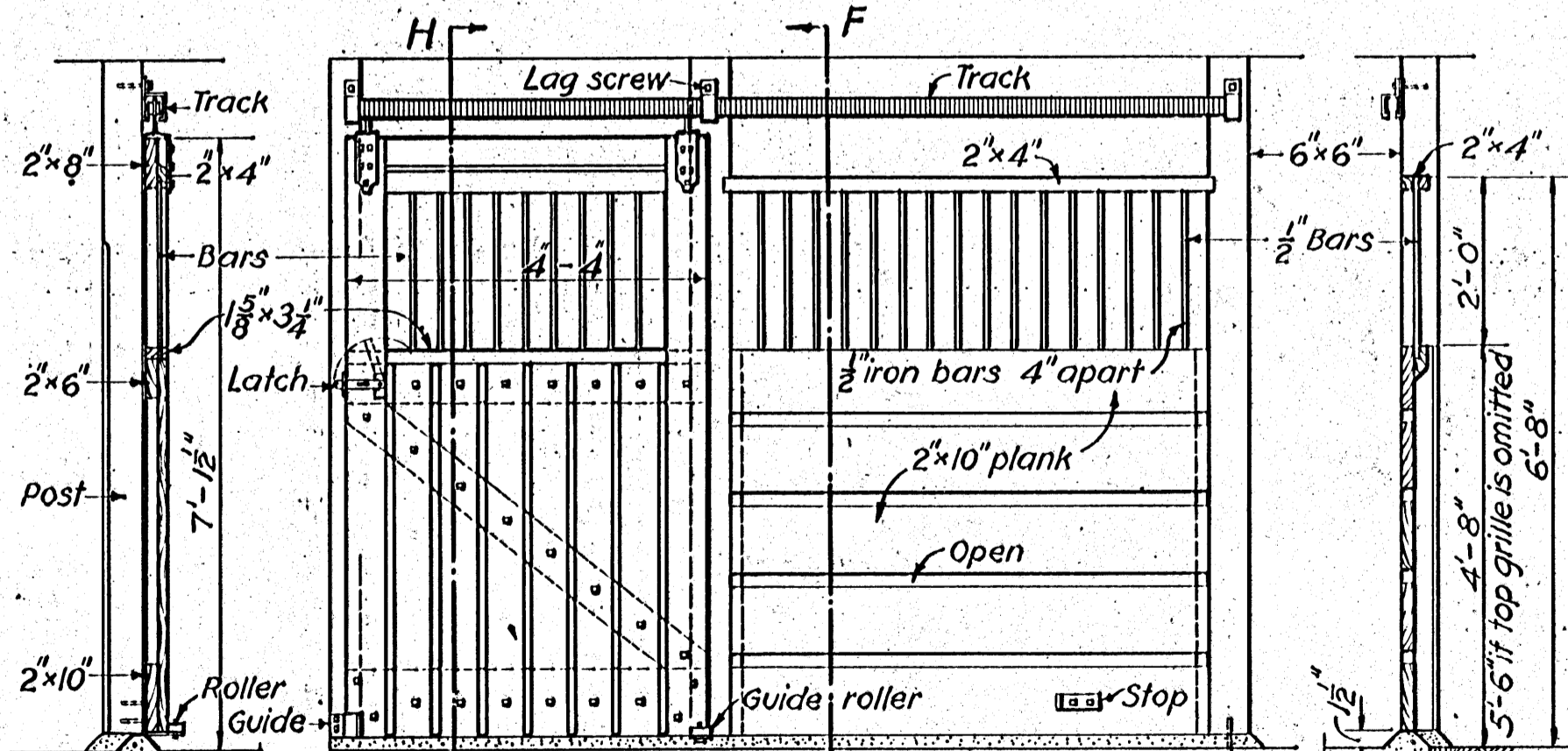
CALF PEN



INTERIOR ELEVATION SHOWING STANCHION

ELEVATION AT GATE

COW AND BULL PENS

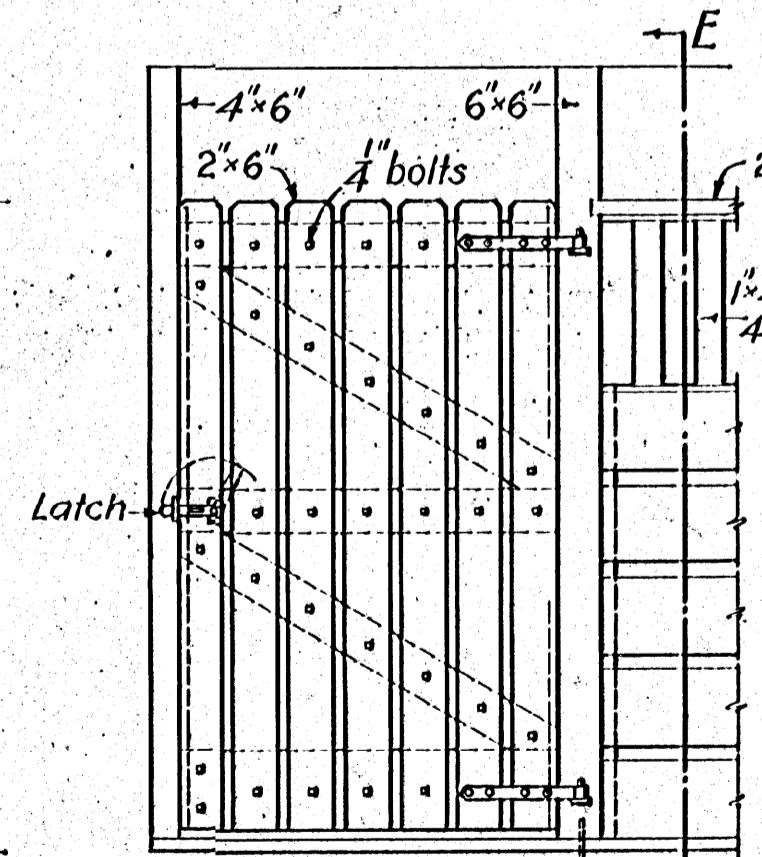


SECTION H-H

EXTERIOR ELEVATION

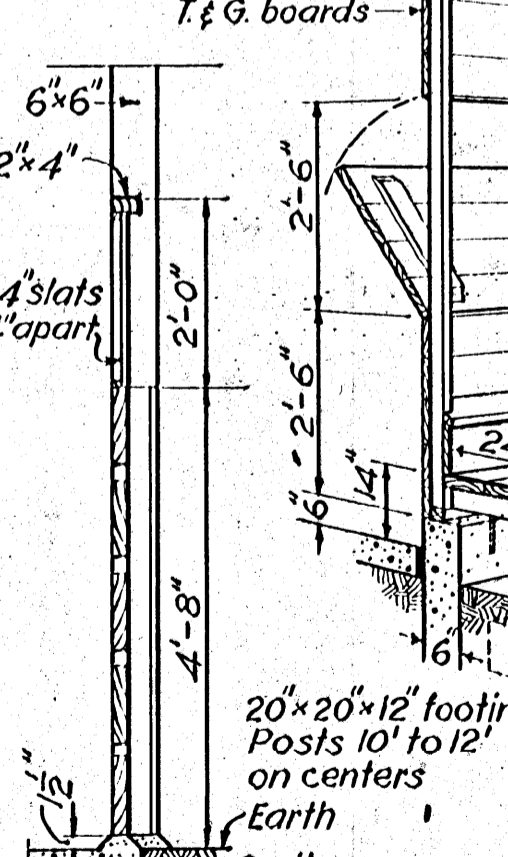
SECTION F-F

PLAN



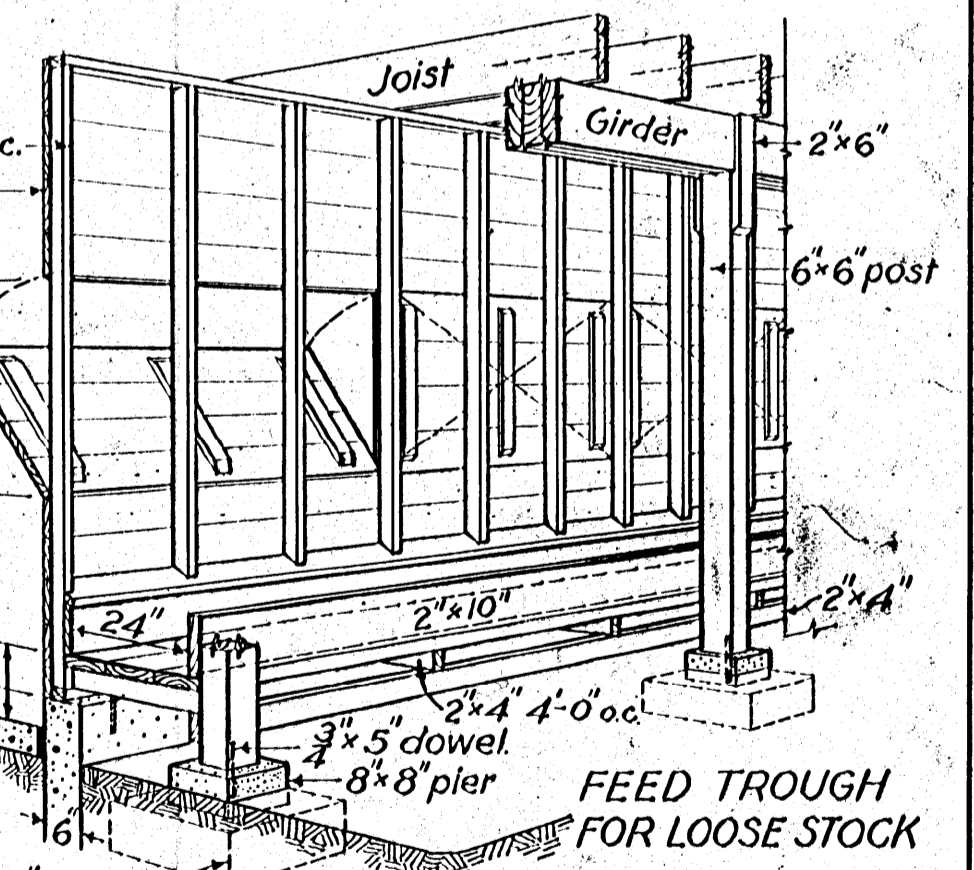
EXTERIOR ELEVATION

PLAN



SECTION E-E

Scale 1/2" = 1'-0"



FEED TROUGH FOR LOOSE STOCK

WITH SLIDING GATE

HORSE BOX STALLS

WITH SWINGING GATE

COOPERATIVE EXTENSION WORK IN AGRICULTURE AND HOME ECONOMICS
STATE OF MISSISSIPPI
MISSISSIPPI STATE UNIVERSITY
U.S. DEPT. OF AGRICULTURE COOPERATING.

HORSE, COW & CALF STALL DETAILS.

USDA. EX. 5107. SHEET. OF. 720.